

***H. Wilson WT34C4E-N Black 34"  
High Tuffy Utility A/V Cart with  
Cabinet (3-Shelf Nickel Legs)***

Instruction Manual



*Provided by*

**MyBinding.com**  
*When Image Matters.*

Call Us at 1-800-944-4573

[www.luxorfurn.com](http://www.luxorfurn.com)  
[www.hwilson.com](http://www.hwilson.com)

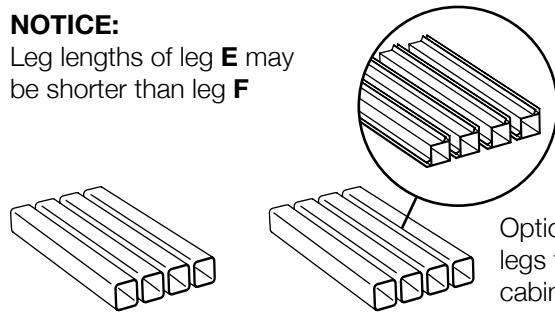
### Parts List

### Tools Required

- Rubber Mallet

#### NOTICE:

Leg lengths of leg **E** may be shorter than leg **F**

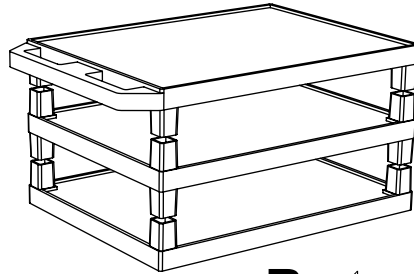


**E** x4

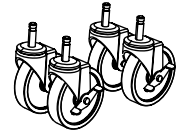
**F** x4

Optional fluted legs for units with cabinet pack

**A** x1



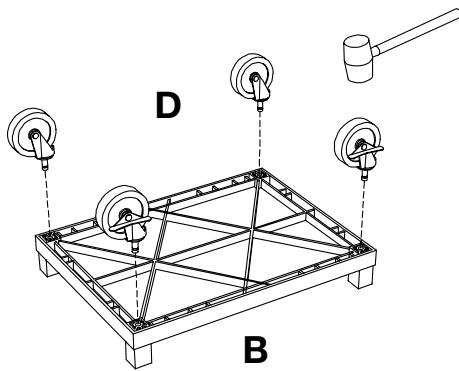
**C** x1



**D** x4

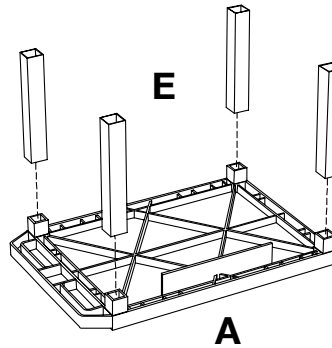
**B** x1

**1**

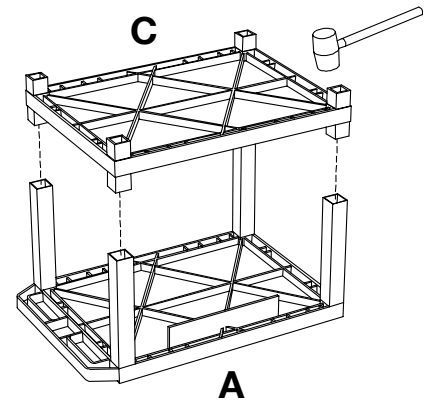


**2**

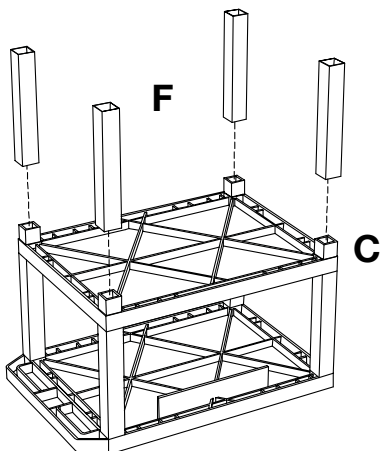
Install optional cabinet pack / pullout shelf / locking drawer assembly after step 1



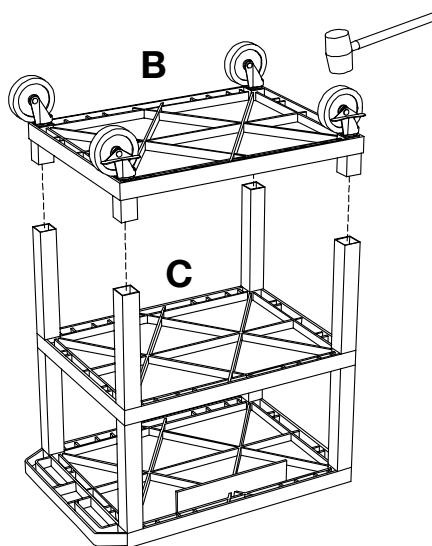
**3**



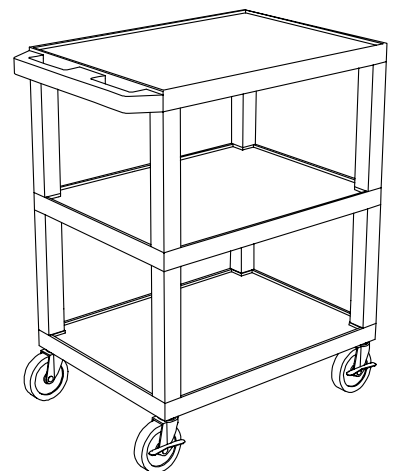
**4**



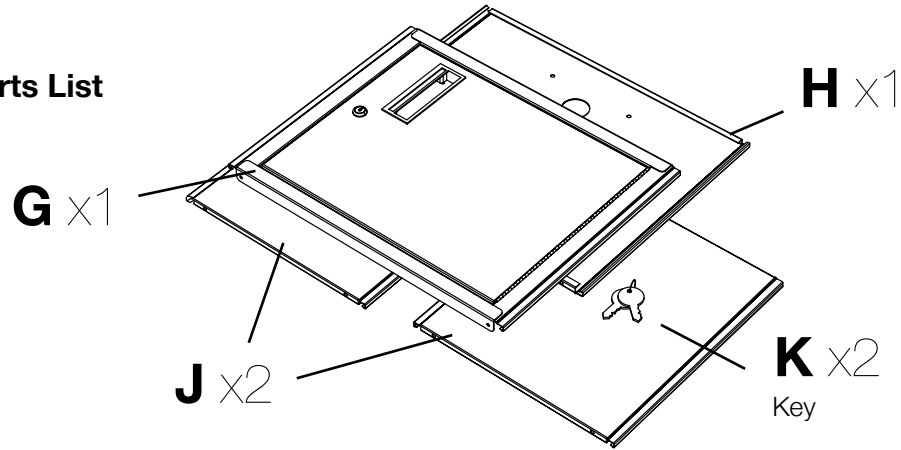
**5**



**6**



## Parts List



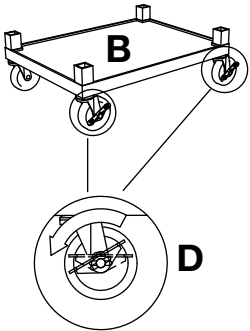
## Tools Required

- Rubber Mallet

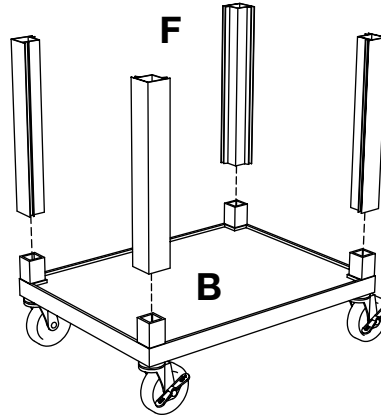
## Tuffy Cart Cabinet Pack Instructions

Please consult your Tuffy cart base unit instructions before starting

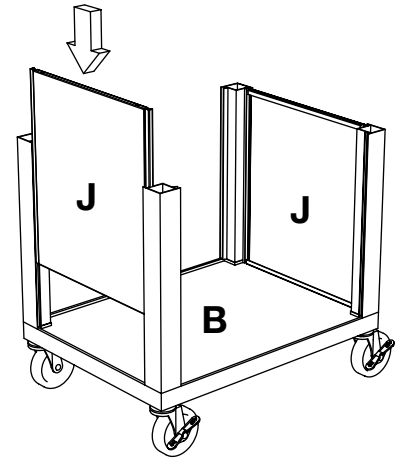
- 1** **IMPORTANT:** Flip shelf **B**, and lock the 2 locking casters **D** before assembling the unit.



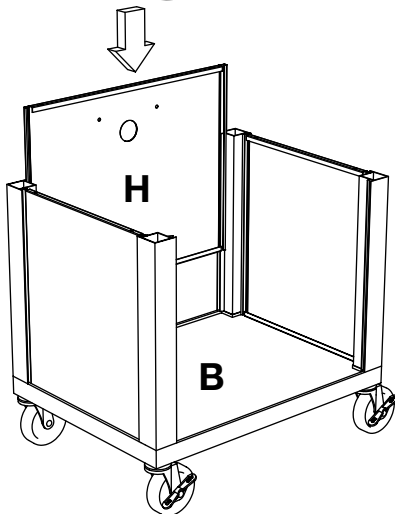
**2**



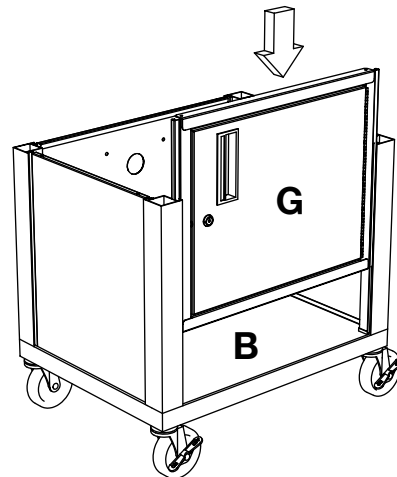
**3**



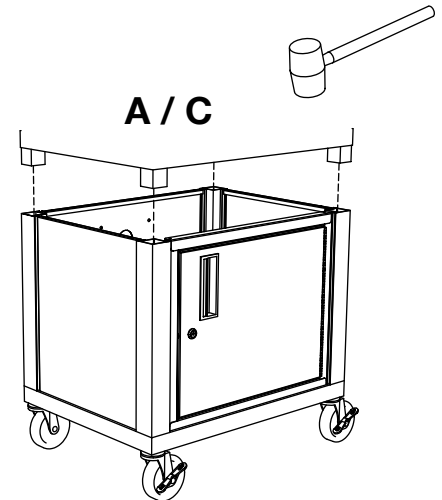
**4**



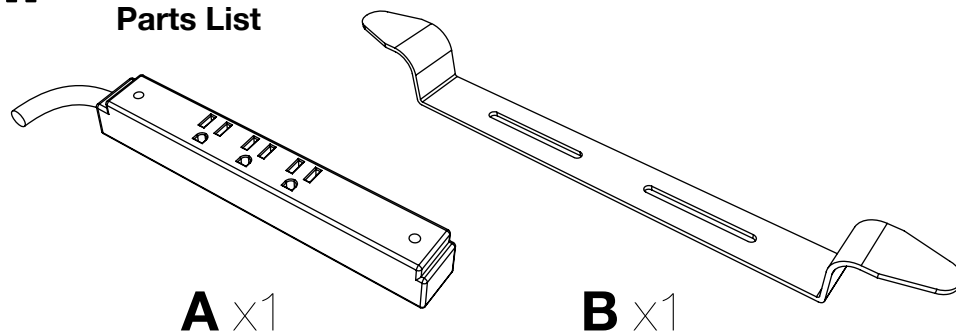
**5**



**6**

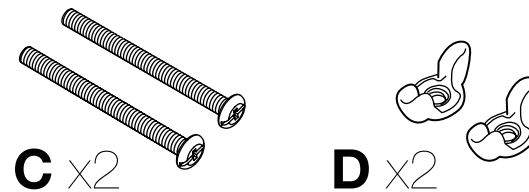


## Parts List



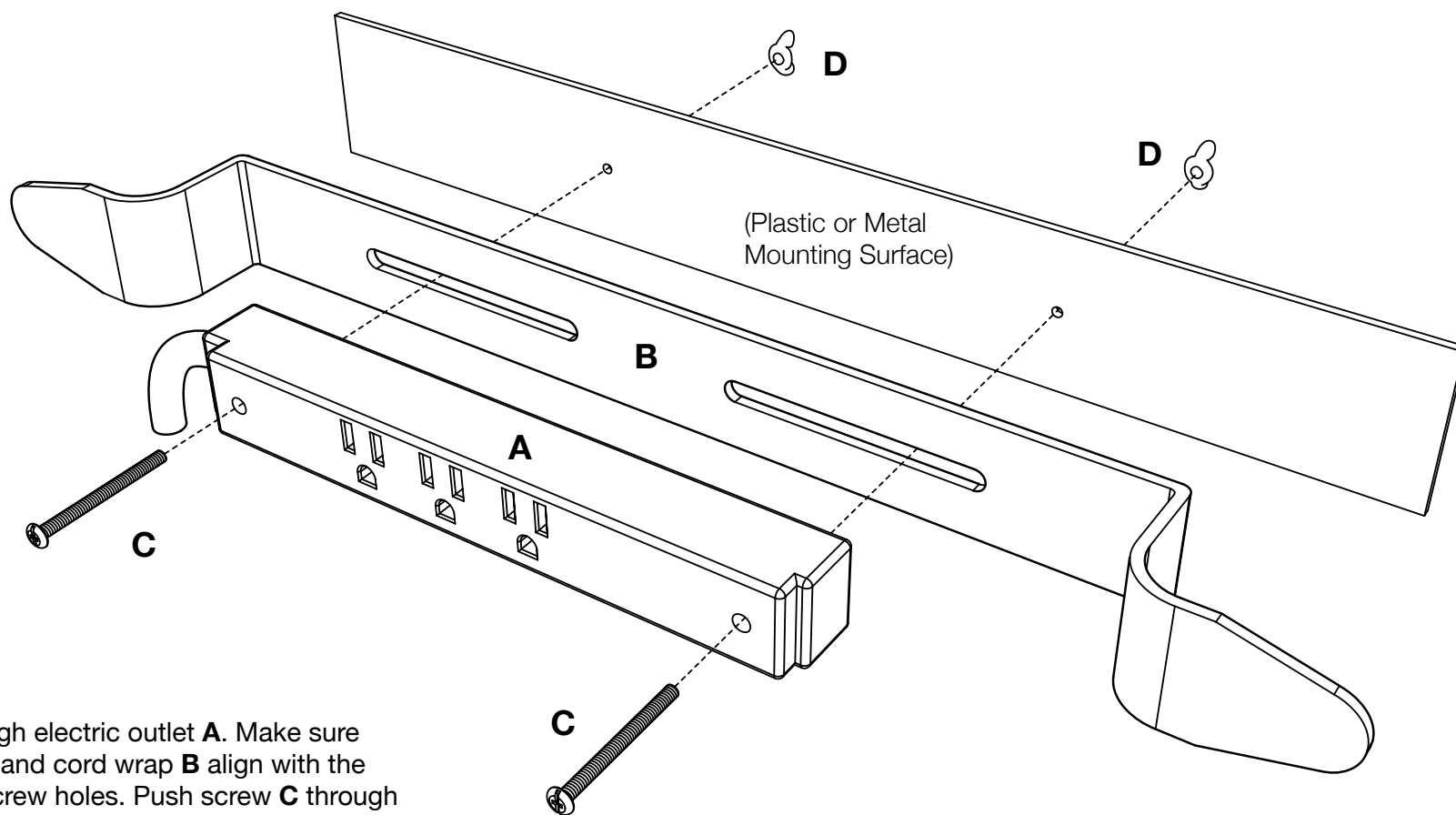
## Tools Required

- Screwdriver



## Electric Assembly Instructions

Number of outlets may vary.



**1**

Push screw **C** through electric outlet **A**. Make sure the electric outlet **A** and cord wrap **B** align with the mounting surface screw holes. Push screw **C** through cord wrap **B** and the mounting surface screw holes. Use wing nut **D** and screwdriver to fasten.