

***H. Wilson WT34GYE-B Gray
34" High Tuffy Utility A/V
Cart (3-Shelf Black Legs)***

Instruction Manual



Provided by

MyBinding.com

When Image Matters.

Call Us at 1-800-944-4573

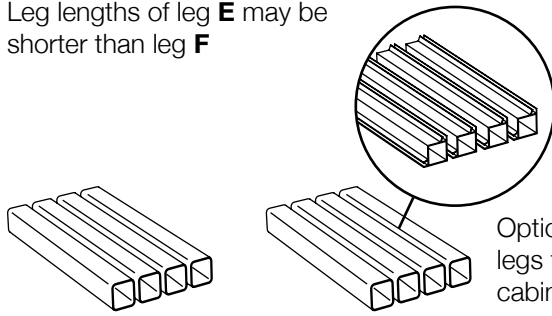
Parts List

Tools Required

- Rubber Mallet

NOTICE:

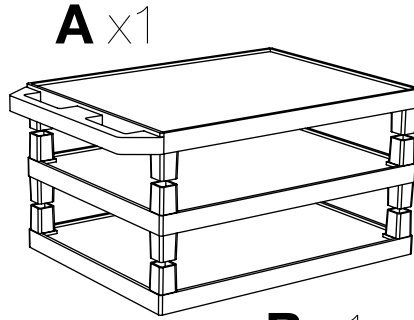
Leg lengths of leg **E** may be shorter than leg **F**



E x4

F x4

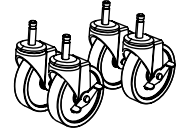
Optional fluted legs for units with cabinet pack



A x1

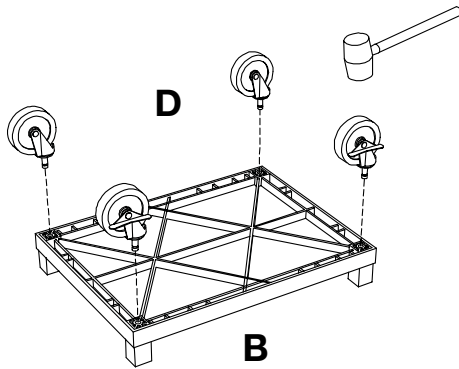
B x1

C x1



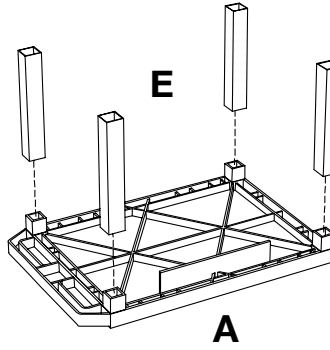
D x4

1

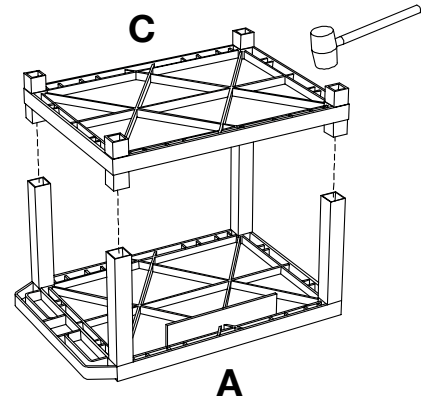


2

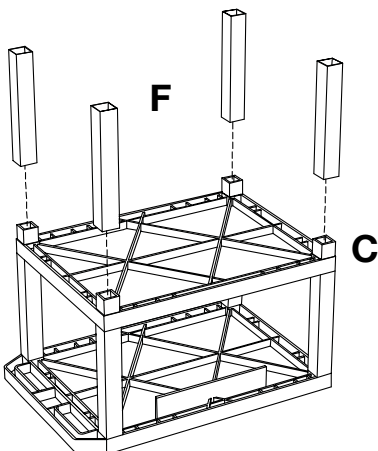
Install optional cabinet pack / pullout shelf / locking drawer assembly after step 1



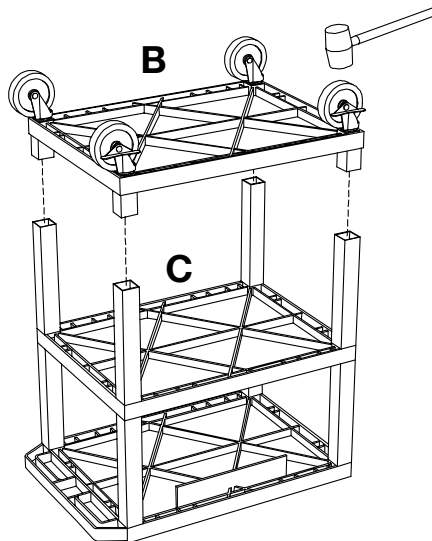
3



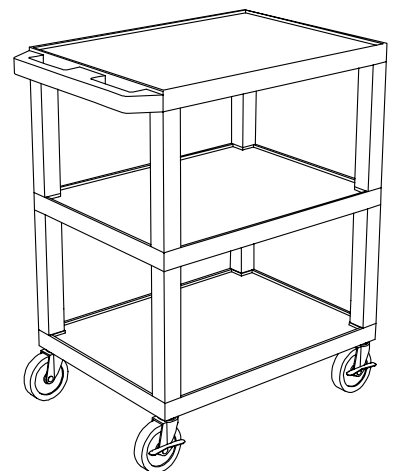
4



5



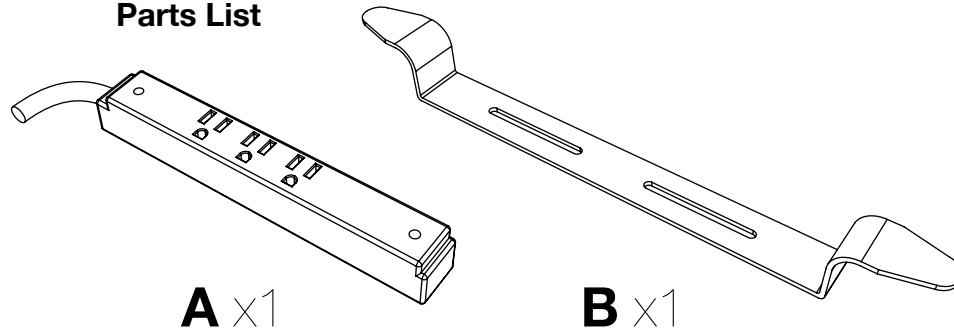
6



Electric Assembly Instructions

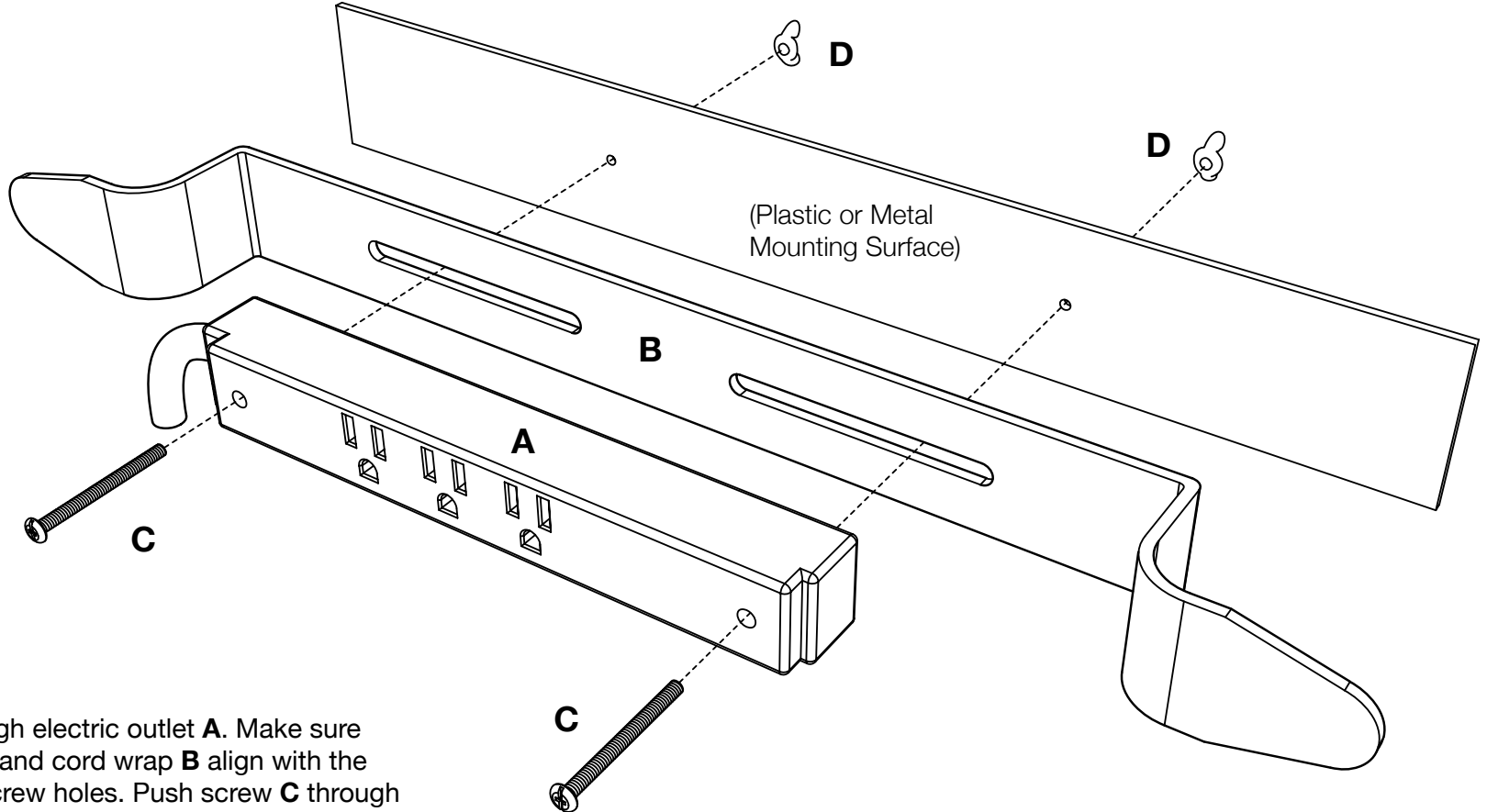
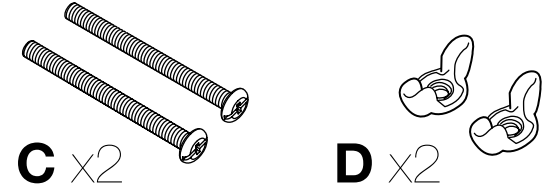
Number of outlets may vary.

Parts List



Tools Required

- Screwdriver



1

Push screw **C** through electric outlet **A**. Make sure the electric outlet **A** and cord wrap **B** align with the mounting surface screw holes. Push screw **C** through cord wrap **B** and the mounting surface screw holes. Use wing nut **D** and screwdriver to fasten.