

H. Wilson WT34PE-B Purple 34" High Tuffy Utility A/V Cart (3-Shelf Black Legs)

Instruction Manual



Provided by

MyBinding.com
When Image Matters.

Call Us at 1-800-944-4573

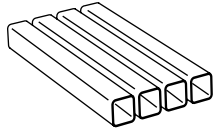
Parts List

Tools Required

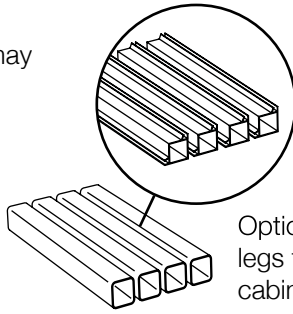
- Rubber Mallet

NOTICE:

Leg lengths of leg **E** may be shorter than leg **F**



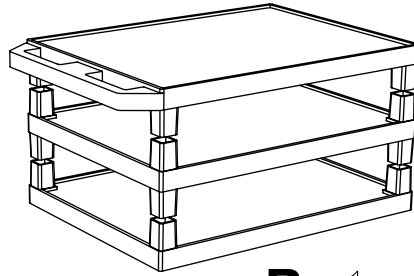
E x4



F x4

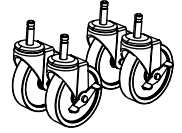
Optional fluted legs for units with cabinet pack

A x1



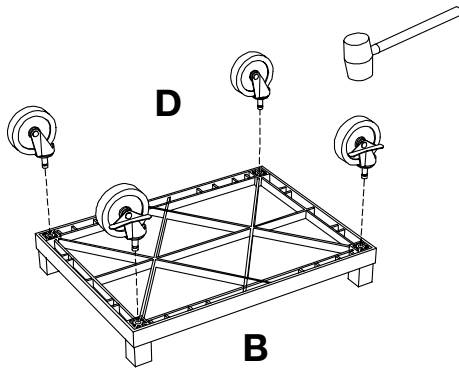
B x1

C x1



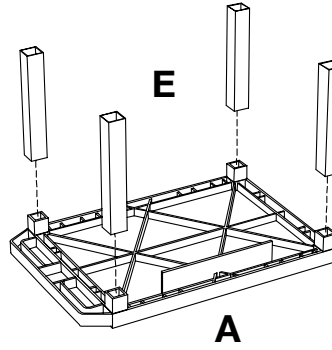
D x4

1

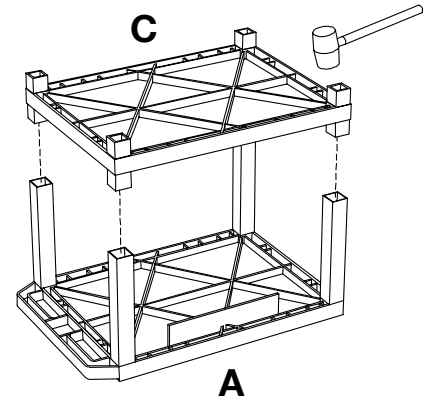


2

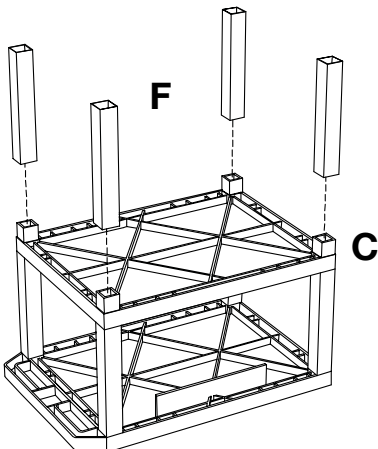
Install optional cabinet pack / pullout shelf / locking drawer assembly after step 1



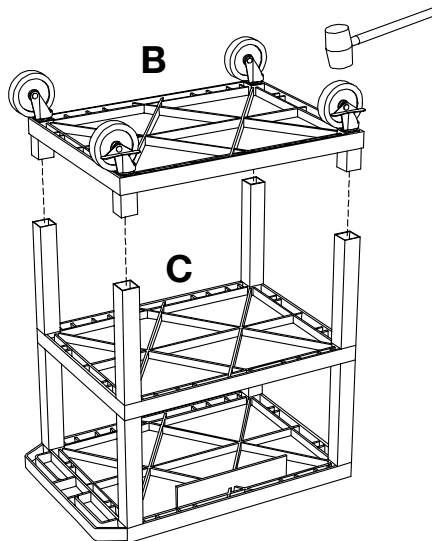
3



4



5



6

