

***H. Wilson Tuffy WT42BUC2E-B
Blue 42" High Tuffy Utility A/V
Cart with Cabinet
(3-Shelf Black Legs)***

Instruction Manual



Provided by

MyBinding.com

When Image Matters.

Call Us at 1-800-944-4573

NOTICE:

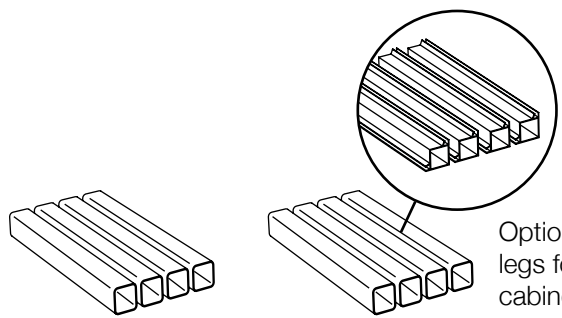
Leg lengths of leg **E** may be shorter than leg **F**

Parts List

Tools Required

- Rubber Mallet

Call Us at
1-800-944-4573
for Orders or Inquiries

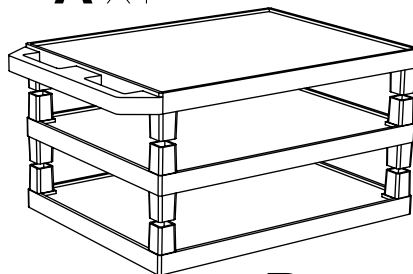


E x4

F x4

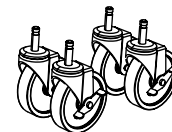
Optional fluted legs for units with cabinet pack

A x1



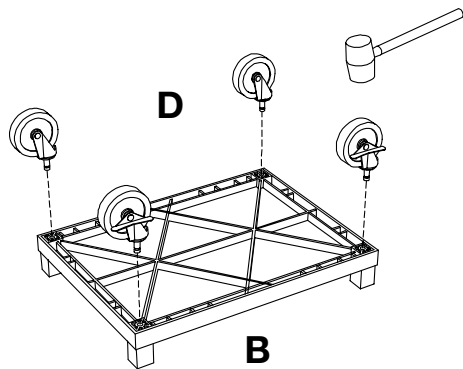
C x1

B x1



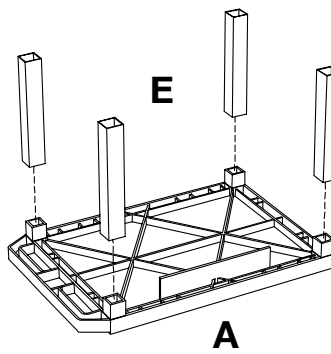
D x4

1

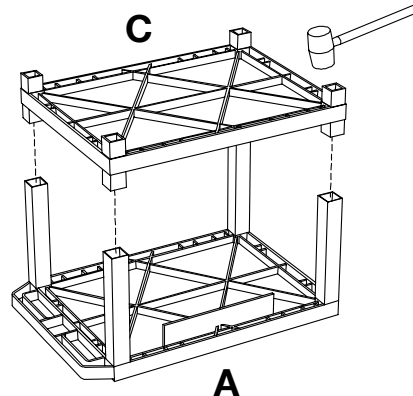


2

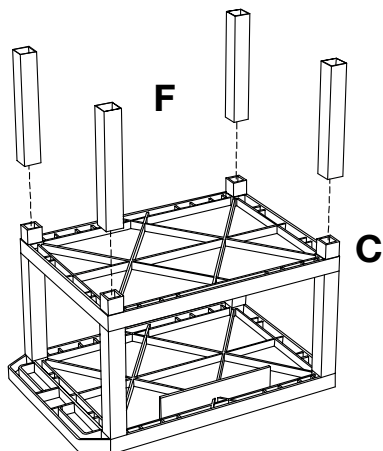
Install optional cabinet pack / pullout shelf / locking drawer assembly after step 1



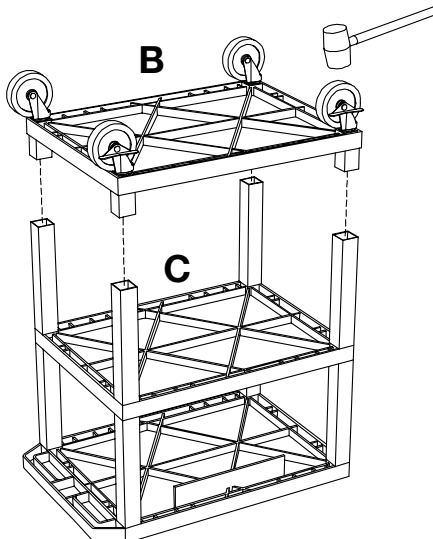
3



4



5



6

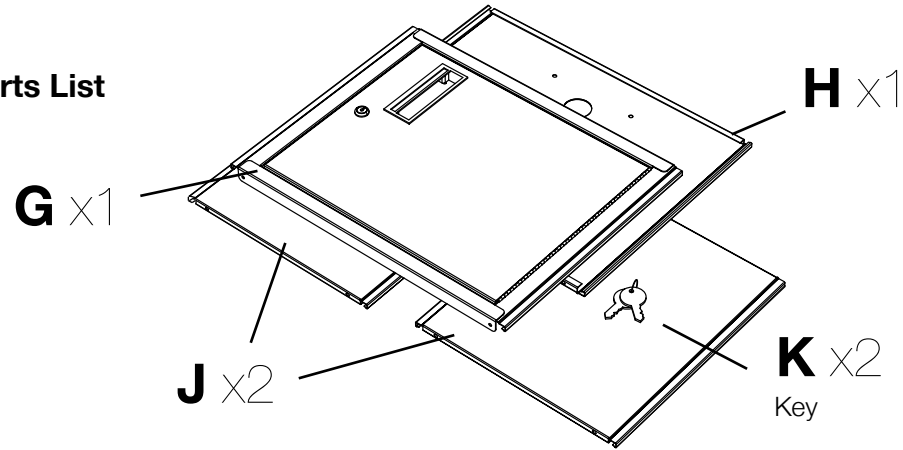


Tuffy Cart Cabinet

Pack Instructions

Please consult your Tuffy cart base unit instructions before starting

Parts List



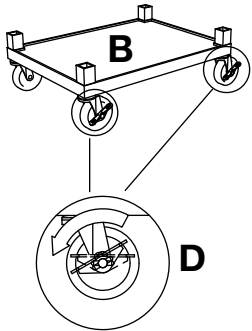
Tools Required

- Rubber Mallet

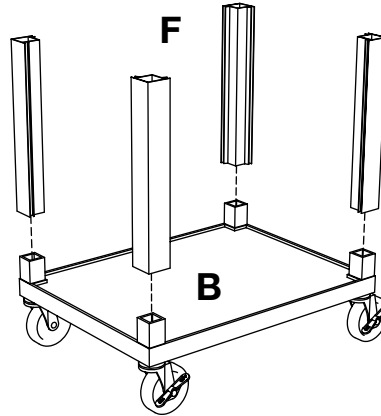
Call Us at
1-800-944-4573
for Orders or Inquiries

1

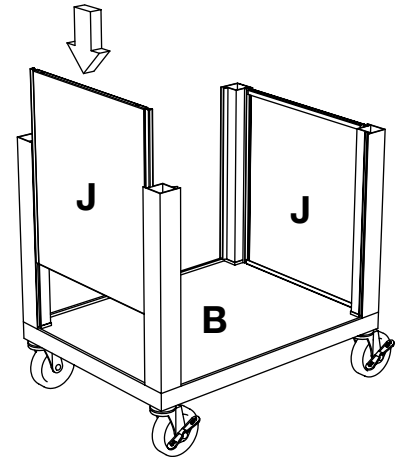
IMPORTANT: Flip shelf **B**, and lock the 2 locking casters **D** before assembling the unit.



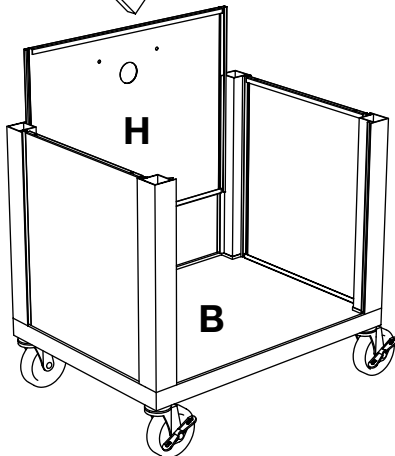
2



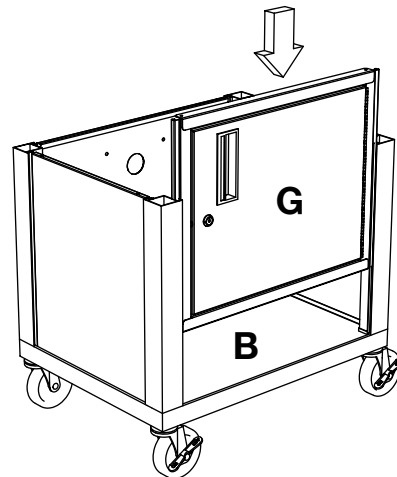
3



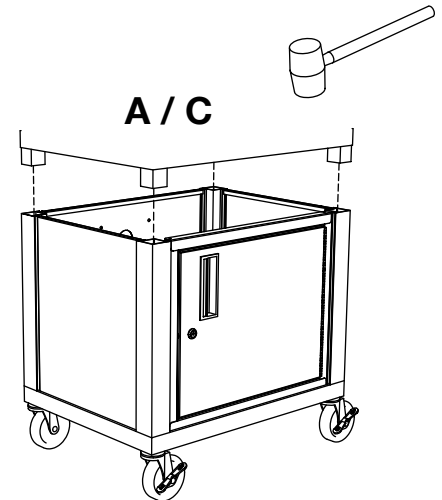
4



5



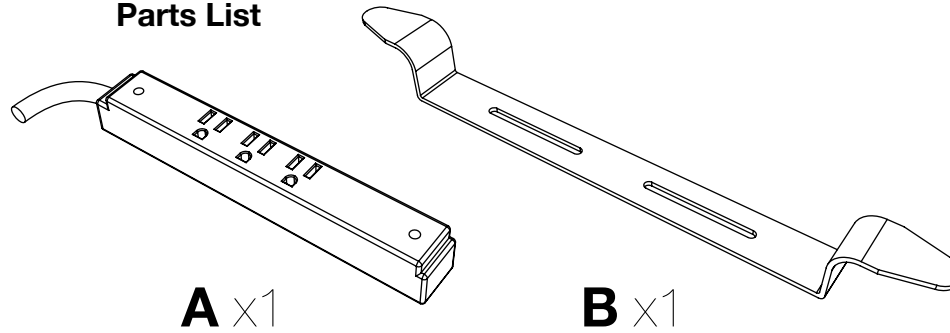
6



Electric Assembly Instructions

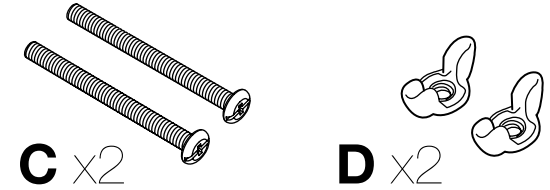
Number of outlets
may vary.

Parts List

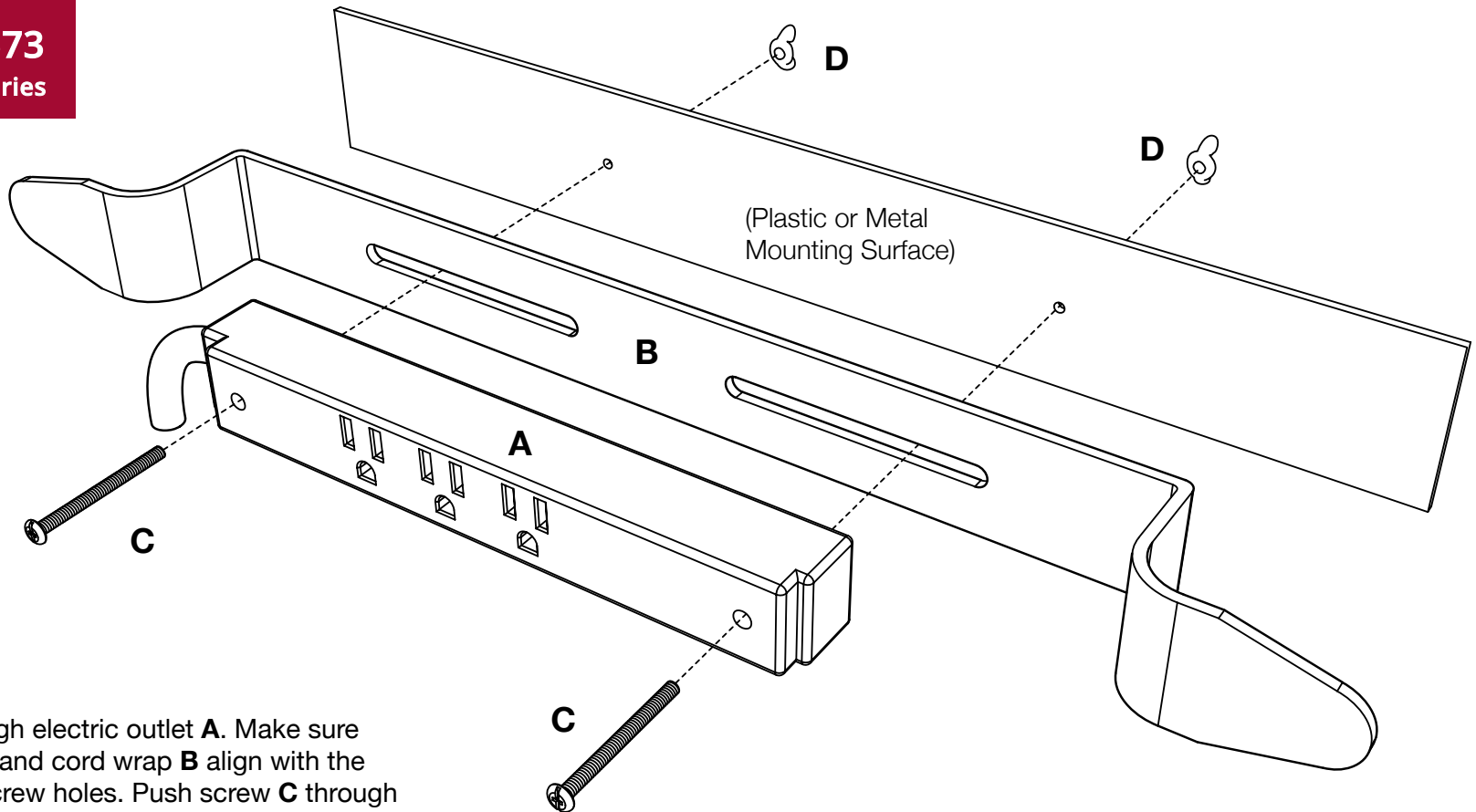


Tools Required

- Screwdriver



Call Us at
1-800-944-4573
for Orders or Inquiries



1

Push screw **C** through electric outlet **A**. Make sure the electric outlet **A** and cord wrap **B** align with the mounting surface screw holes. Push screw **C** through cord wrap **B** and the mounting surface screw holes. Use wing nut **D** and screwdriver to fasten.