

***H. Wilson Tuffy WT42C2E  
Black 42" High Tuffy Utility  
A/V Cart with Cabinet  
(3-Shelf Black Legs)***

Instruction Manual



Provided by

**MyBinding.com**  
When Image Matters.

Call Us at 1-800-944-4573

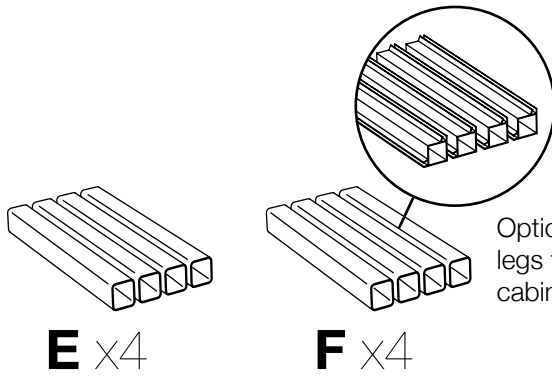
### NOTICE:

Leg lengths of leg **E** may be shorter than leg **F**

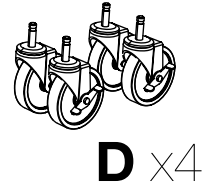
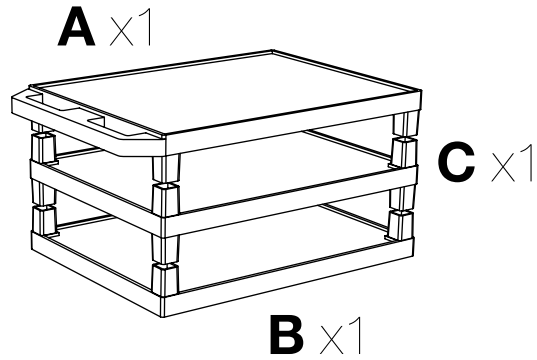
### Parts List

### Tools Required

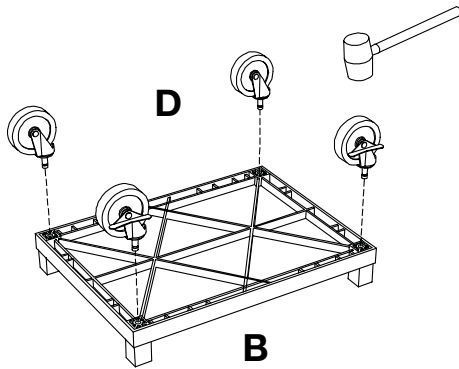
- Rubber Mallet



Optional fluted legs for units with cabinet pack

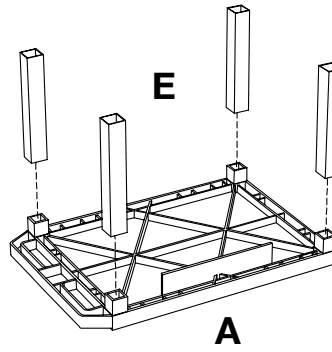


**1**

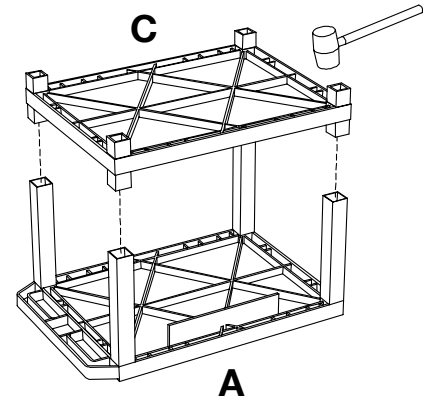


**2**

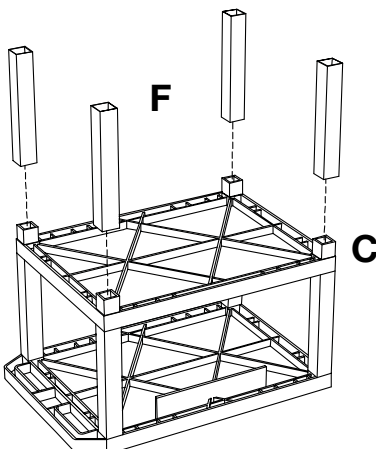
Install optional cabinet pack / pullout shelf / locking drawer assembly after step 1



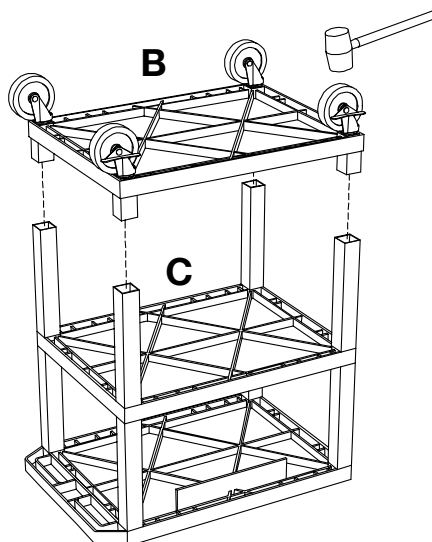
**3**



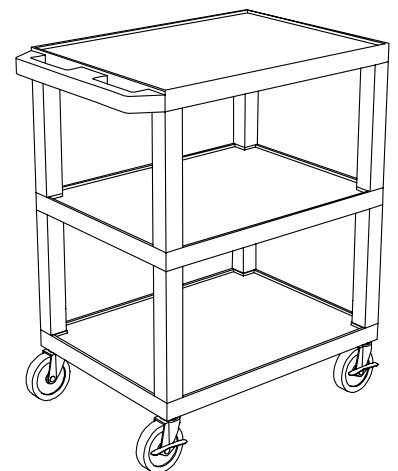
**4**



**5**



**6**

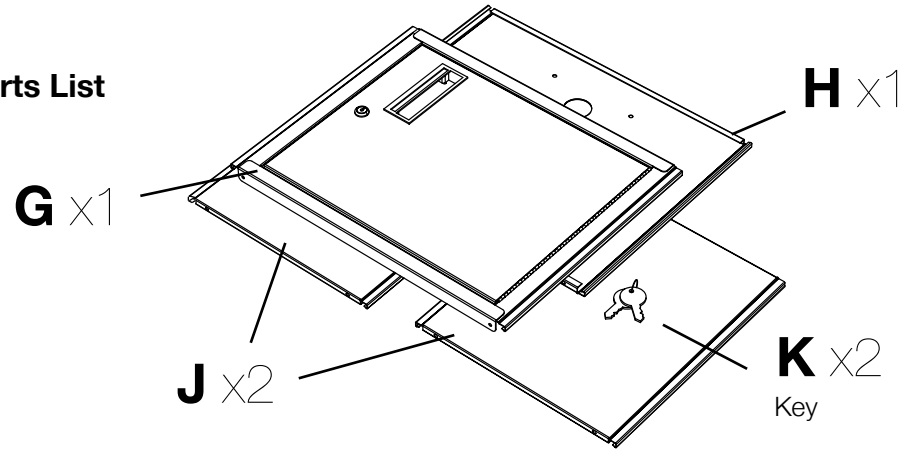


## Tuffy Cart Cabinet

### Pack Instructions

Please consult your Tuffy cart base unit instructions before starting

#### Parts List



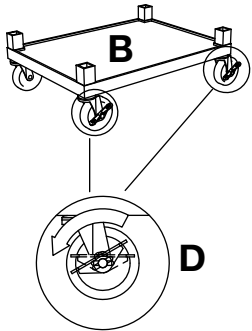
#### Tools Required

- Rubber Mallet

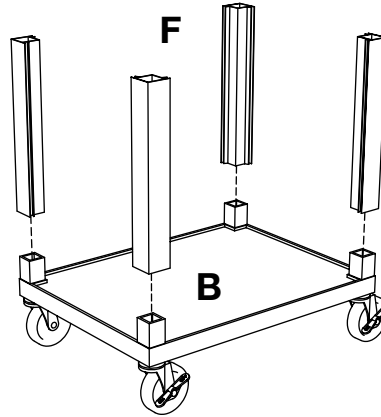
Call Us at  
**1-800-944-4573**  
for Orders or Inquiries

**1**

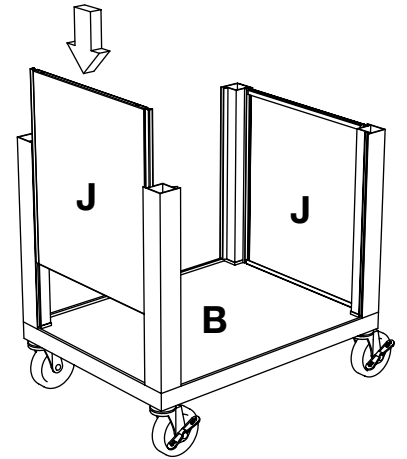
**IMPORTANT:** Flip shelf **B**, and lock the 2 locking casters **D** before assembling the unit.



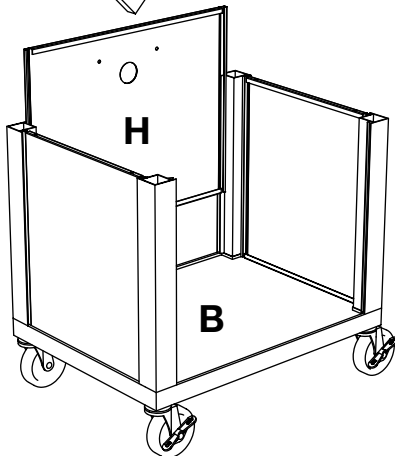
**2**



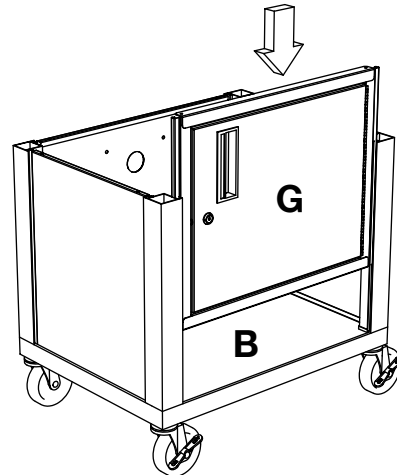
**3**



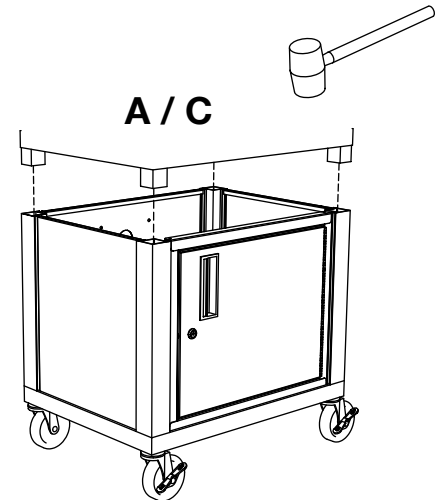
**4**



**5**



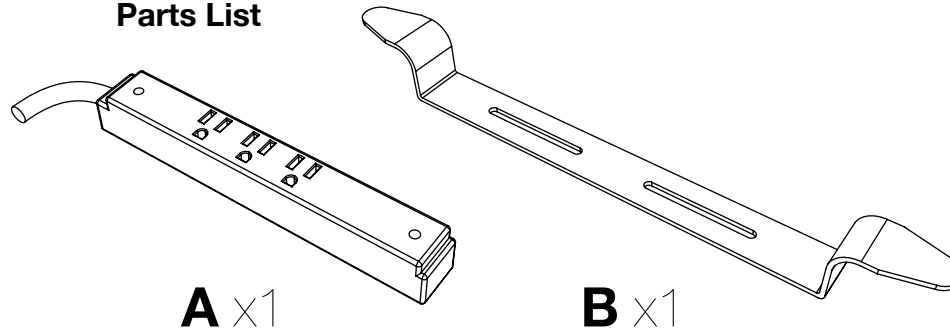
**6**



## Electric Assembly Instructions

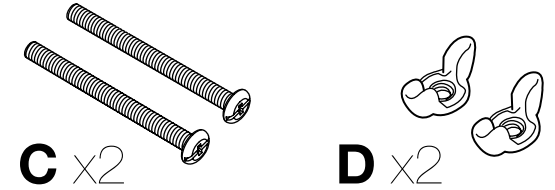
Number of outlets may vary.

### Parts List

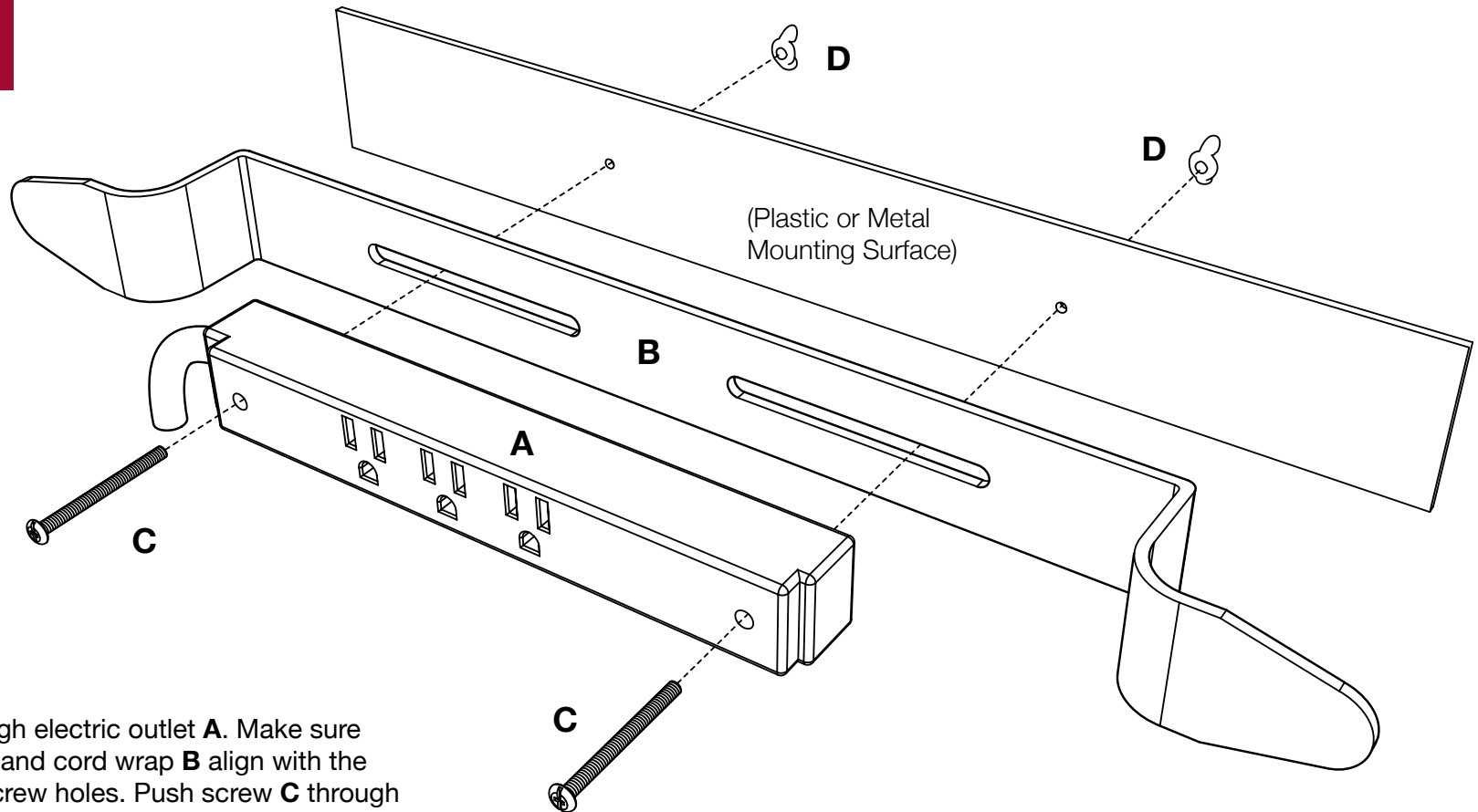


### Tools Required

- Screwdriver



Call Us at  
1-800-944-4573  
for Orders or Inquiries



1

Push screw **C** through electric outlet **A**. Make sure the electric outlet **A** and cord wrap **B** align with the mounting surface screw holes. Push screw **C** through cord wrap **B** and the mounting surface screw holes. Use wing nut **D** and screwdriver to fasten.