

***H. Wilson Tuffy WT42PE-B  
Purple 42" High Tuffy Utility  
A/V Cart (3-Shelf Black Legs)***

Instruction Manual



*Provided by*

**MyBinding.com**

*When Image Matters.*

Call Us at 1-800-944-4573

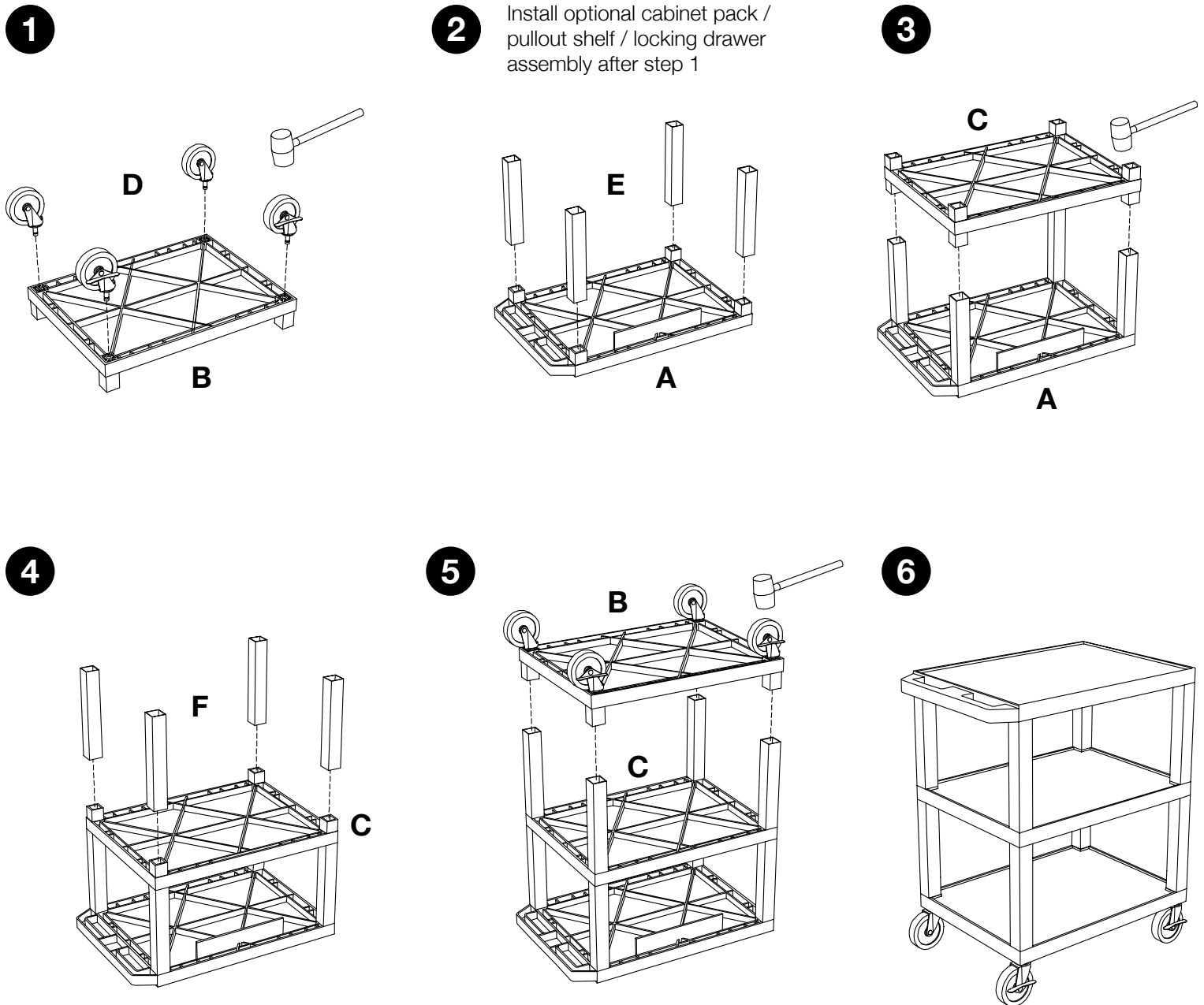
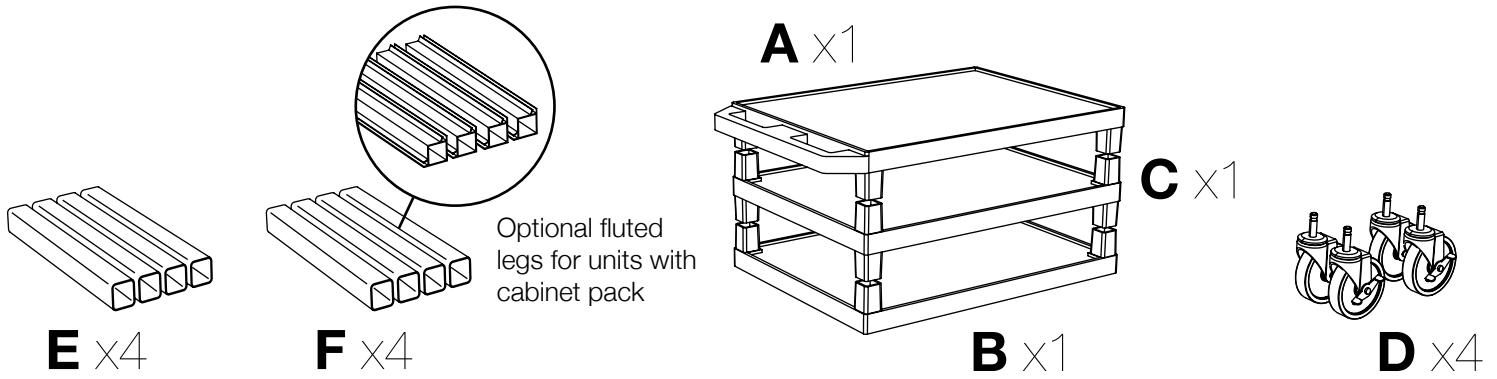
**NOTICE:**

Leg lengths of leg **E** may be shorter than leg **F**

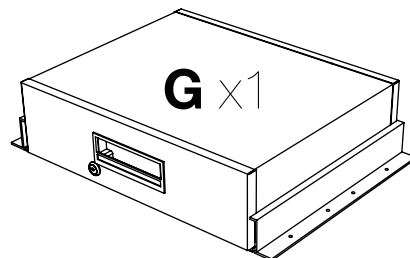
**Parts List**

**Tools Required**

- Rubber Mallet



### Parts List



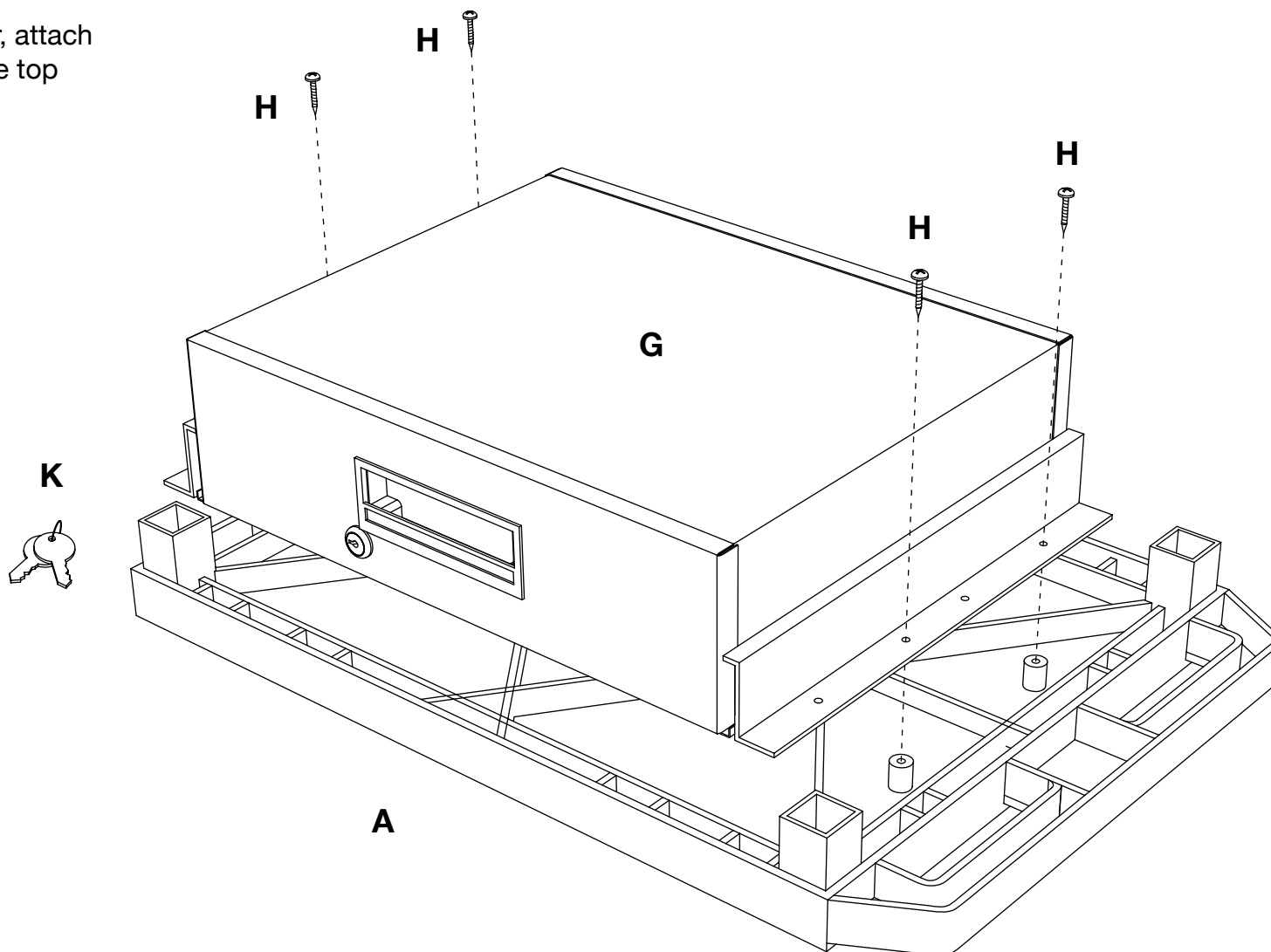
### Tools Required

- Phillips Screwdriver



**1**

With a Phillips Screwdriver, attach the drawer assembly to the top shelf with the 4 screws.



Call Us at

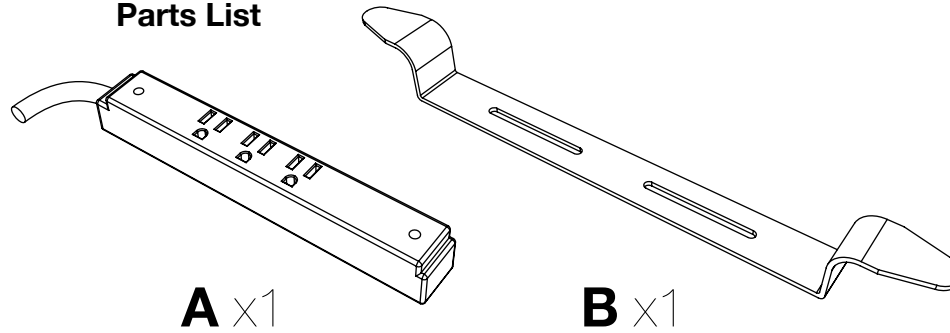
1-800-944-4573

for Orders or Inquiries

## Electric Assembly Instructions

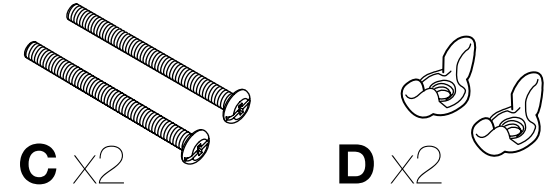
Number of outlets may vary.

### Parts List

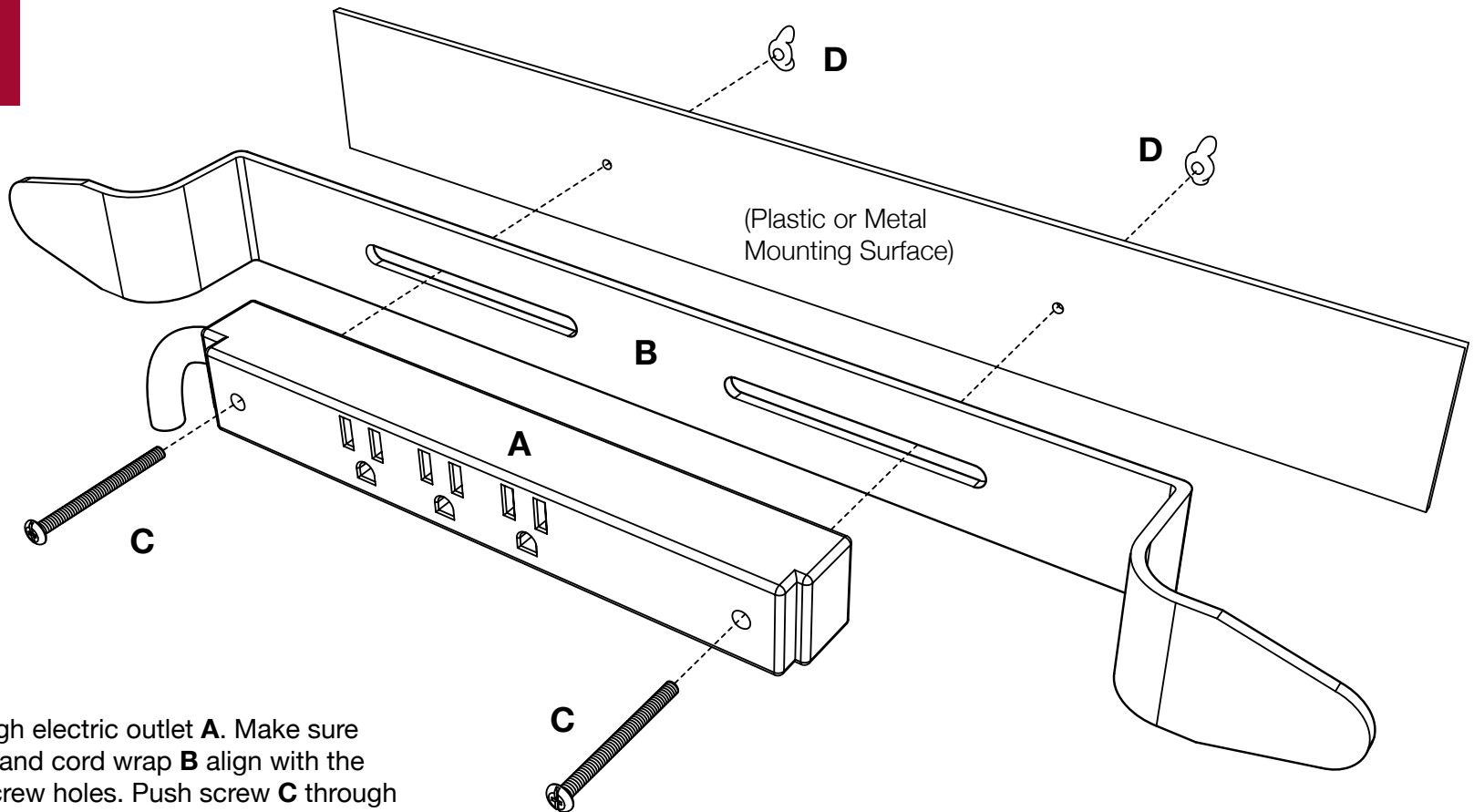


### Tools Required

- Screwdriver



Call Us at  
1-800-944-4573  
for Orders or Inquiries



1

Push screw **C** through electric outlet **A**. Make sure the electric outlet **A** and cord wrap **B** align with the mounting surface screw holes. Push screw **C** through cord wrap **B** and the mounting surface screw holes. Use wing nut **D** and screwdriver to fasten.