

***H. Wilson Tuffy WT42RC2E-B  
Red 42" High Tuffy Utility A/V  
Cart with Cabinet  
(3-Shelf Black Legs)***

Instruction Manual



*Provided by*

**MyBinding.com**  
*When Image Matters.*

Call Us at 1-800-944-4573

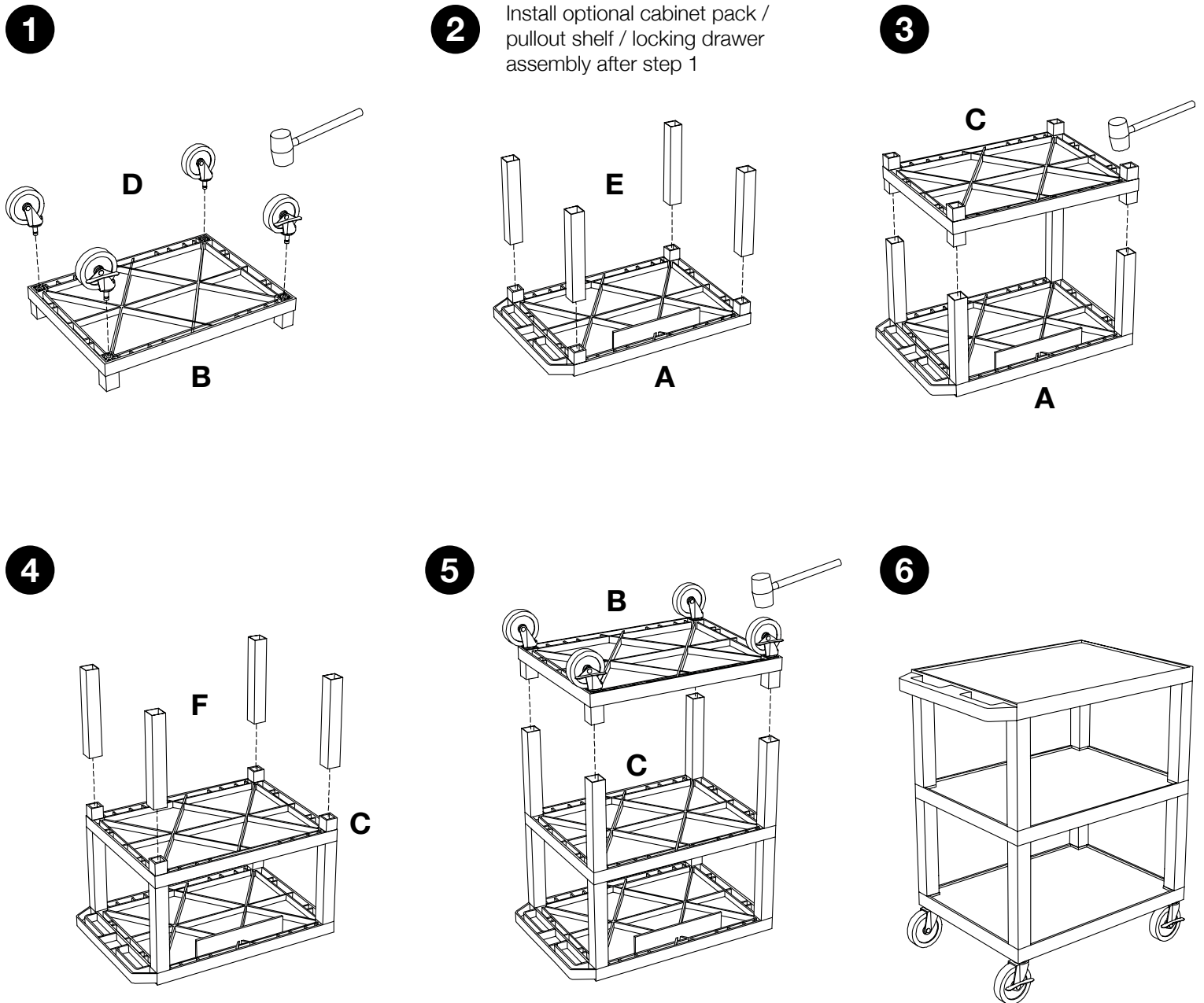
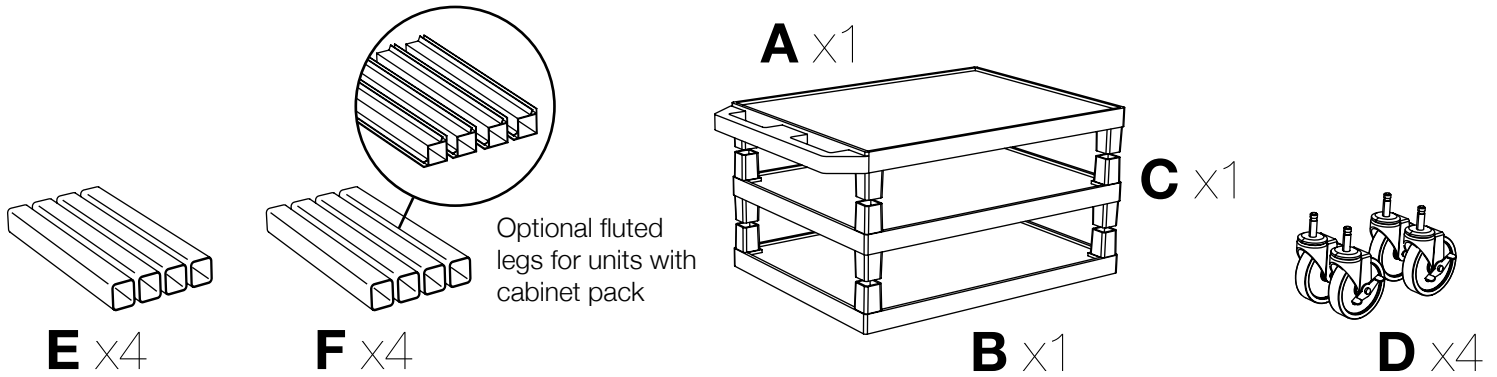
**NOTICE:**

Leg lengths of leg **E** may be shorter than leg **F**

**Parts List**

**Tools Required**

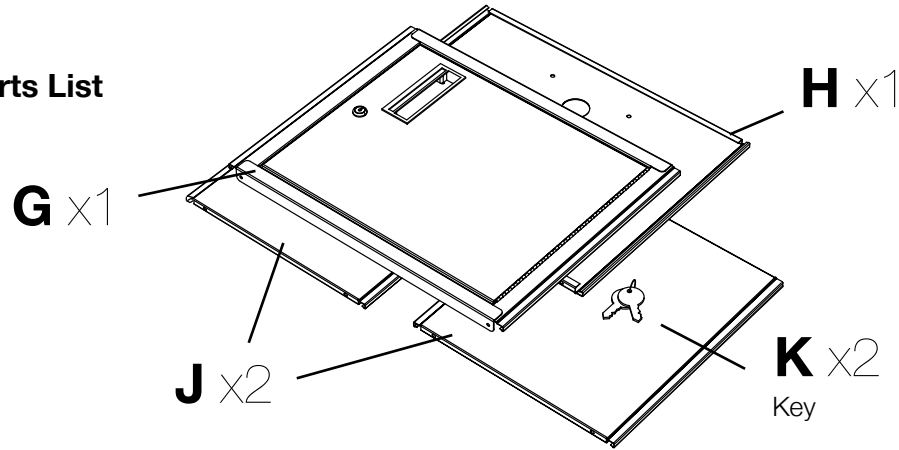
- Rubber Mallet



## Parts List

### Tuffy Cart Cabinet Pack Instructions

Please consult your Tuffy cart base unit instructions before starting

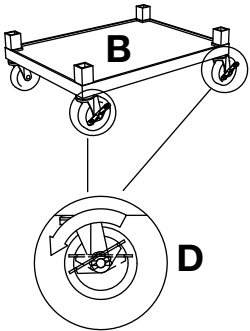


**Tools Required**  
- Rubber Mallet

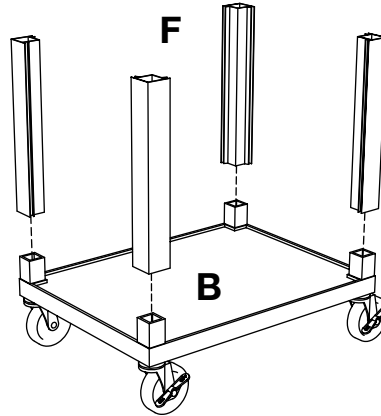
**Call Us at**  
**1-800-944-4573**  
for Orders or Inquiries

**1**

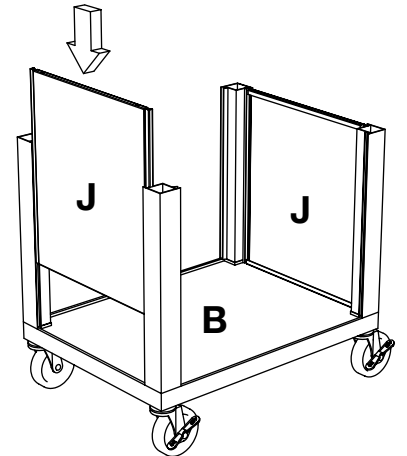
**IMPORTANT:** Flip shelf **B**, and lock the 2 locking casters **D** before assembling the unit.



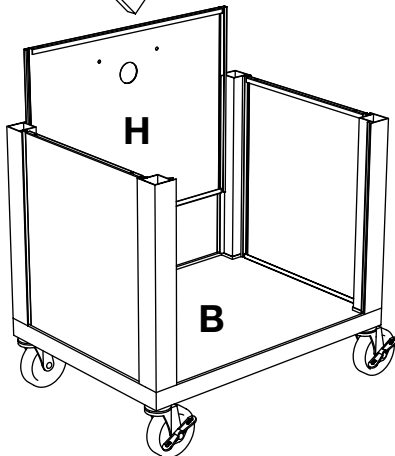
**2**



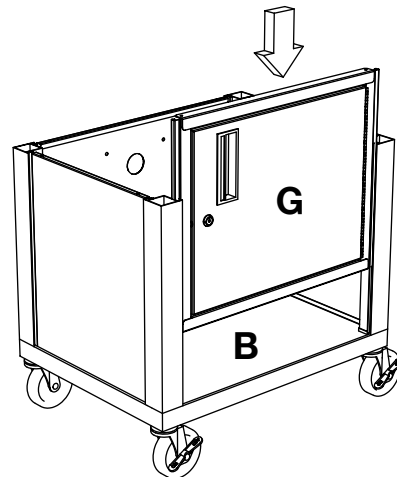
**3**



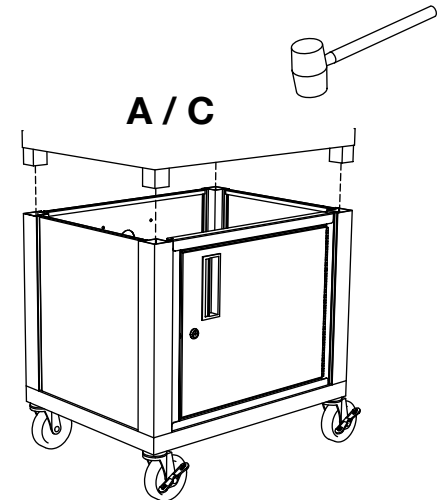
**4**



**5**



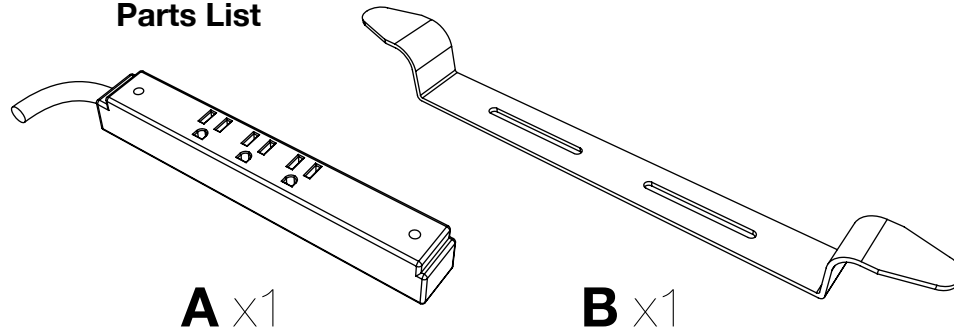
**6**



## Electric Assembly Instructions

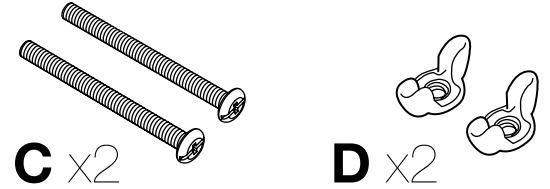
Number of outlets may vary.

### Parts List

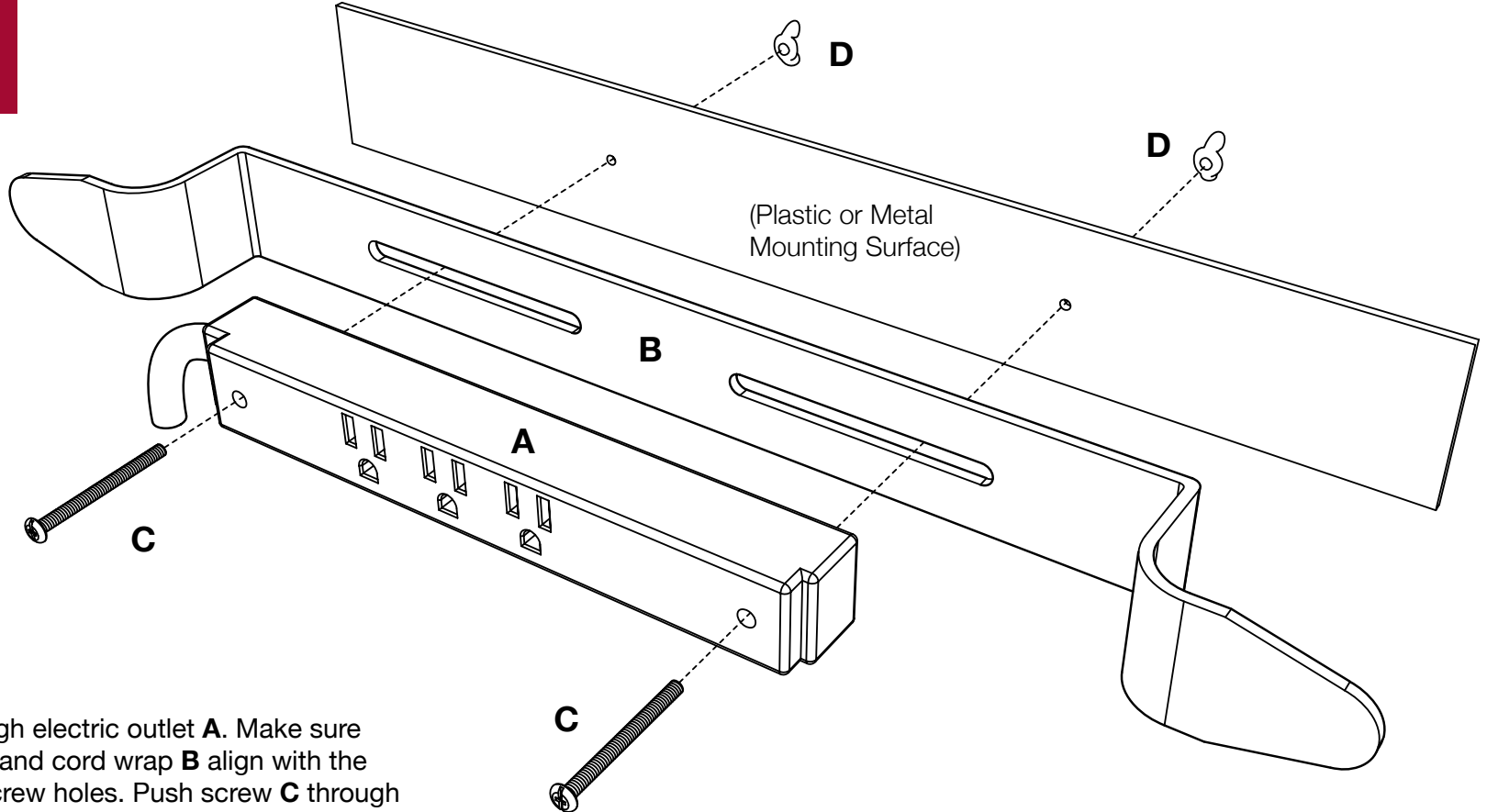


### Tools Required

- Screwdriver



Call Us at  
1-800-944-4573  
for Orders or Inquiries



1

Push screw **C** through electric outlet **A**. Make sure the electric outlet **A** and cord wrap **B** align with the mounting surface screw holes. Push screw **C** through cord wrap **B** and the mounting surface screw holes. Use wing nut **D** and screwdriver to fasten.