

***H. Wilson Tuffy WT42RE-B
Red 42" High Tuffy Utility A/V
Cart (3-Shelf Black Legs)***

Instruction Manual



Provided by

MyBinding.com
When Image Matters.

Call Us at 1-800-944-4573

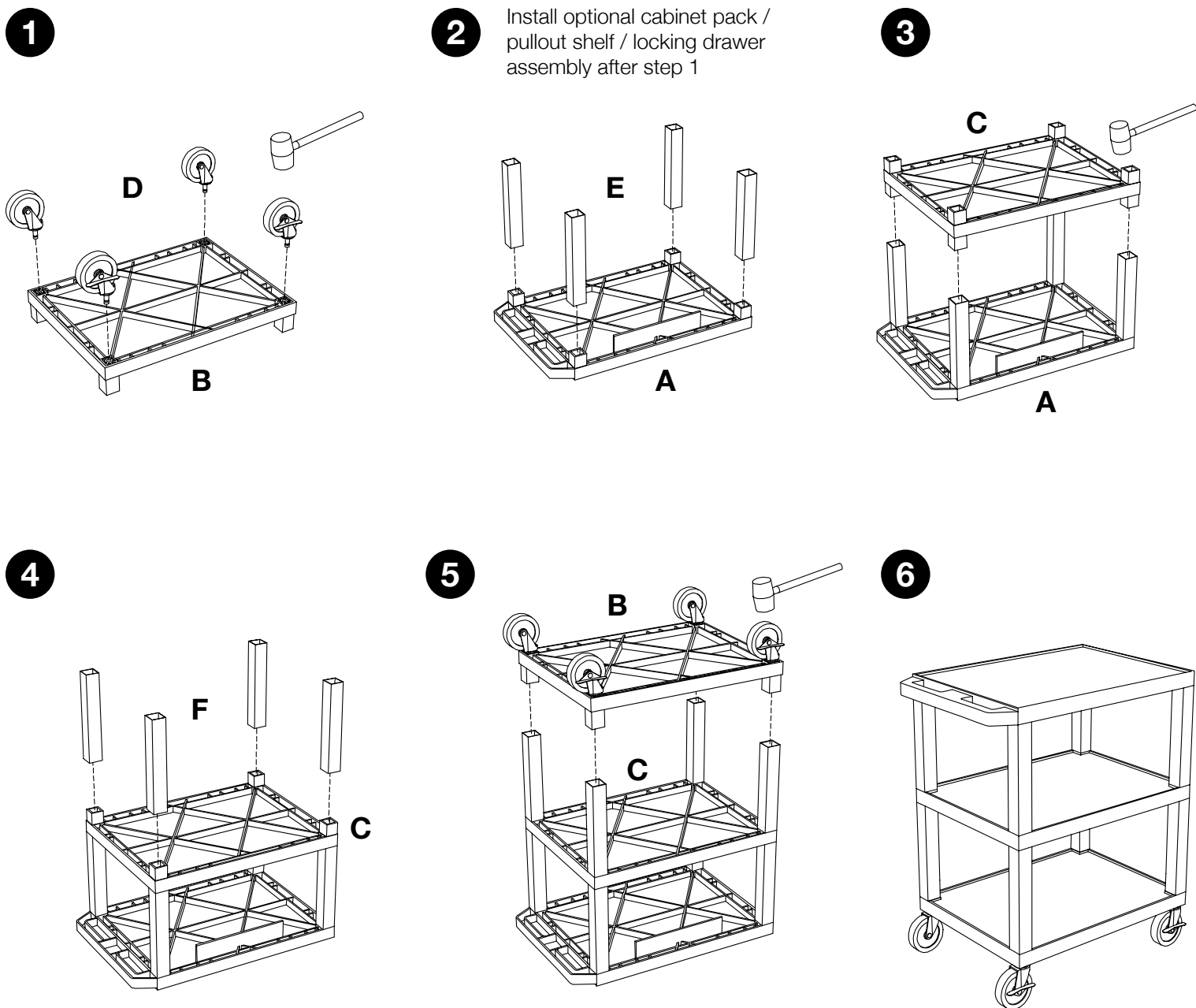
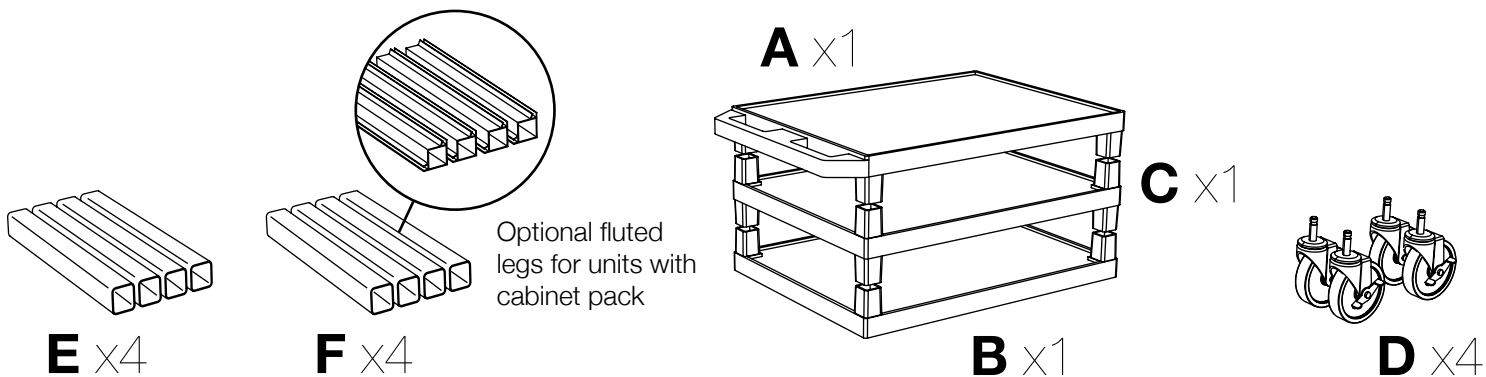
NOTICE:

Leg lengths of leg **E** may be shorter than leg **F**

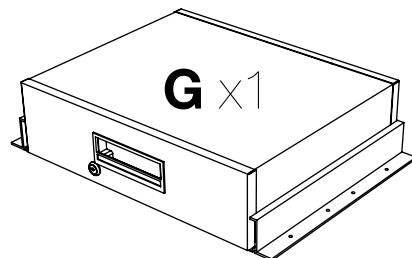
Parts List

Tools Required

- Rubber Mallet



Parts List



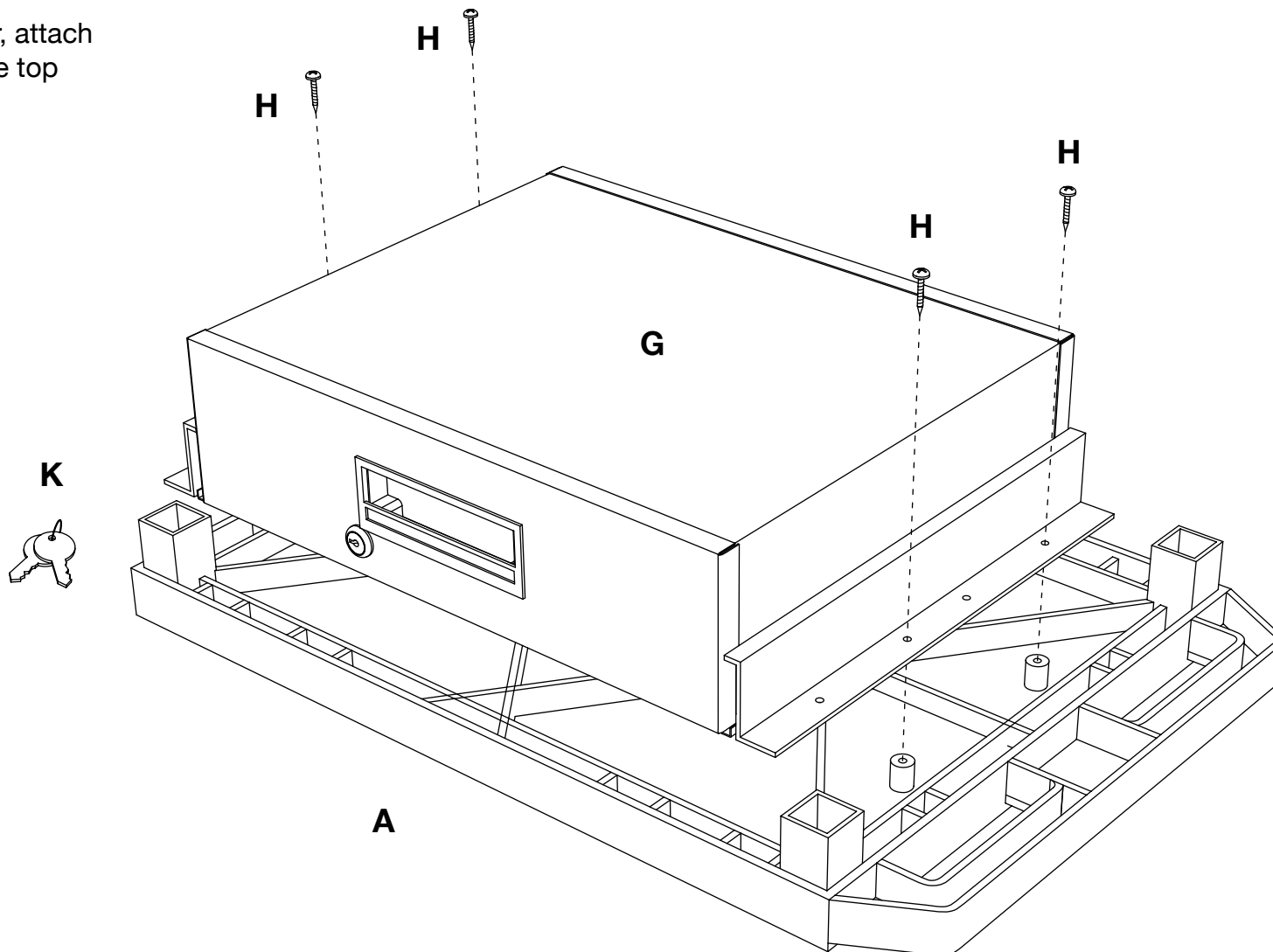
Tools Required

- Phillips Screwdriver



1

With a Phillips Screwdriver, attach the drawer assembly to the top shelf with the 4 screws.

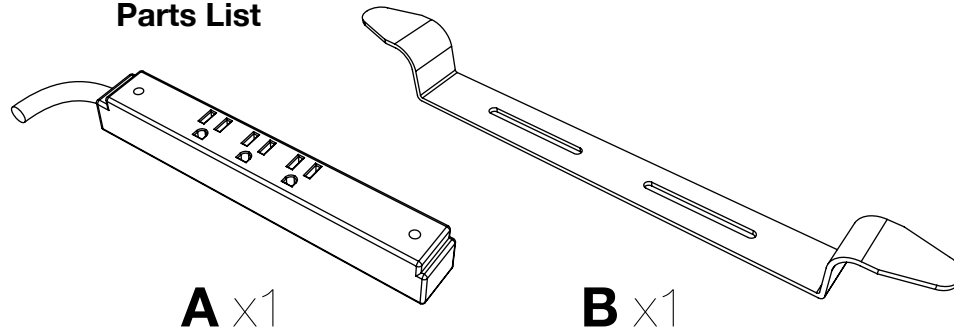


Call Us at
1-800-944-4573
for Orders or Inquiries

Electric Assembly Instructions

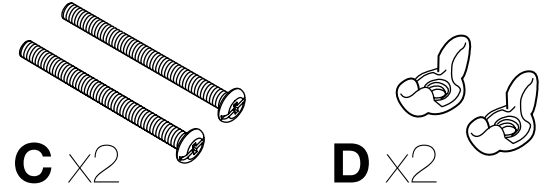
Number of outlets
may vary.

Parts List

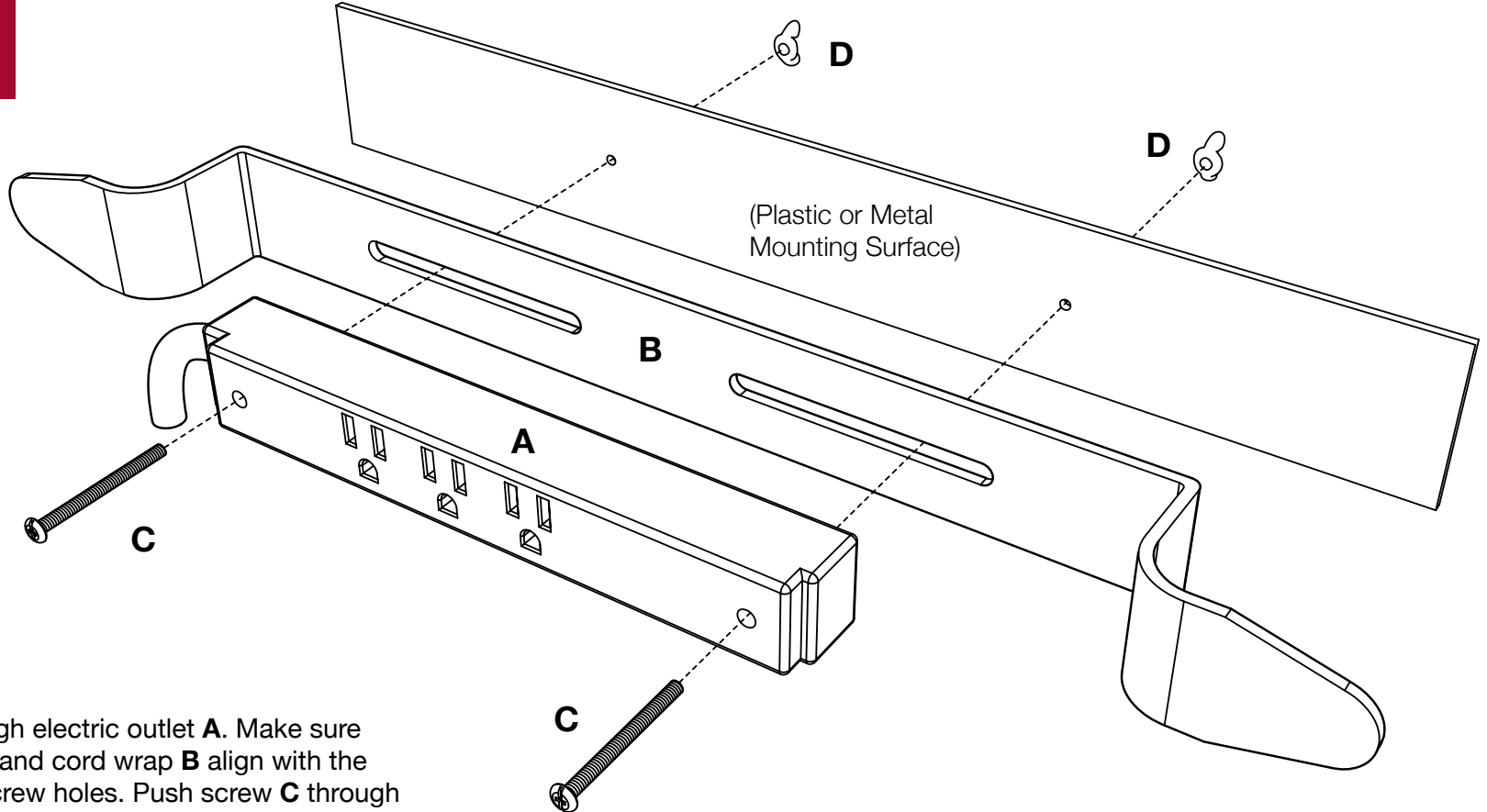


Tools Required

- Screwdriver



Call Us at
1-800-944-4573
for Orders or Inquiries



1

Push screw **C** through electric outlet **A**. Make sure the electric outlet **A** and cord wrap **B** align with the mounting surface screw holes. Push screw **C** through cord wrap **B** and the mounting surface screw holes. Use wing nut **D** and screwdriver to fasten.