

H. Wilson Tuffy WT42RE Red 42" High Tuffy Utility A/V Cart (3-Shelf Putty Legs)

Instruction Manual



Provided by

MyBinding.com

When Image Matters.

Call Us at 1-800-944-4573

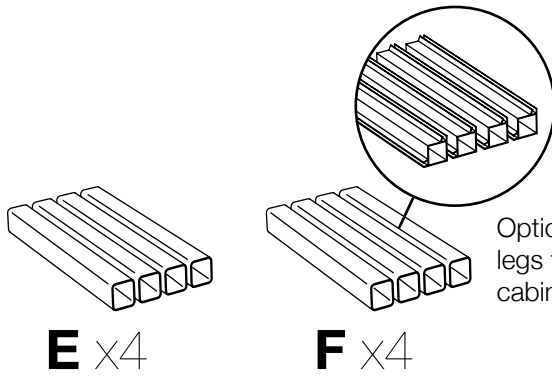
NOTICE:

Leg lengths of leg **E** may be shorter than leg **F**

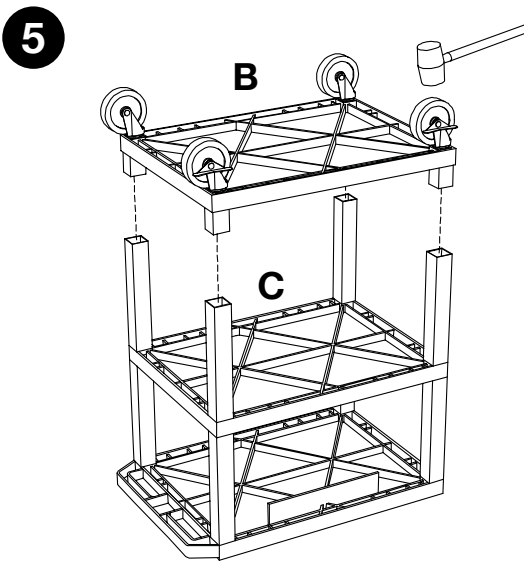
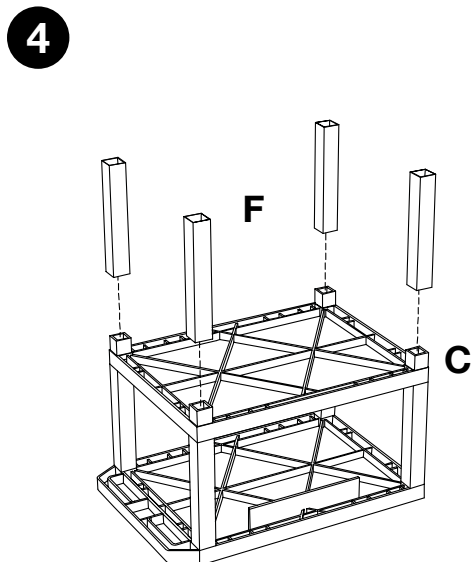
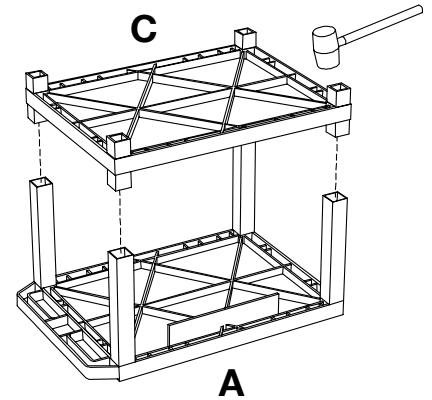
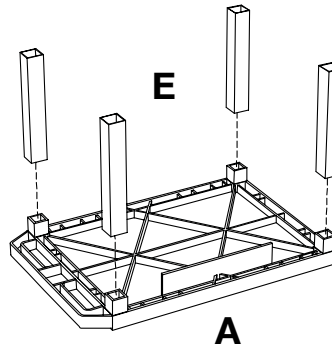
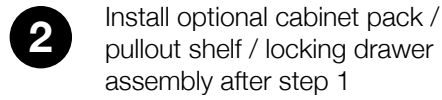
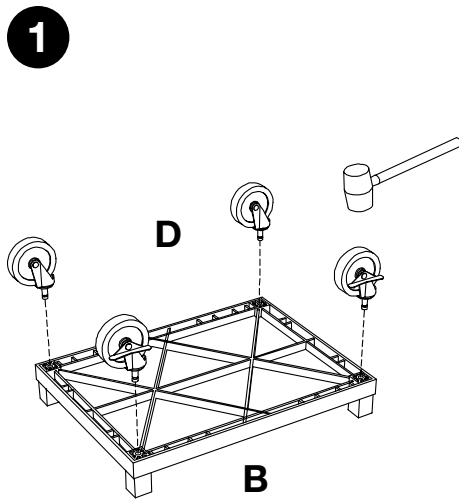
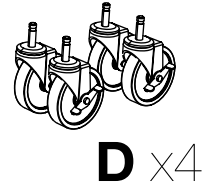
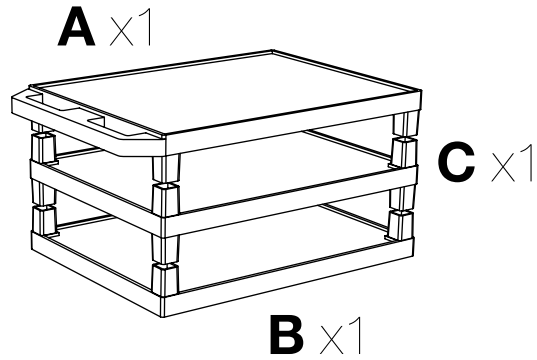
Parts List

Tools Required

- Rubber Mallet



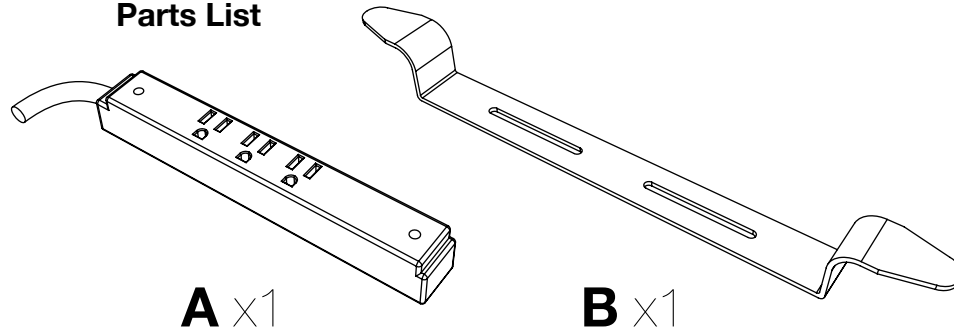
Optional fluted legs for units with cabinet pack



Electric Assembly Instructions

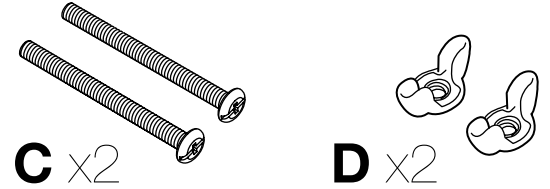
Number of outlets
may vary.

Parts List

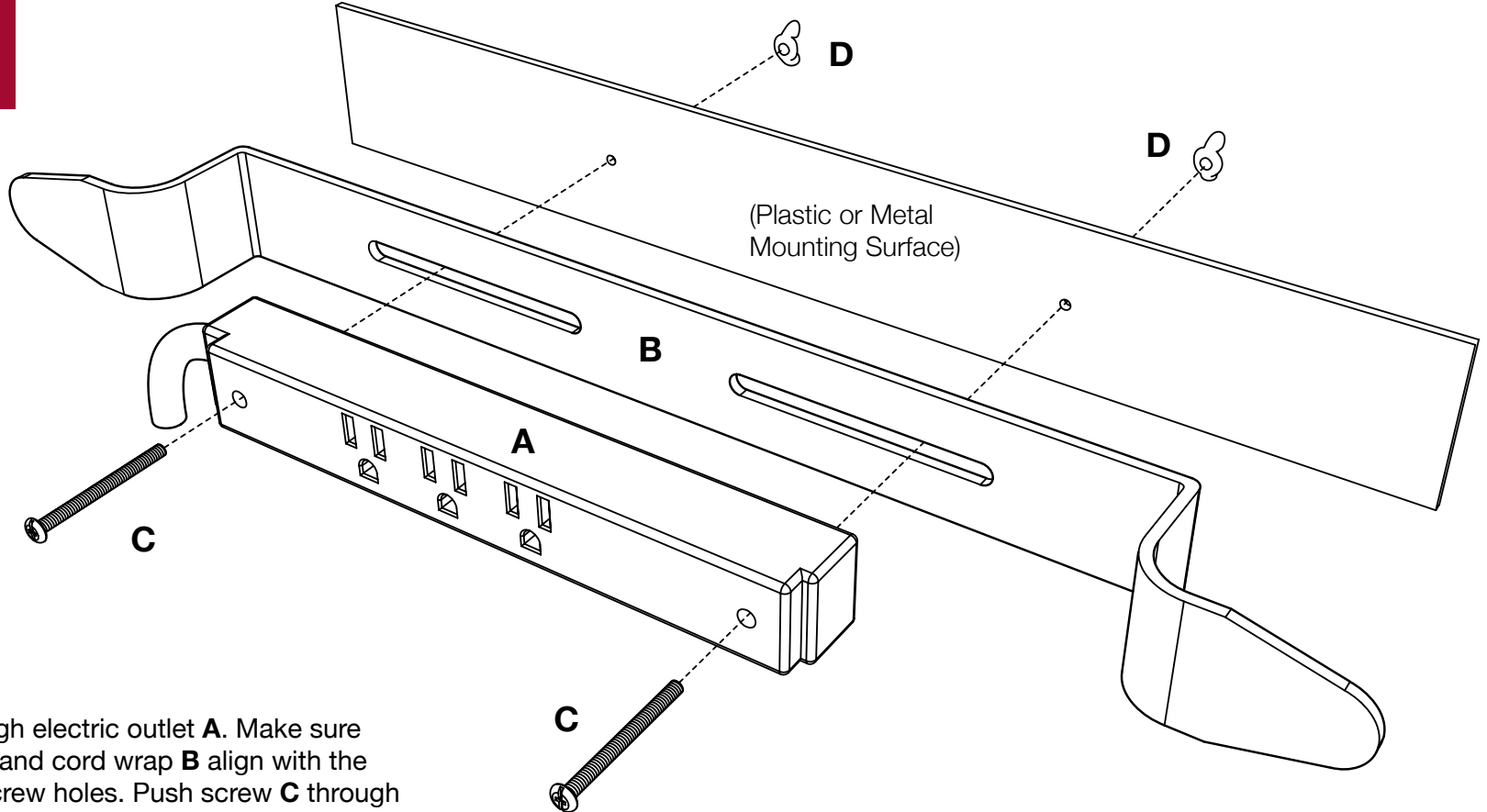


Tools Required

- Screwdriver



Call Us at
1-800-944-4573
for Orders or Inquiries



1

Push screw **C** through electric outlet **A**. Make sure the electric outlet **A** and cord wrap **B** align with the mounting surface screw holes. Push screw **C** through cord wrap **B** and the mounting surface screw holes. Use wing nut **D** and screwdriver to fasten.