

***H. Wilson Tuffy WT42ZC2E-B
Navy Blue 42" High Tuffy
Utility A/V Cart with Cabinet
(3-Shelf Black Legs)***

Instruction Manual



Provided by

MyBinding.com

When Image Matters.

Call Us at 1-800-944-4573

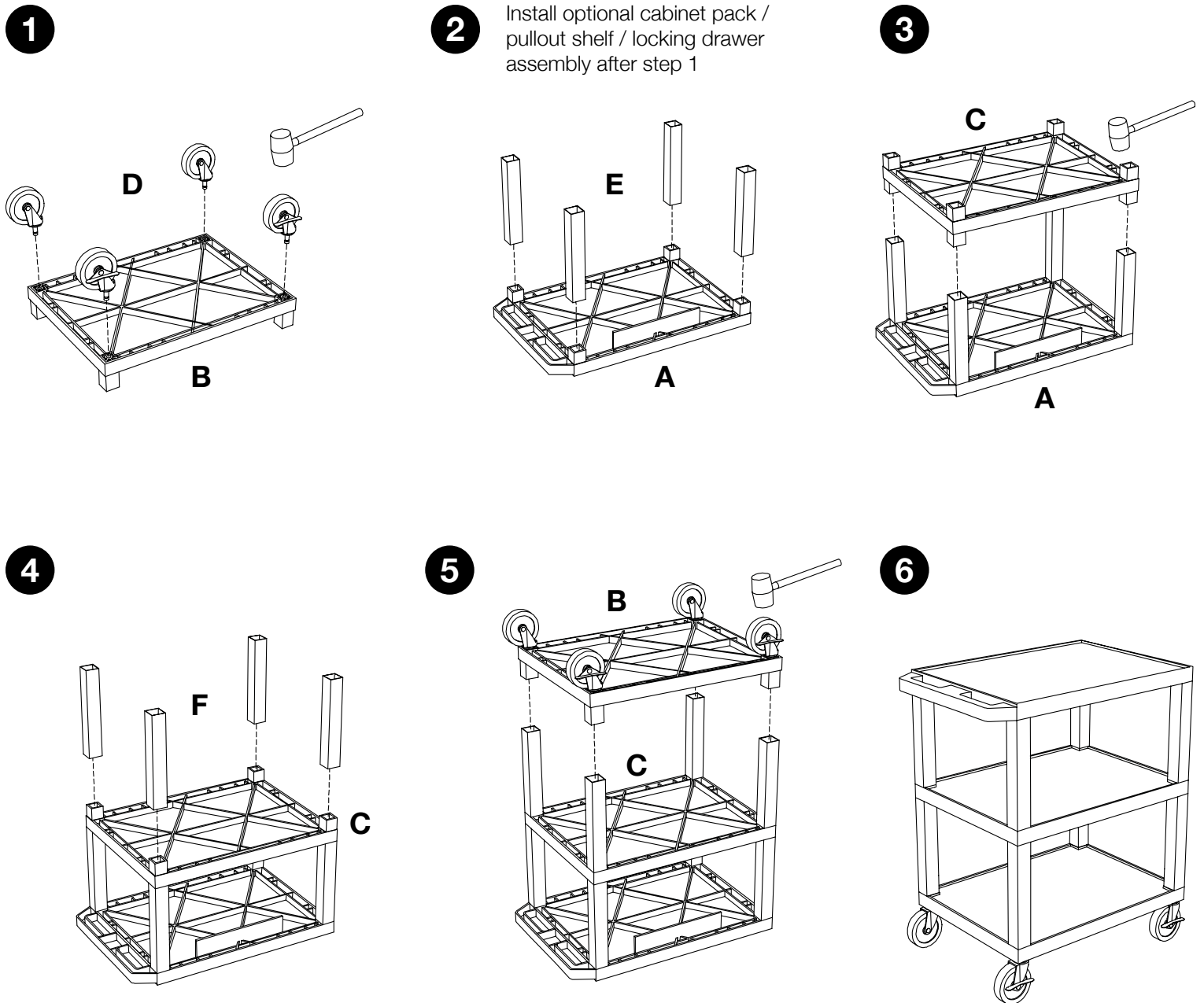
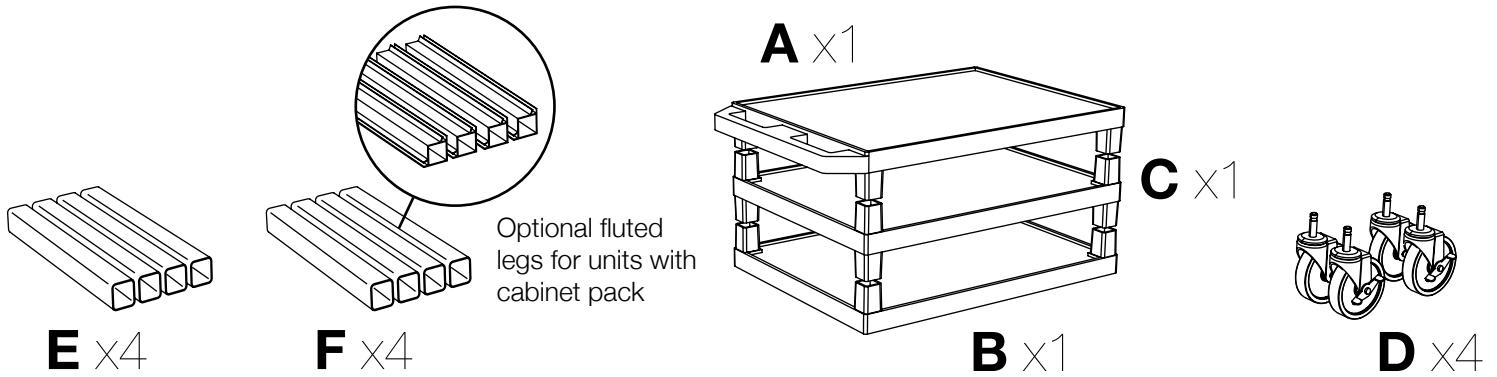
NOTICE:

Leg lengths of leg **E** may be shorter than leg **F**

Parts List

Tools Required

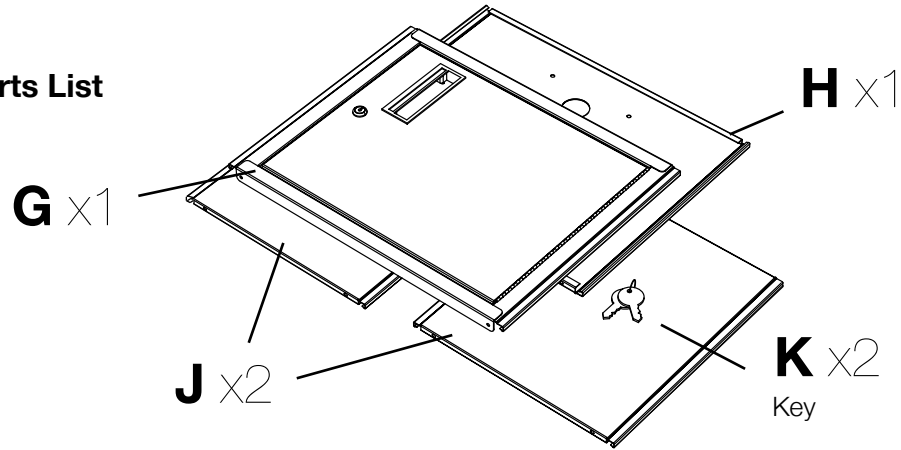
- Rubber Mallet



Tuffy Cart Cabinet Pack Instructions

Please consult your Tuffy cart base unit instructions before starting

Parts List

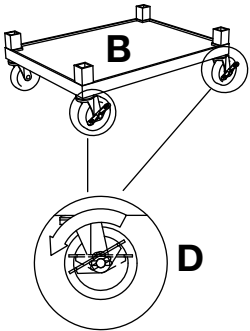


Tools Required
- Rubber Mallet

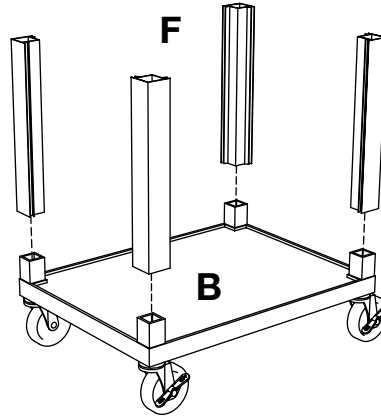
Call Us at
1-800-944-4573
for Orders or Inquiries

1

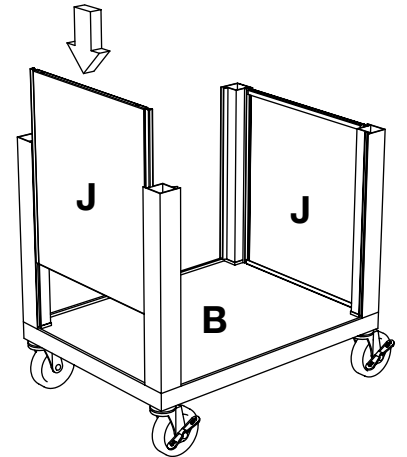
IMPORTANT: Flip shelf **B**, and lock the 2 locking casters **D** before assembling the unit.



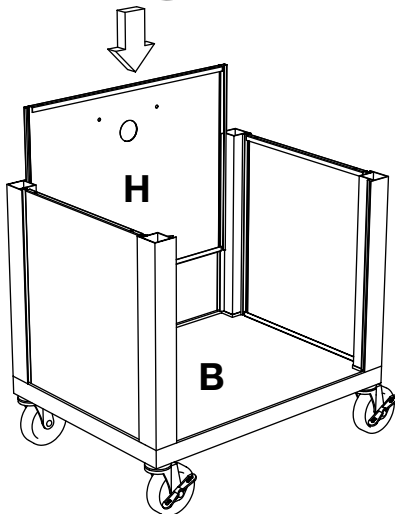
2



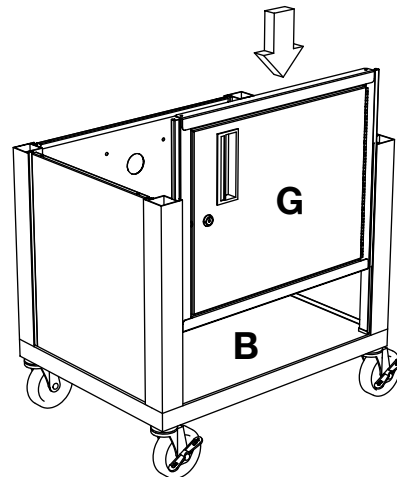
3



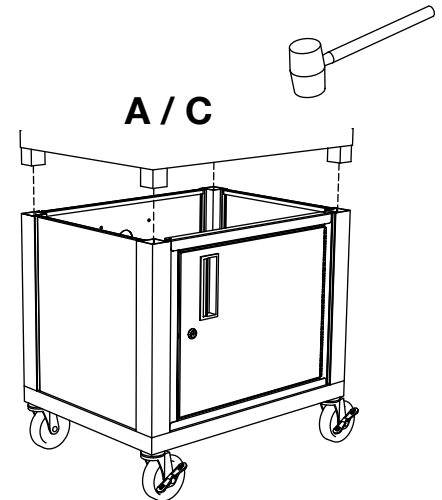
4



5



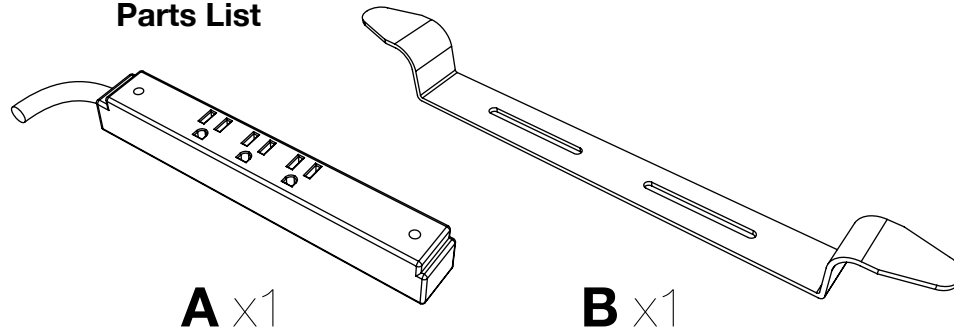
6



Electric Assembly Instructions

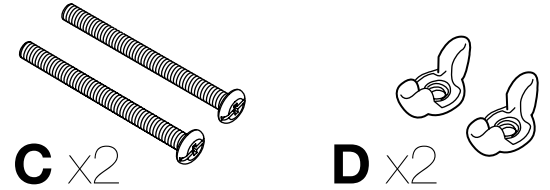
Number of outlets may vary.

Parts List

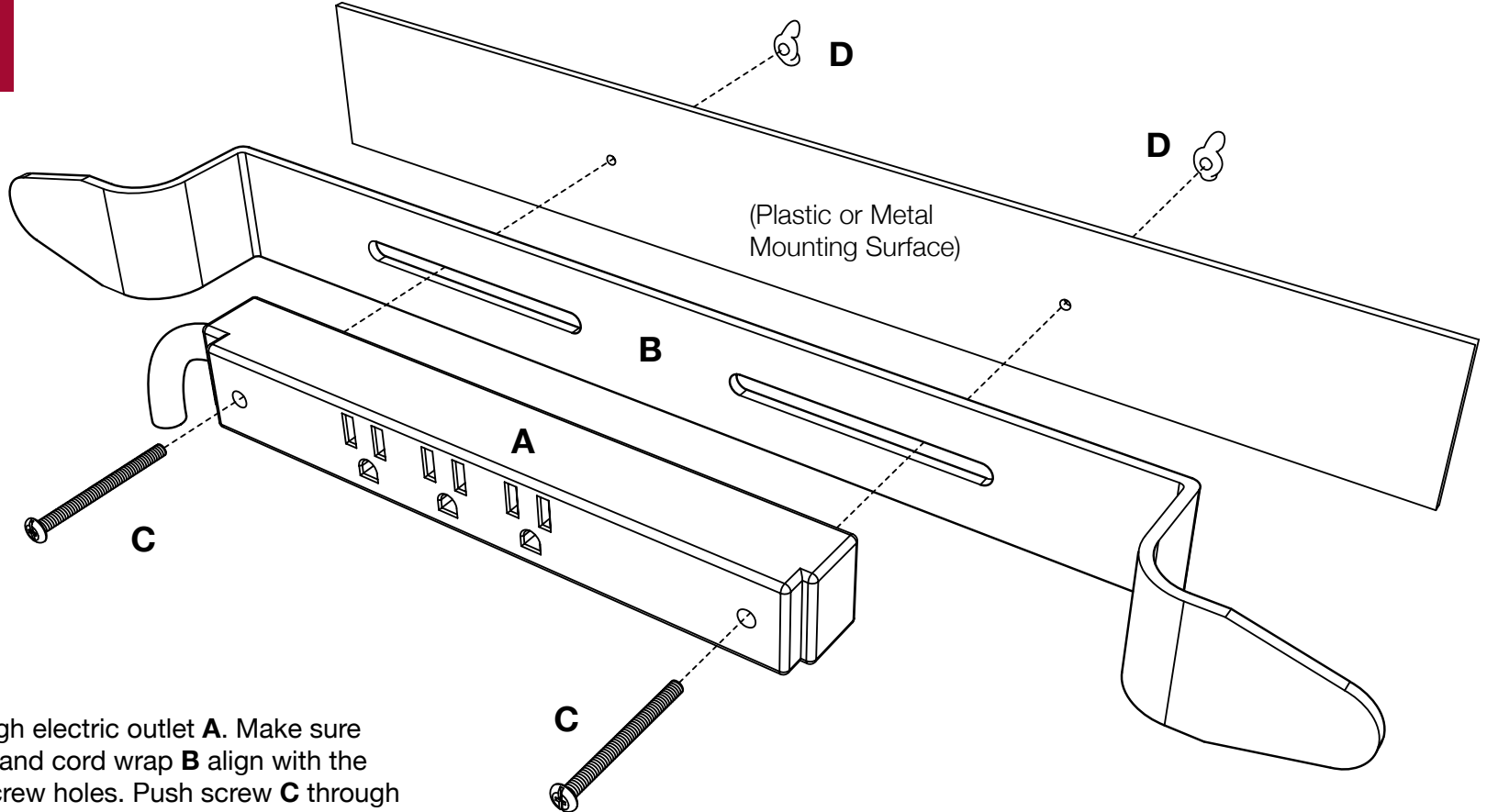


Tools Required

- Screwdriver



Call Us at
1-800-944-4573
for Orders or Inquiries



1

Push screw **C** through electric outlet **A**. Make sure the electric outlet **A** and cord wrap **B** align with the mounting surface screw holes. Push screw **C** through cord wrap **B** and the mounting surface screw holes. Use wing nut **D** and screwdriver to fasten.