

***H. Wilson Tuffy WT42ZC4E-N
Navy Blue 42" High Tuffy
Utility A/V Cart with Cabinet
(3-Shelf Nickel Legs)***

Instruction Manual



Provided by

MyBinding.com
When Image Matters.

Call Us at 1-800-944-4573

www.luxorfurn.com
www.hwilson.com

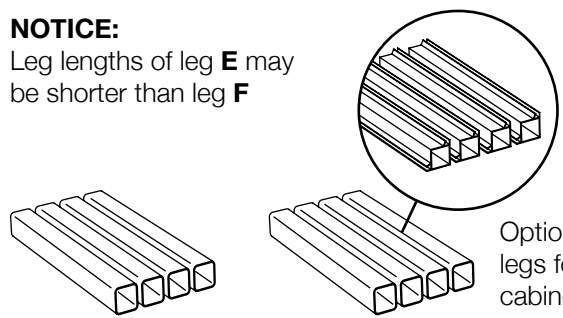
Parts List

Tools Required

- Rubber Mallet

NOTICE:

Leg lengths of leg **E** may be shorter than leg **F**



E x4

F x4

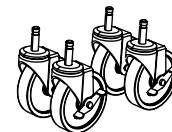
Optional fluted legs for units with cabinet pack

A x1



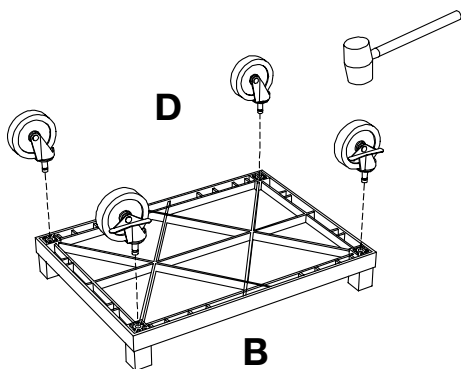
B x1

C x1



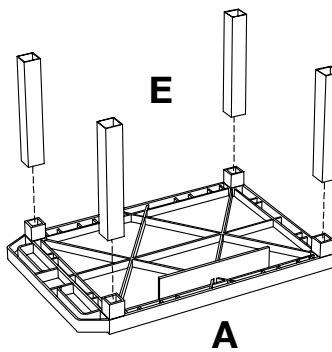
D x4

1

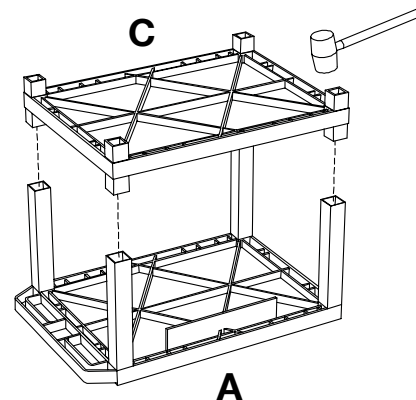


2

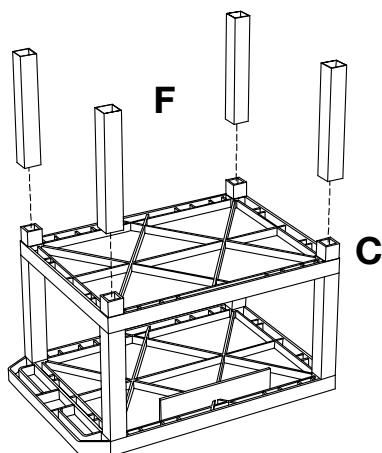
Install optional cabinet pack / pullout shelf / locking drawer assembly after step 1



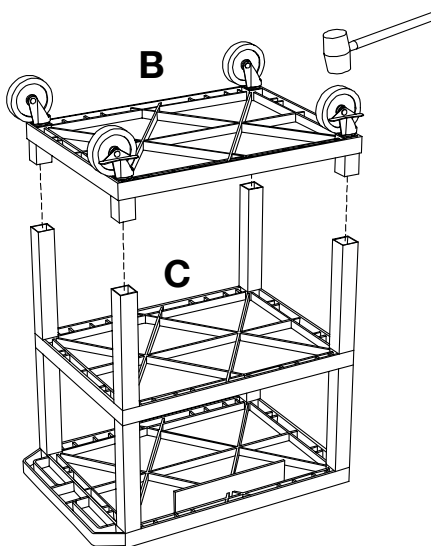
3



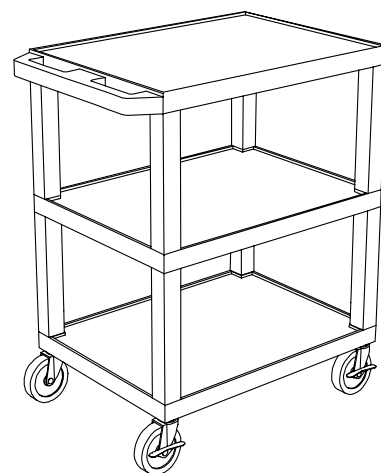
4



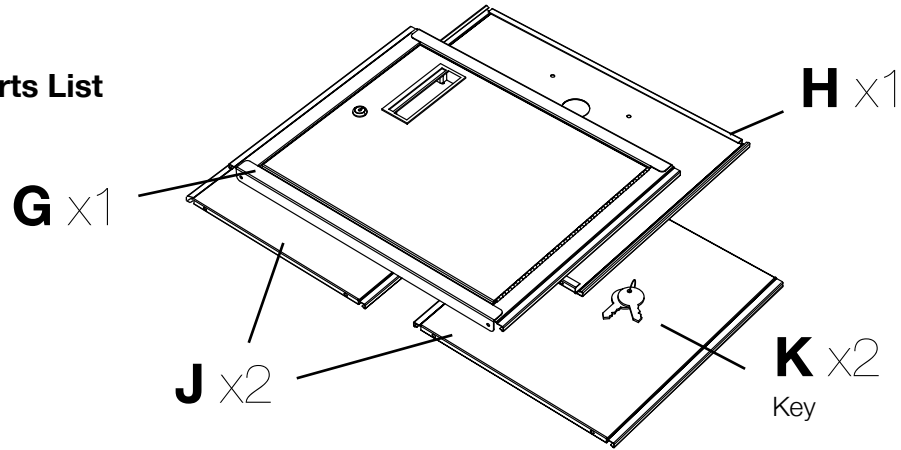
5



6



Parts List



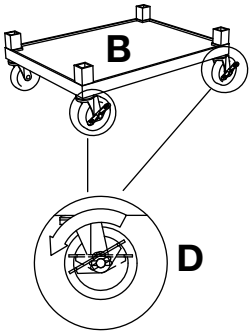
Tools Required

- Rubber Mallet

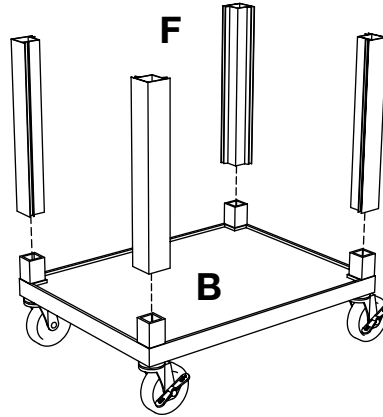
Tuffy Cart Cabinet Pack Instructions

Please consult your Tuffy cart base unit instructions before starting

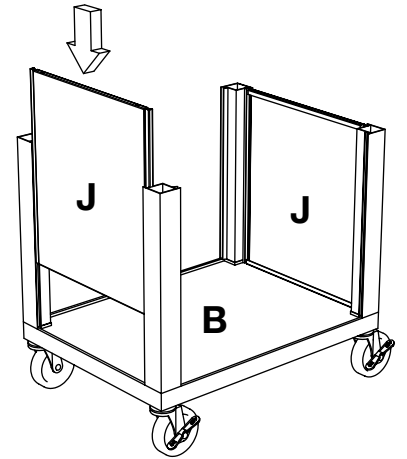
- 1** **IMPORTANT:** Flip shelf **B**, and lock the 2 locking casters **D** before assembling the unit.



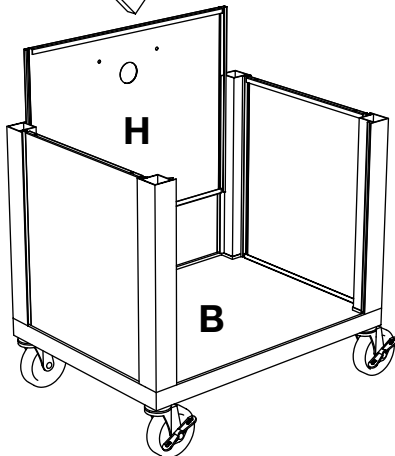
2



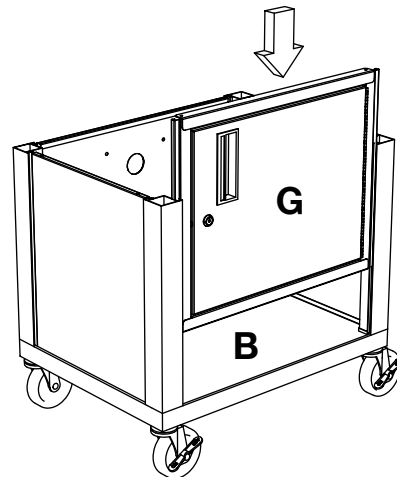
3



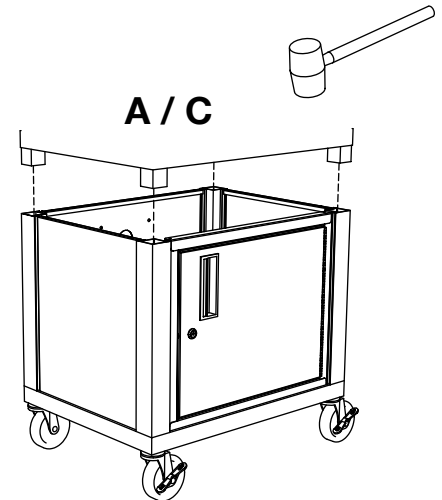
4



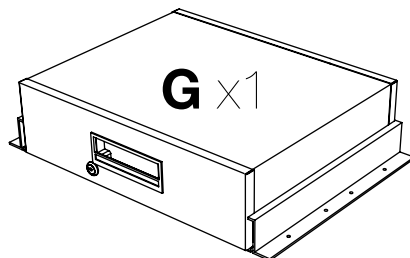
5



6



Parts List



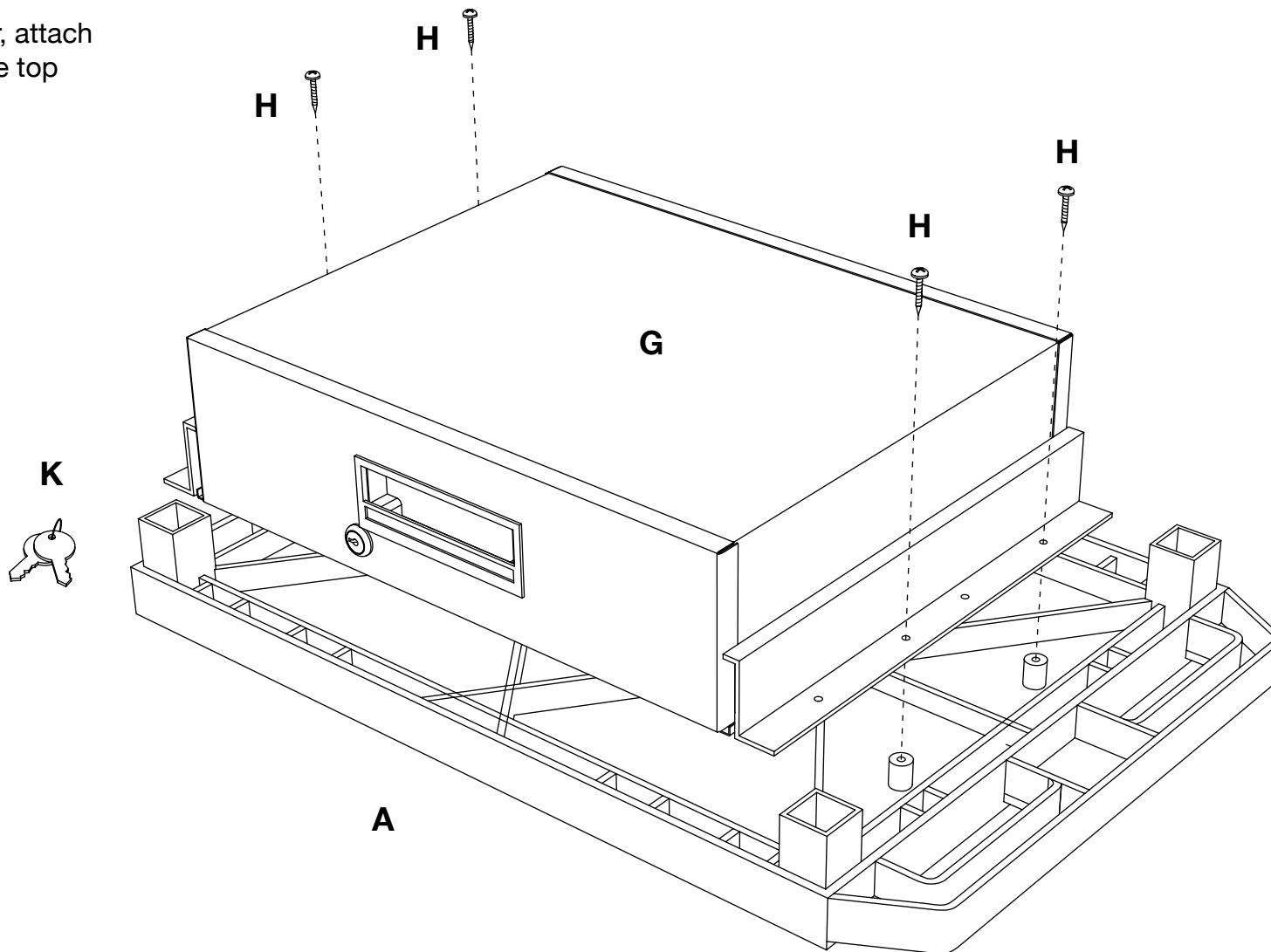
Tools Required

- Phillips Screwdriver

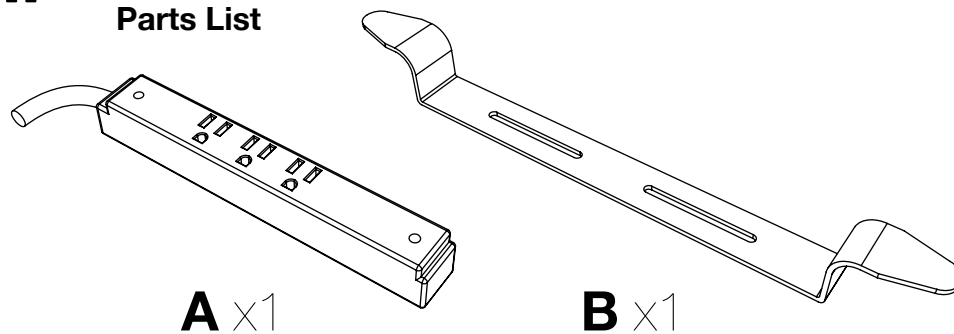


1

With a Phillips Screwdriver, attach the drawer assembly to the top shelf with the 4 screws.

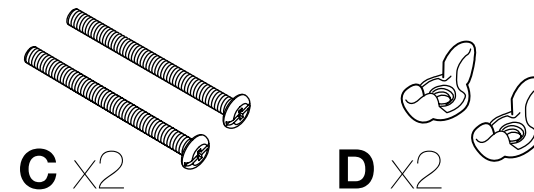


Parts List



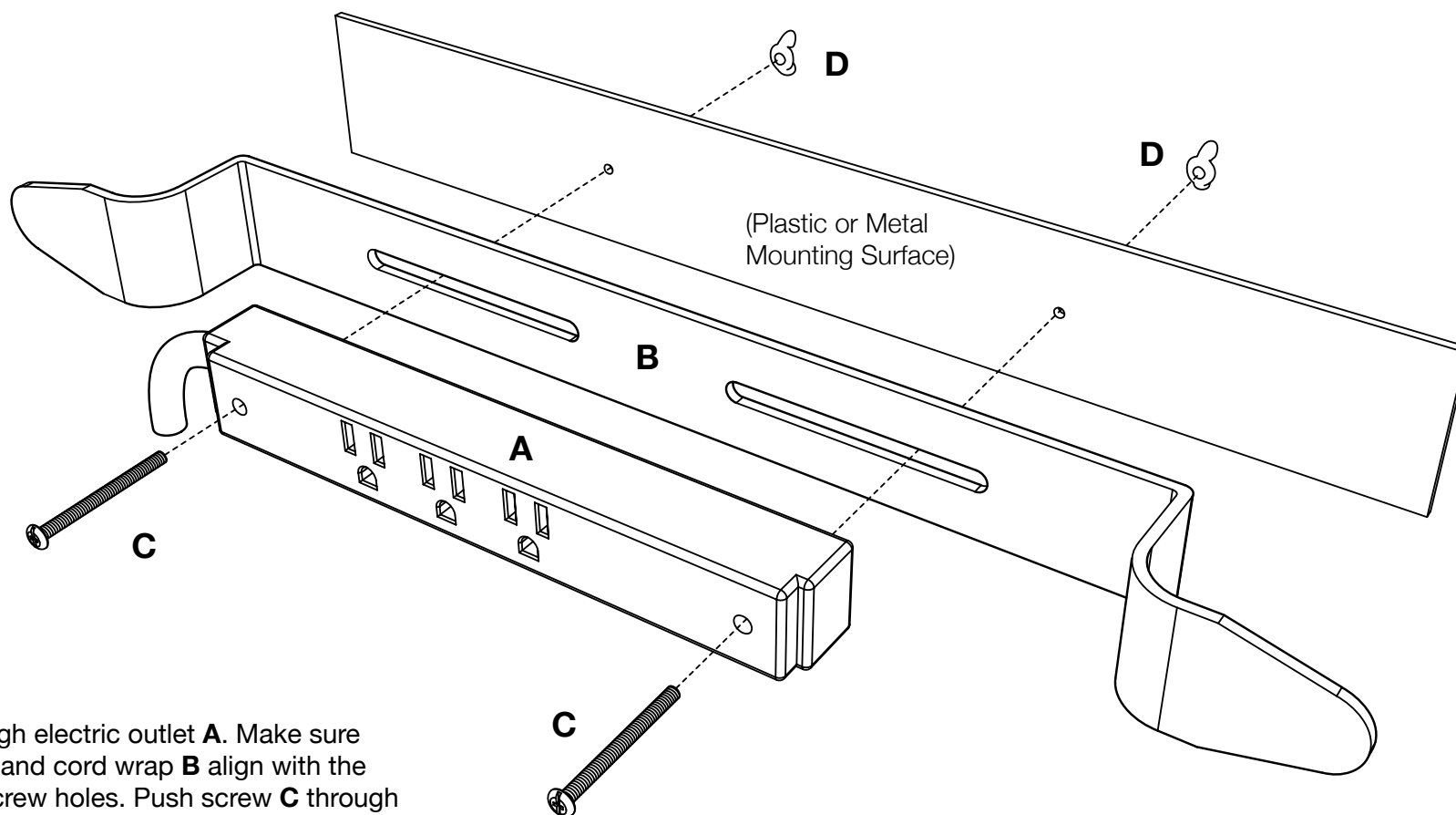
Tools Required

- Screwdriver



Electric Assembly Instructions

Number of outlets may vary.



1

Push screw **C** through electric outlet **A**. Make sure the electric outlet **A** and cord wrap **B** align with the mounting surface screw holes. Push screw **C** through cord wrap **B** and the mounting surface screw holes. Use wing nut **D** and screwdriver to fasten.