

***H. Wilson 42" High Blue Tuffy
Utility A/V Cart with Cabinet
and Pullout Shelf (3-Shelf
Nickel Legs)***

Instruction Manual



Provided by

MyBinding.com
When Image Matters.

Call Us at 1-800-944-4573

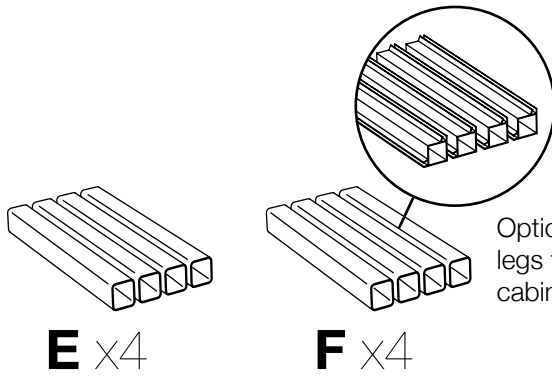
NOTICE:

Leg lengths of leg **E** may be shorter than leg **F**

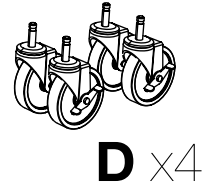
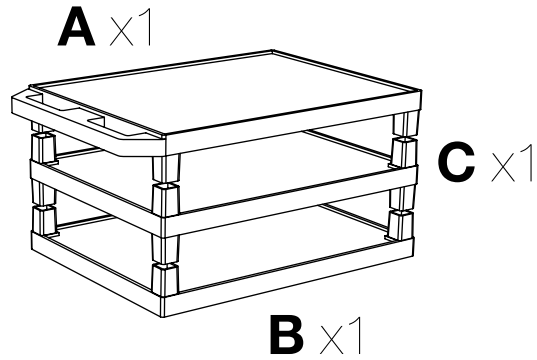
Parts List

Tools Required

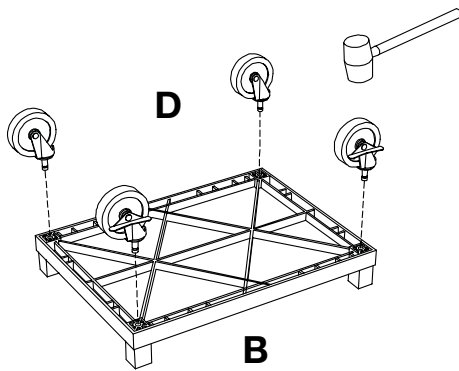
- Rubber Mallet



Optional fluted legs for units with cabinet pack

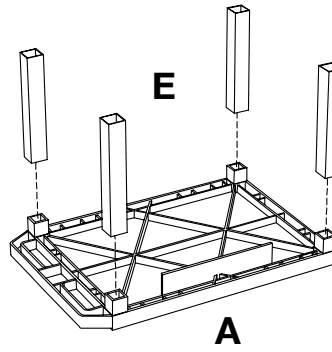


1

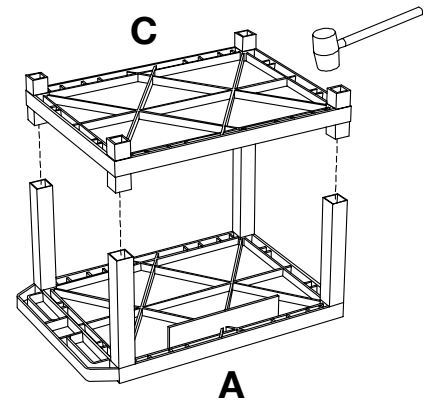


2

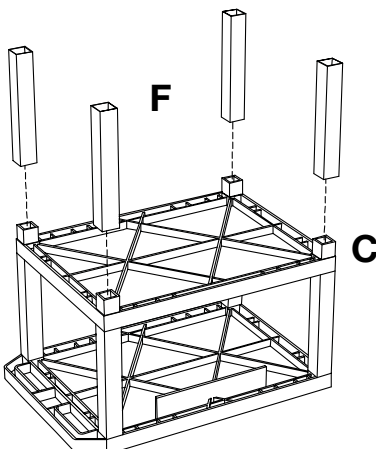
Install optional cabinet pack / pullout shelf / locking drawer assembly after step 1



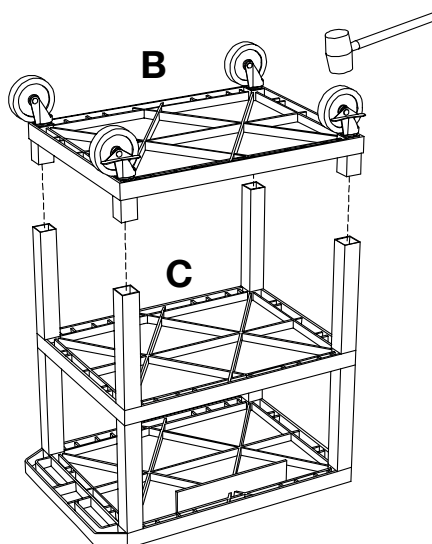
3



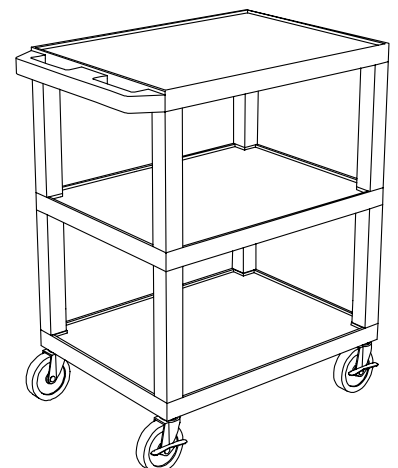
4



5



6

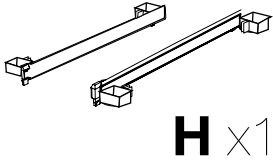


Parts List

Tools Required

- Phillips Screwdriver

G x1



H x1



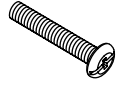
K x1



L x2

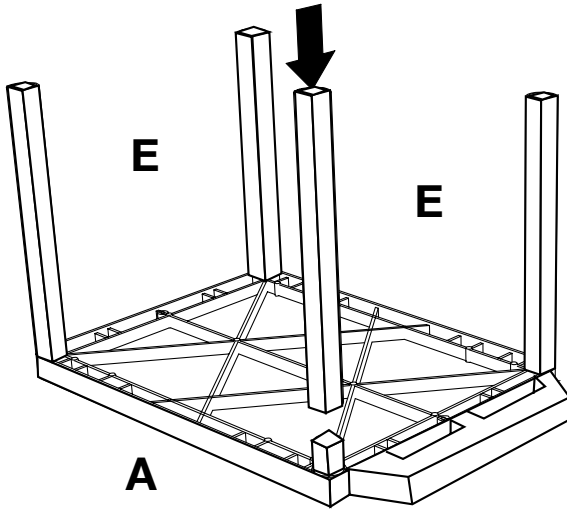


M x6

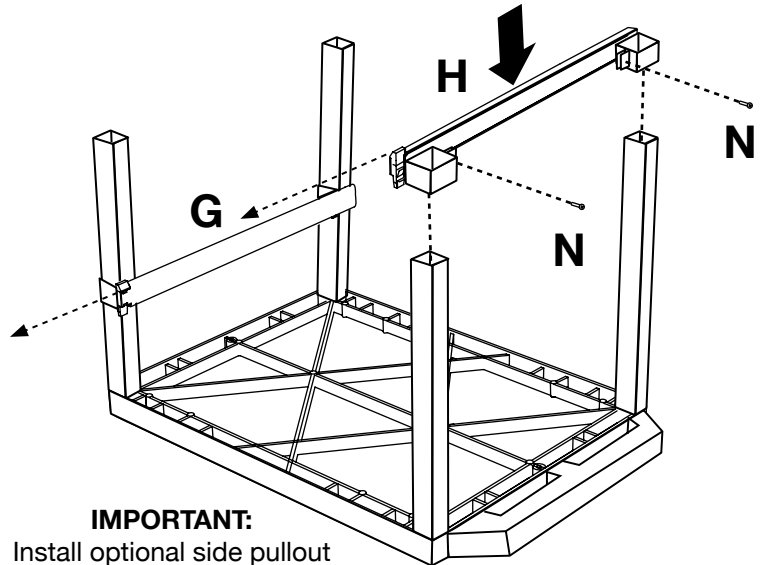


N x4

- 1** Lay the top shelf of your Tuffy cart upside down and install the four legs intended for this shelf.

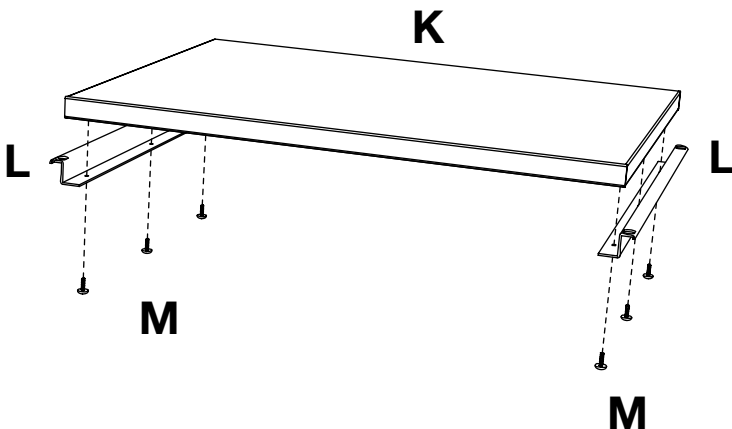


- 2** Slide and align runner **H** & **G** onto the legs and tighten screw **N** with a screwdriver.

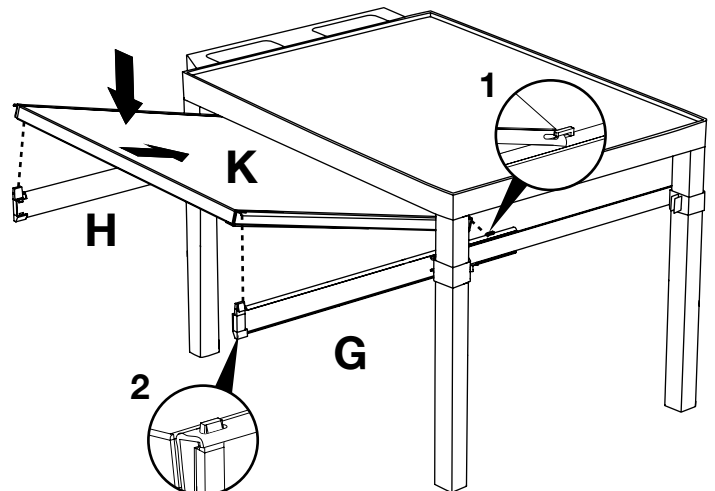


IMPORTANT:
Install optional side pullout shelf **AFTER** step 2

- 3** Take pullout shelf **K** and bracket **L** and screw together into the unfinished surface of shelf **K** with screw **M**.



- 4** Mount pullout shelf **K** to runner **H** & **G** so that the edge of the shelf snaps into the runner hooks.



You have now completed your pullout shelf.