

***H. Wilson 42" High Black
Tuffy Utility A/V Cart with
Cabinet and Pullout Shelf
(3-Shelf Black Legs)***

Instruction Manual



Provided by

MyBinding.com

When Image Matters.

Call Us at 1-800-944-4573

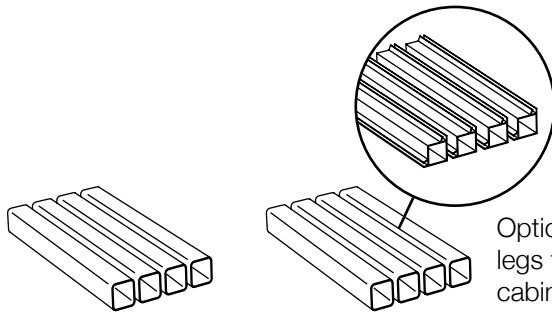
NOTICE:

Leg lengths of leg **E** may be shorter than leg **F**

Parts List

Tools Required

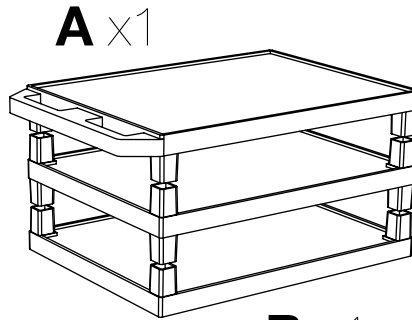
- Rubber Mallet



E x4

F x4

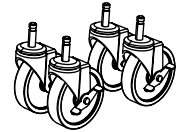
Optional fluted legs for units with cabinet pack



A x1

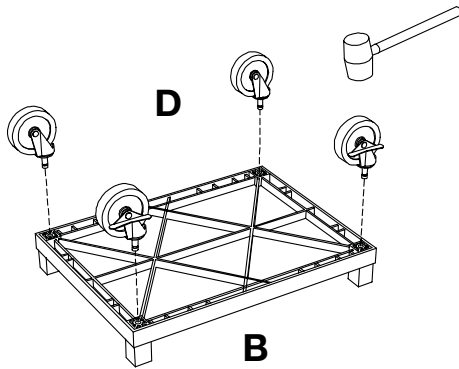
C x1

B x1



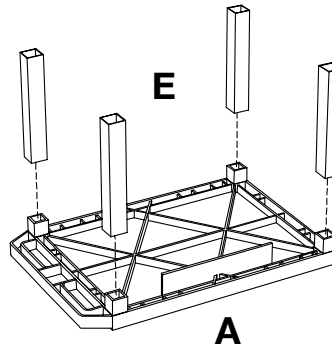
D x4

1

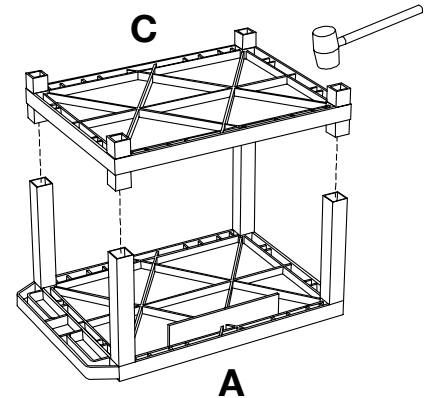


2

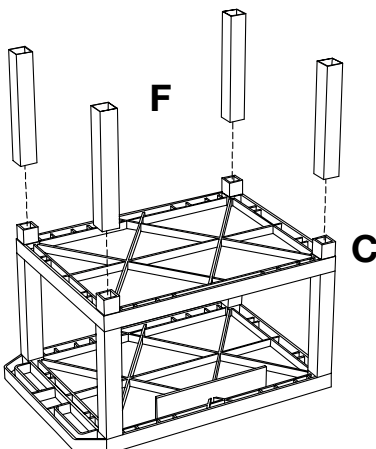
Install optional cabinet pack / pullout shelf / locking drawer assembly after step 1



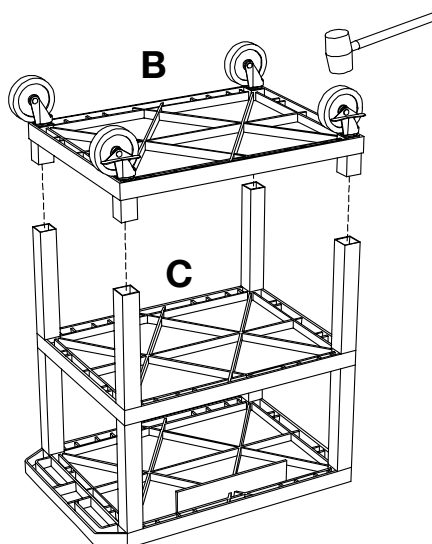
3



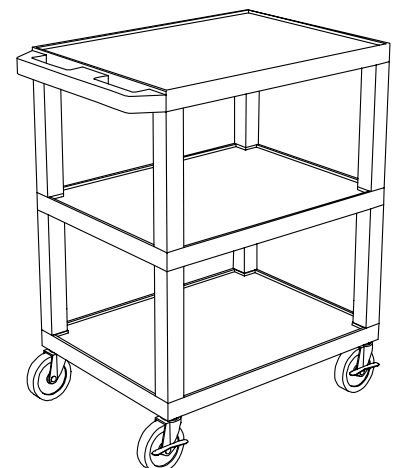
4



5



6

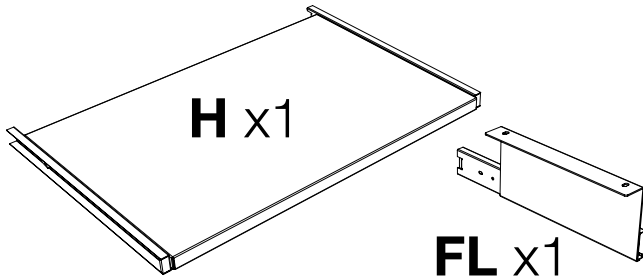


Pullout Keyboard Shelf Instructions

for Plastic Carts

Call Us at
1-800-944-4573
for Orders or Inquiries

Parts List



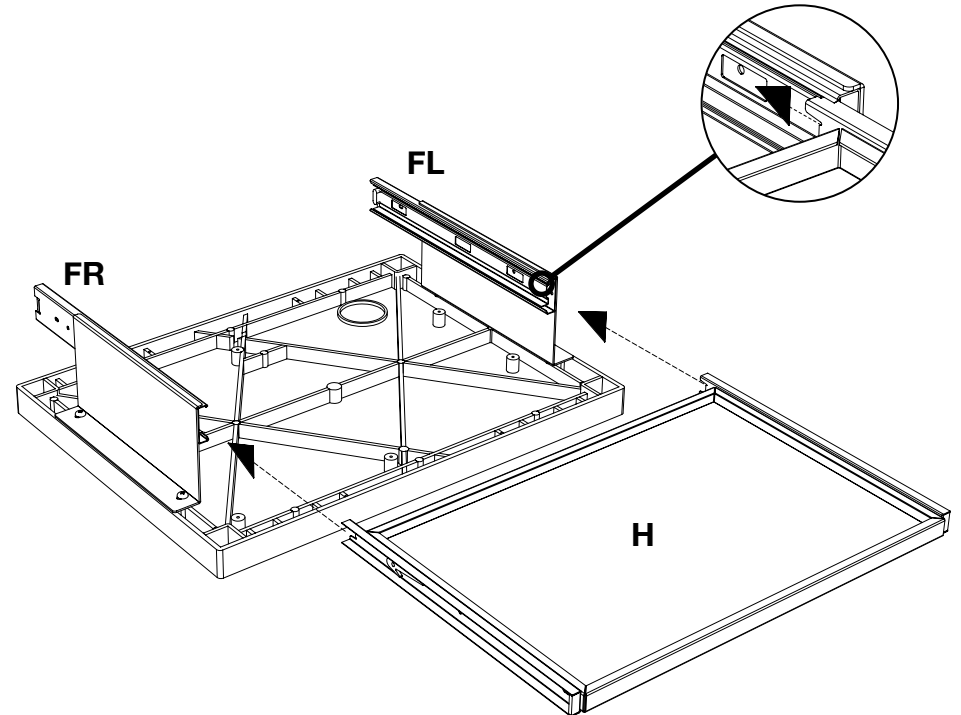
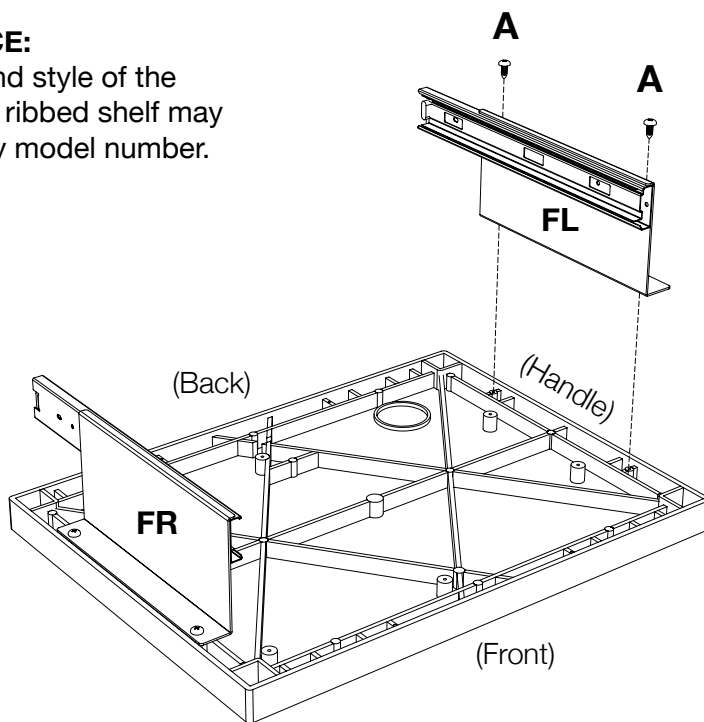
Tools Required

- Phillips Screwdriver



NOTICE:

Size and style of the plastic ribbed shelf may vary by model number.



Take the top shelf of your plastic cart and lay it flat. Collect parts: **FL**, **FR** & **A**. Align **FR** & **FL** to the outer holes at the top of the shelf. Take screw **A** and fasten with a screwdriver, do not tighten fully until keyboard is attached.

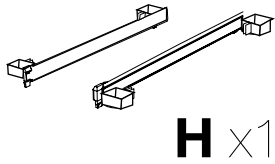
Collect parts: **H**. Align the pullout shelf **H** runner so that the runner snaps into place into the **FL** & **FR** brackets. Pull the shelf out to make sure it is fully seated. Tighten screws **A**. Pullout keyboard shelf assembly is now complete.

Parts List

Tools Required

- Phillips Screwdriver

G x1



H x1



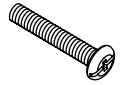
K x1



L x2

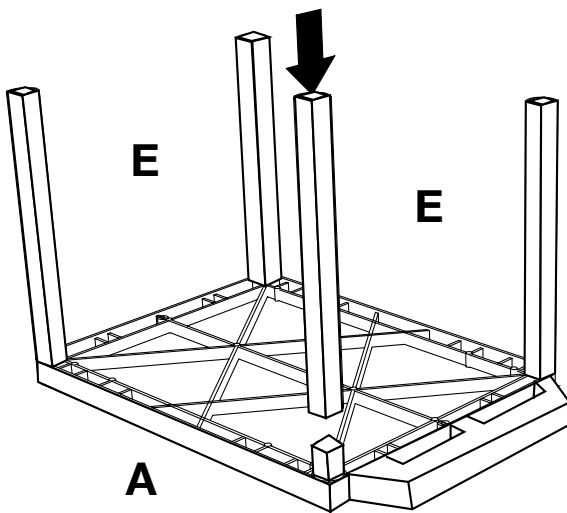


M x6

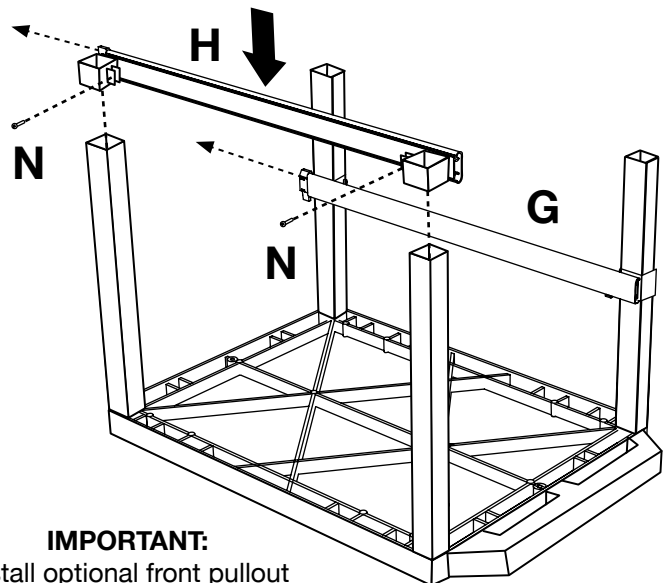


N x4

- 1** Lay the top shelf of your Tuffy cart upside down and install the four legs intended for this shelf.

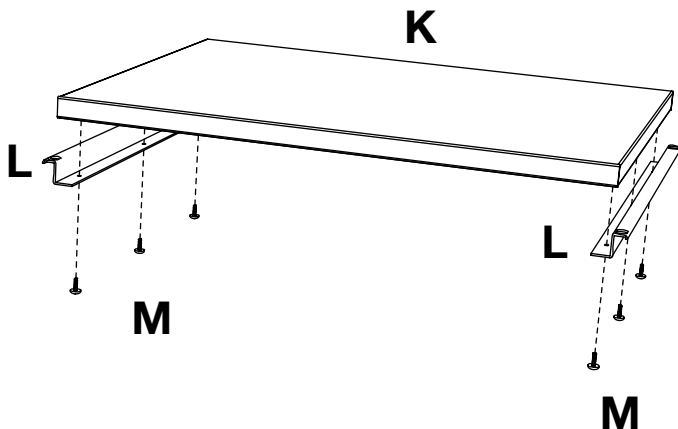


- 2** Slide and align runner **H** & **G** onto the legs and tighten screw **N** with a screwdriver.

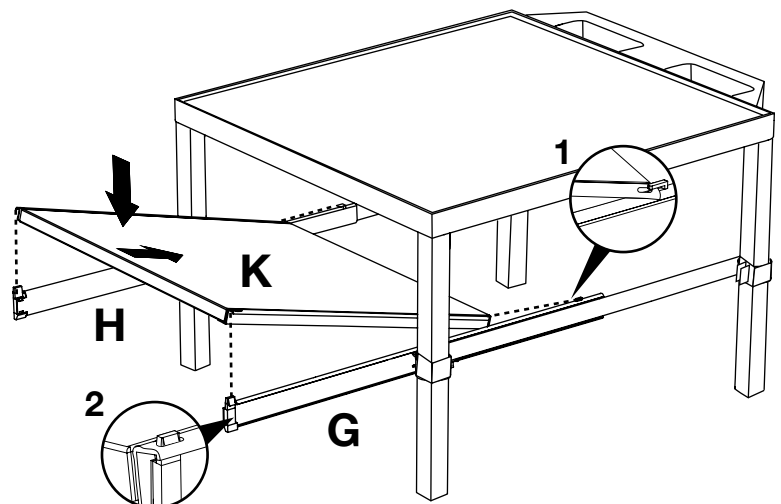


IMPORTANT:
Install optional front pullout shelf **BEFORE** step 2

- 3** Take pullout shelf **K** and bracket **L** and screw together into the unfinished surface of shelf **K** with screw **M**.



- 4** Mount pullout shelf **K** to runner **H** & **G** so that the edge of the shelf snaps into the runner hooks.



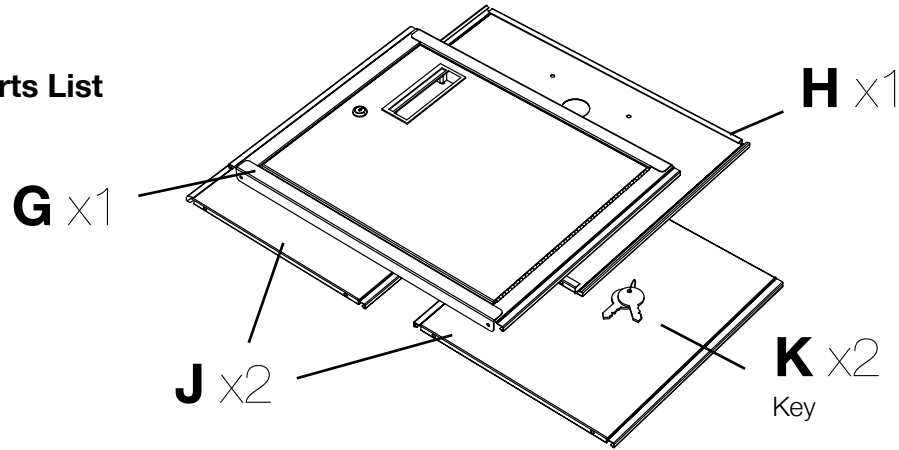
You have now completed your pullout shelf.

Tuffy Cart Cabinet

Pack Instructions

Please consult your Tuffy cart base unit instructions before starting

Parts List



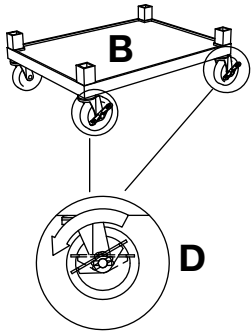
Tools Required

- Rubber Mallet

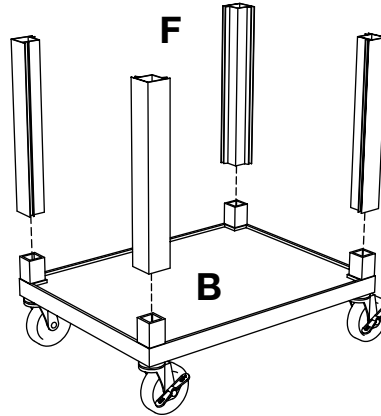
Call Us at
1-800-944-4573
for Orders or Inquiries

1

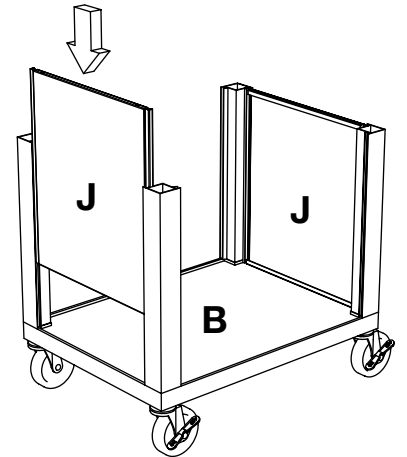
IMPORTANT: Flip shelf **B**, and lock the 2 locking casters **D** before assembling the unit.



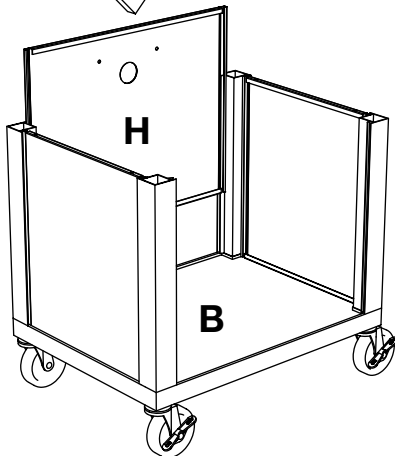
2



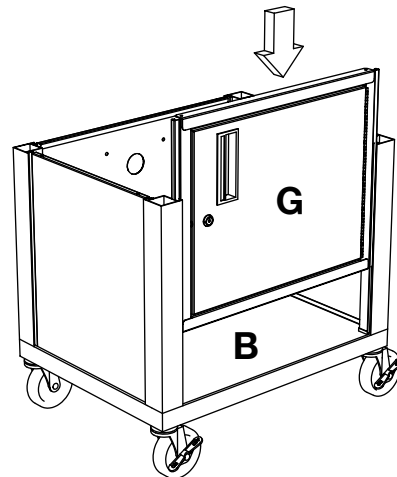
3



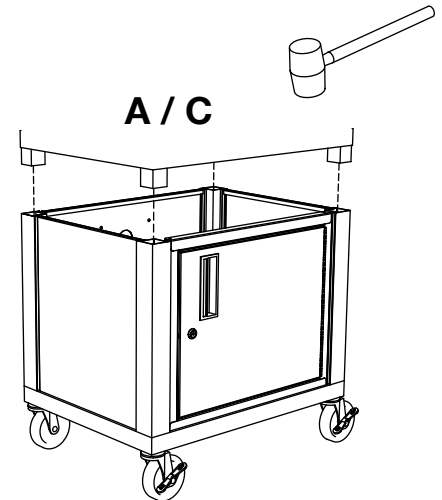
4



5



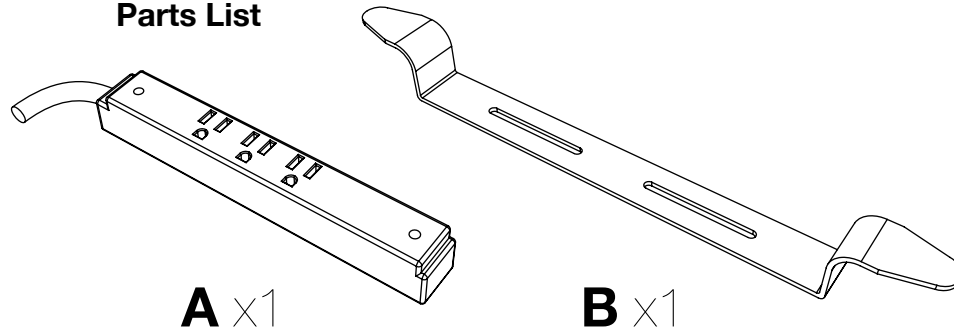
6



Electric Assembly Instructions

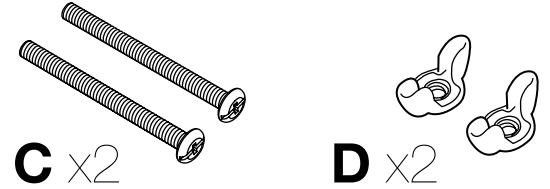
Number of outlets
may vary.

Parts List

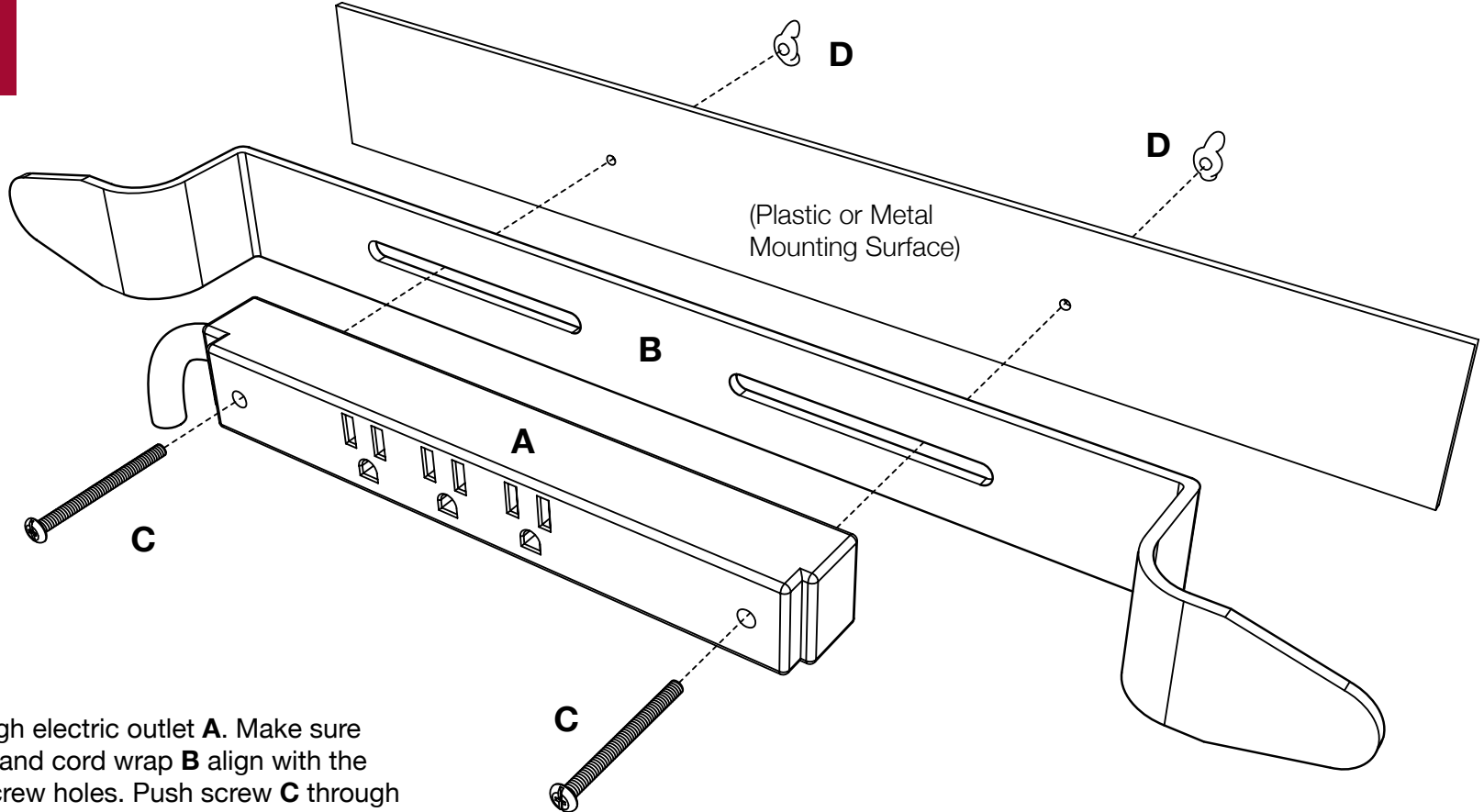


Tools Required

- Screwdriver



Call Us at
1-800-944-4573
for Orders or Inquiries



1

Push screw **C** through electric outlet **A**. Make sure the electric outlet **A** and cord wrap **B** align with the mounting surface screw holes. Push screw **C** through cord wrap **B** and the mounting surface screw holes. Use wing nut **D** and screwdriver to fasten.