

***H. Wilson 42" High
Black Tuff Utility A/V
Cart with Pullout Shelf
(3-Shelf Putty Legs)***

Instruction Manual



Provided by

MyBinding.com

When Image Matters.

Call Us at 1-800-944-4573

www.luxorfurn.com
www.hwilson.com

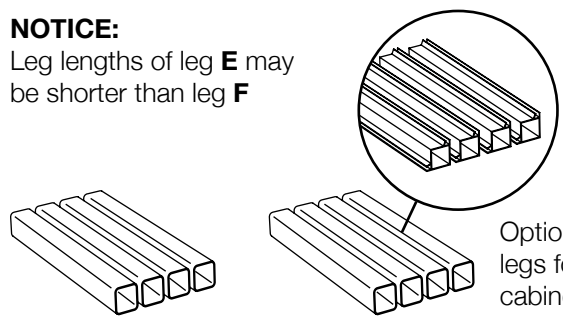
Parts List

Tools Required

- Rubber Mallet

NOTICE:

Leg lengths of leg **E** may be shorter than leg **F**

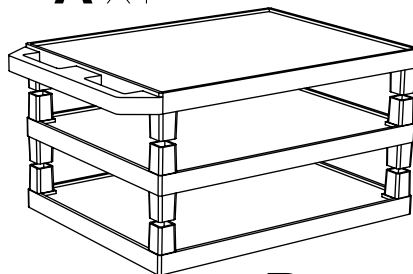


E x4

F x4

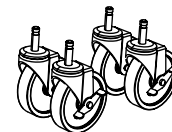
Optional fluted legs for units with cabinet pack

A x1



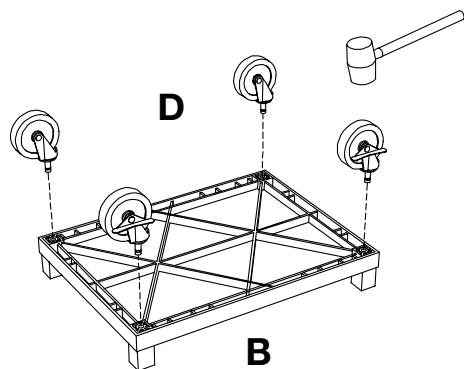
B x1

C x1



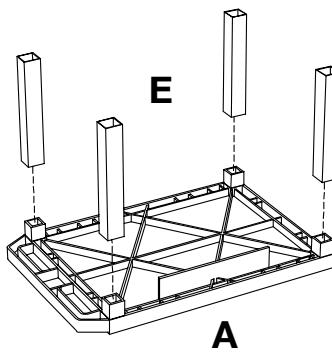
D x4

1

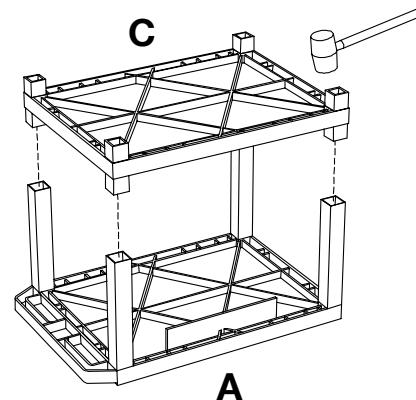


2

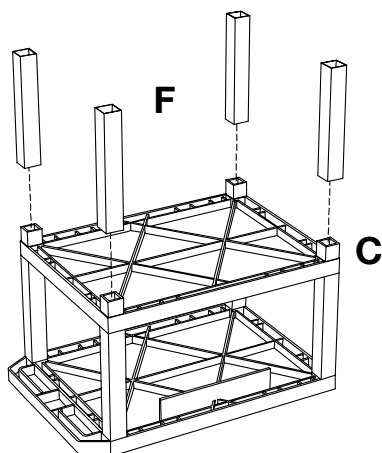
Install optional cabinet pack / pullout shelf / locking drawer assembly after step 1



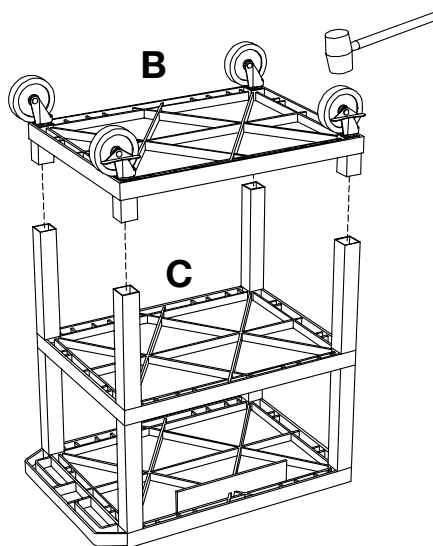
3



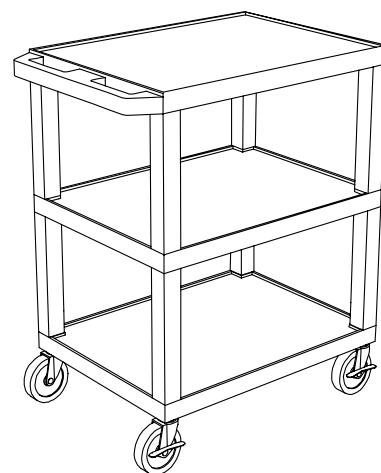
4



5



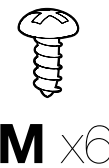
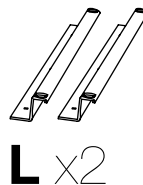
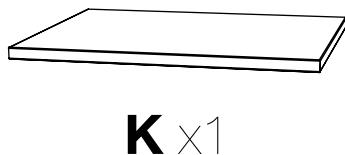
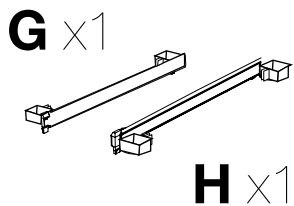
6



Parts List

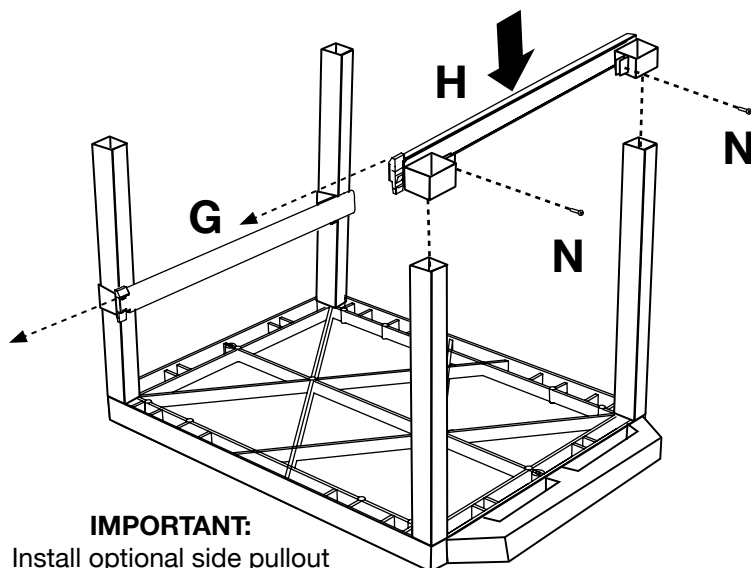
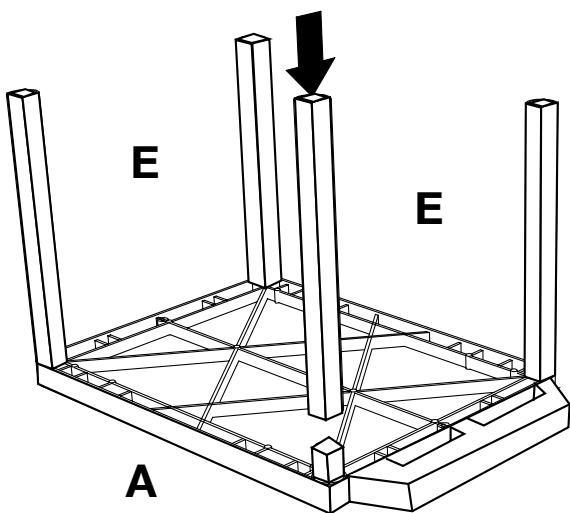
Tools Required

- Phillips Screwdriver



1 Lay the top shelf of your Tuffy cart upside down and install the four legs intended for this shelf.

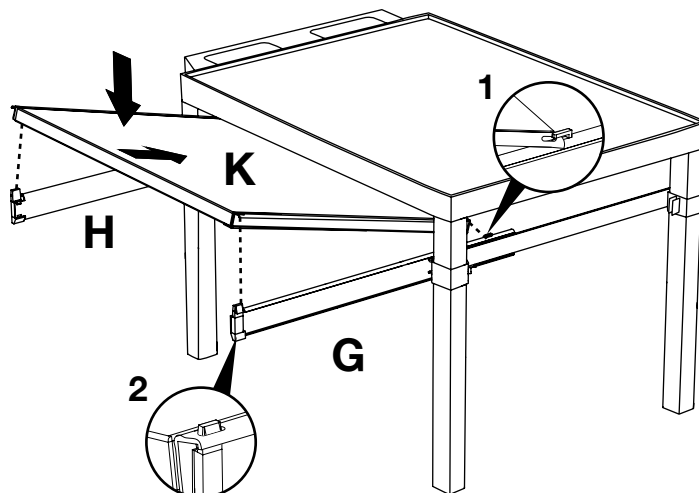
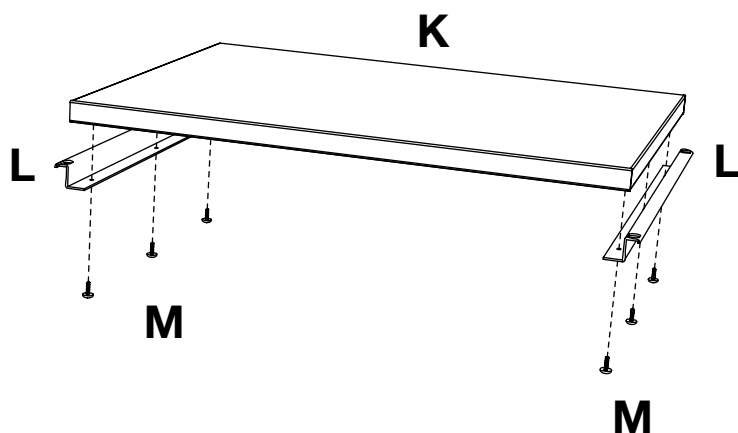
2 Slide and align runner **H** & **G** onto the legs and tighten screw **N** with a screwdriver.



IMPORTANT:
Install optional side pullout shelf **AFTER** step 2

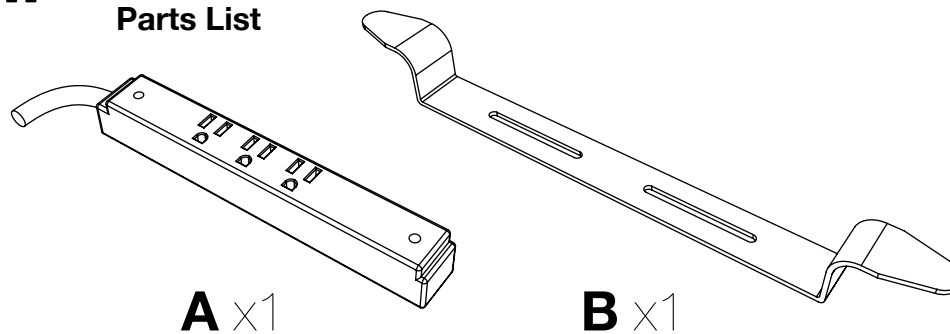
3 Take pullout shelf **K** and bracket **L** and screw together into the unfinished surface of shelf **K** with screw **M**.

4 Mount pullout shelf **K** to runner **H** & **G** so that the edge of the shelf snaps into the runner hooks.



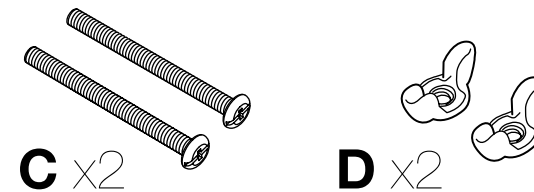
You have now completed your pullout shelf.

Parts List



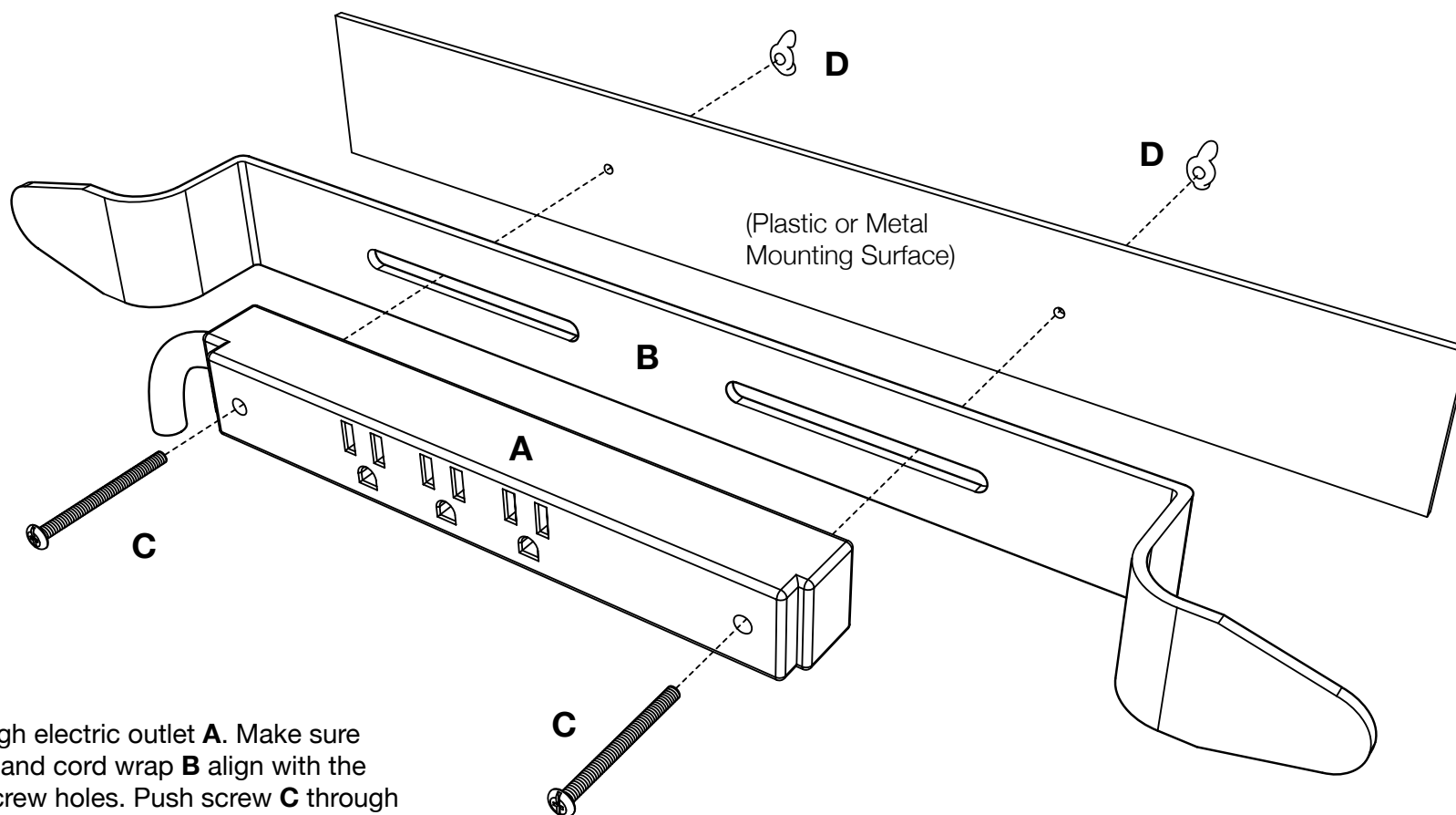
Tools Required

- Screwdriver



Electric Assembly Instructions

Number of outlets may vary.



1

Push screw **C** through electric outlet **A**. Make sure the electric outlet **A** and cord wrap **B** align with the mounting surface screw holes. Push screw **C** through cord wrap **B** and the mounting surface screw holes. Use wing nut **D** and screwdriver to fasten.