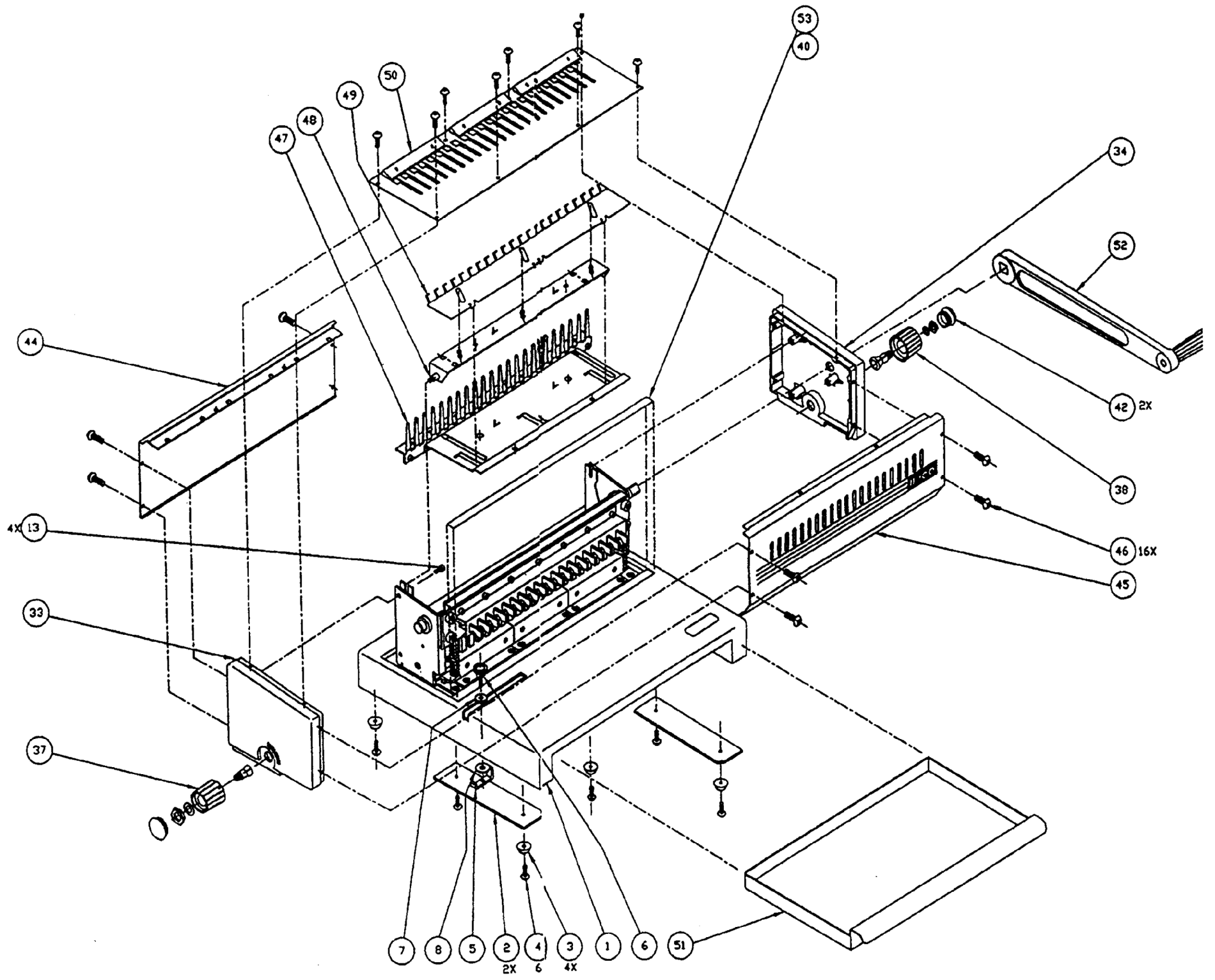
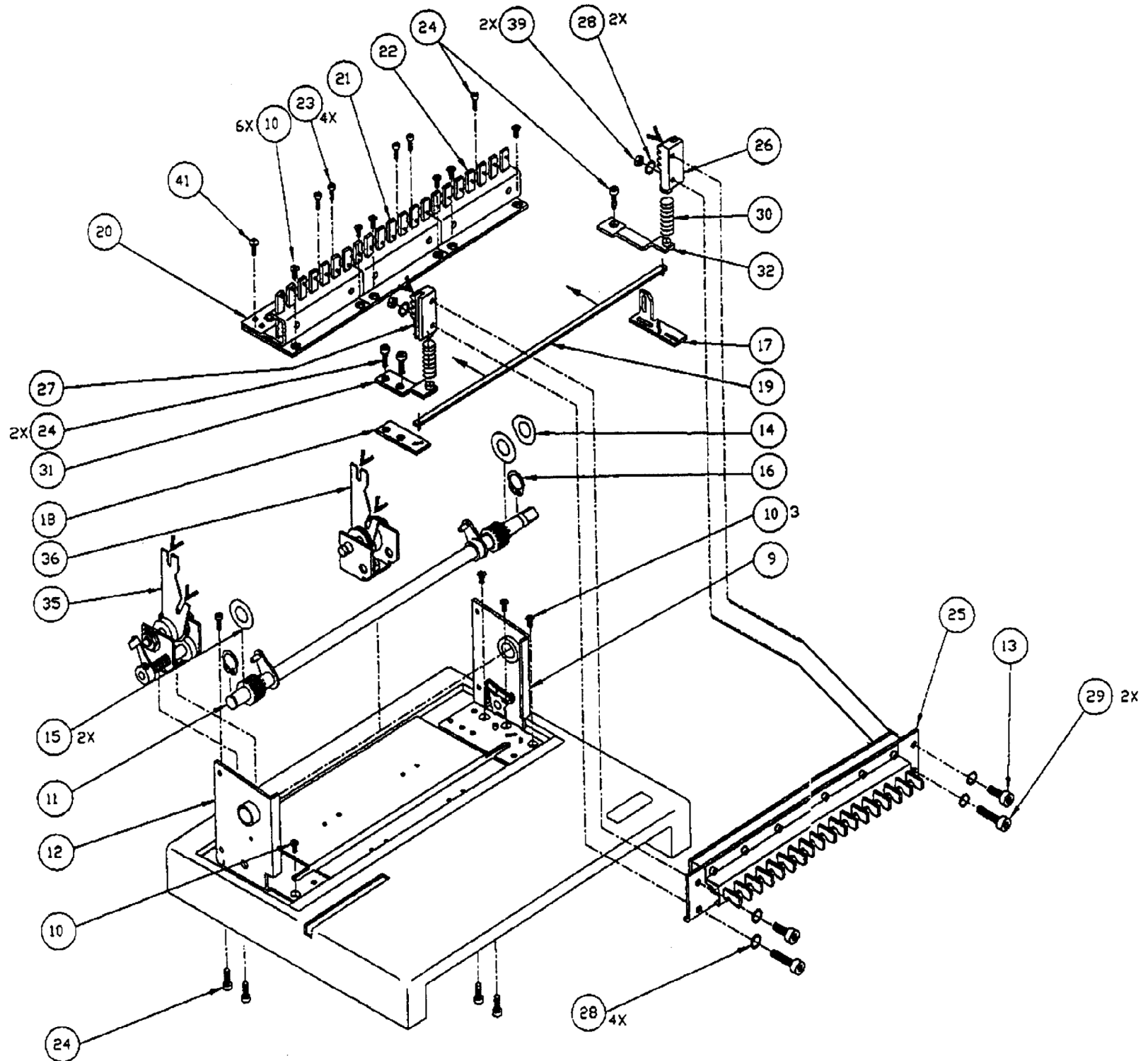


KOMBO PARTS LIST





8.0 PARTS LIST

ITEM	GBC#	IBICO#	DESCRIPTION	QTY.
1)	7400602	2230043	CHASSIS PB 21	1
2)	7400520	2232031	DRAWER GUIDE	2
3)	7400521	2218210	RUBBER FOOT	4
4)	1907204		8-32X1/2 SLTD. HEX SELF TAP SCREW	6
5)	7400522	2216032	STOP,PAPER GUIDE	1
6)	7400523	2215910	ADJUSTING SCREW	1
7)	7400524	2216110	WASHER	1
8)	1800301	9930300	WASHER M6	1
9)	7400586	1111790	BEARING BRACKET ASS. (RIGHT)	1
10)	1800105	9902400	PHILIPS SCREW FLT HD M5X10	10
11)	7400588	1132090	AXLE COMPLETE	1
12)	7400587	1112390	BEARING BRACKET ASS. (LEFT)	1
13)	1800133	9901000	ALLEN SCREW M5X10 BURNISHED	7
14)	7400619	2234410	SPRING WASHER	1
15)	1800306	9930900	DISTANCE PLATE 14X26X0.5	2
16)	1800455	9950400	RETAINING RING A14	2
17)	7400620	2215129	PAPER STOP LEVER	1
18)	7400621	2215229	PAPER STOP GUIDE	1
19)	7400622	1116390	PAPER STOP RAIL CPL.	1
20)	7400589	1103490	PUNCH BLOCK ASS. (LEFT)	1
21)	7400510	1103690	PUNCH BLOCK ASS. (CENTER)	1
22)	7400590	1103790	PUNCH BLOCK ASS. (RIGHT)	1
23)	1800103	9900300	ALLEN SCREW M5X12 BURNISHED	4
24)	1800108	9900500	ALLEN SCREW M5X16 BURNISHED	8
25)	7400591	1112790	PRESSURE BEAM ASS.	1
26)	7400592	1116690	TOOTHED RACK ASS. (RIGHT)	1

8.0 PARTS LIST

27)	7400593	1116790	TOOTHED RACK ASS. (LEFT)	1
28)	1800307	9940100	SPRING LOCK WASHER M5	6
29)	1800110	9901100	ALLEN SCREW M5X20 BURNISHED	2
30)	7400634	2213610	PRESSURE SPRING	2
31)	7400594	1116590	SPRING HOLDER ASS. (LEFT)	1
32)	7400595	1116490	SPRING HOLDER ASS. (RIGHT)	1
33)	7400638	2230843	COVER PLATE LEFT	1
34)	7400639	2230943	COVER PLATE(RIGHT)	1
35)	7400596	1132890	HINGE ASS. (LEFT)	1
36)	7400597	1132990	HINGE ASS. (RIGHT)	1
37)	7400651	2234500	CONTROL KNOB	1
38)	7400652	2226000	KNOB	1
39)	1800402	9920500	NUT	2
40)	1960530		LOCTITE	1
41)	1800113	9911300	SCREW	1
42)	7400653	2226100	KNOB COVER	2
43)	1961503		LUBRIPLATE #130-AA	1
44)	7400598	1133590	BACK COVER IBICO-GREY	1
45)	7400599	1133490	FRONT COVER IBICO-GREY	1
46)	1800107	9903000	THREAD CUTTING SCREW M3X8	16
47)	7400505	1131090	COMB ASS.	1
48)	7400656	1133029	CARRIER CPL.	1
49)	7400542	2230320	SLIDE	1
50)	7400659	1130190	COVER PLATE ASS.	1
51)	7400661	2233710	DRAWER	1
52)	7400600	1132290	LEVER COMPLETE , GREY KOMBO	1
53)	7400667	0640051	RULER, KOMBO SELF ADHESIVE	1