

# ***Keencut Stand Package for 42" Advanced Rotary Cutter - STP3***

Instruction Manual



*Provided by*

**MyBinding.com**  
*When Image Matters.*

Call Us at 1-800-944-4573



# Cutter Stand

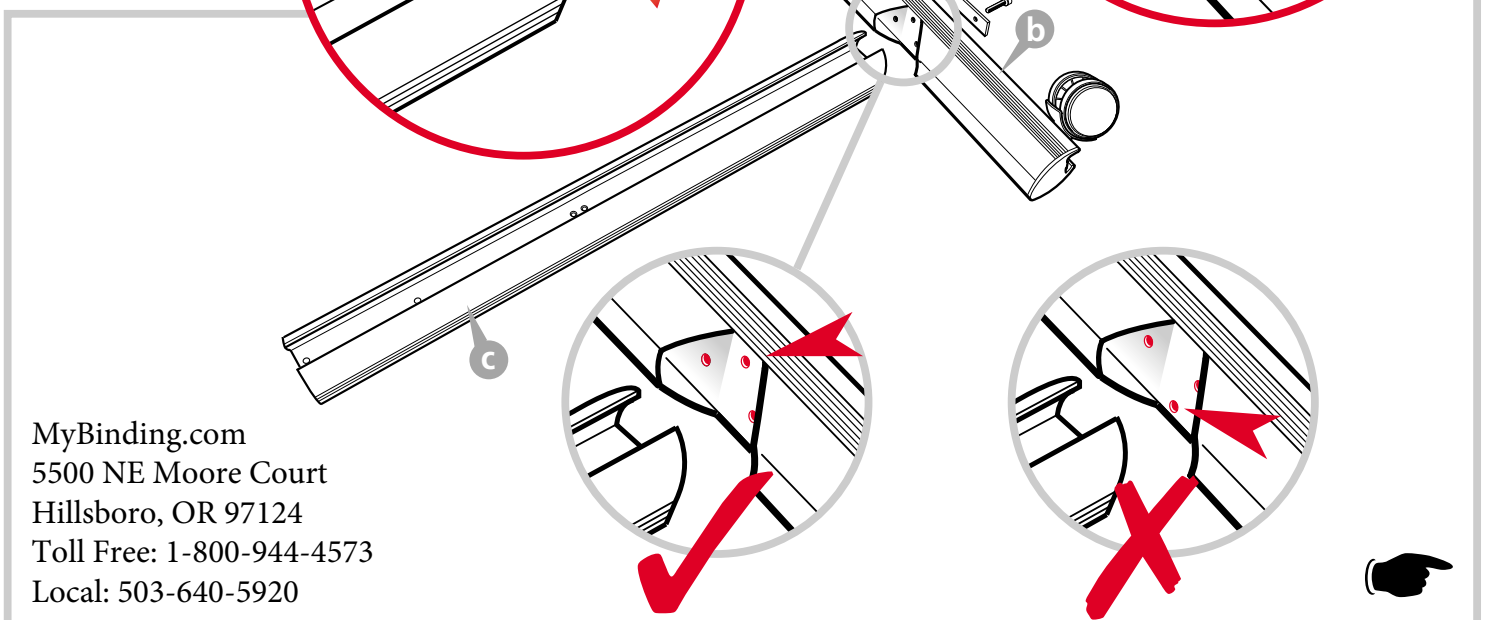
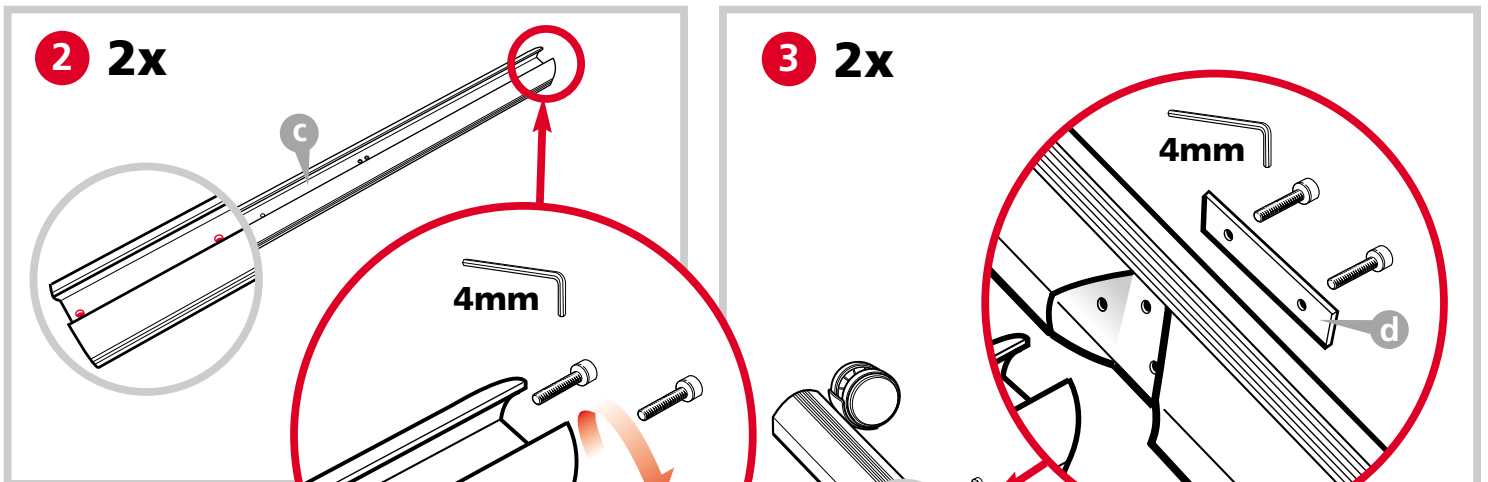
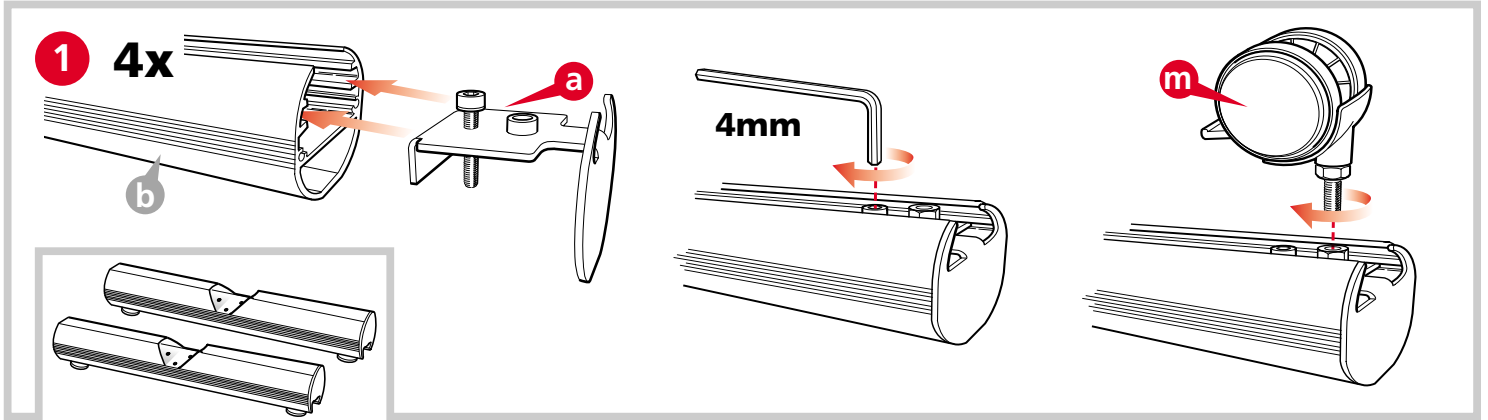
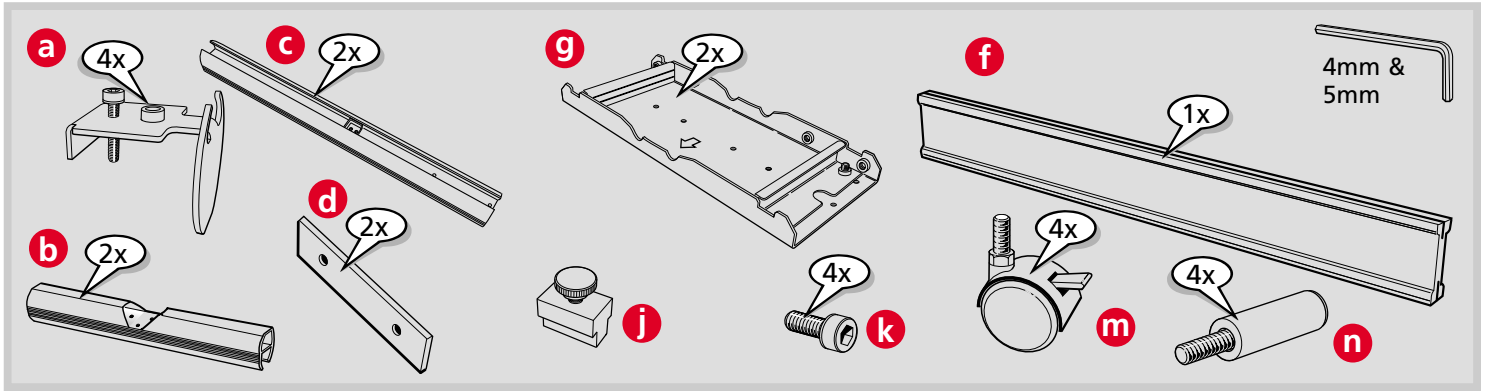
*Inspired Design – Precision Engineering*

## ASSEMBLY INSTRUCTIONS

Thank you for choosing the Keencut Cutter Stand. Every effort has been made to bring you a precision engineered product with the promise of many years of valuable service.



**CUTTER STAND**  
with Optional ROLL FEED & WASTE CATCHER

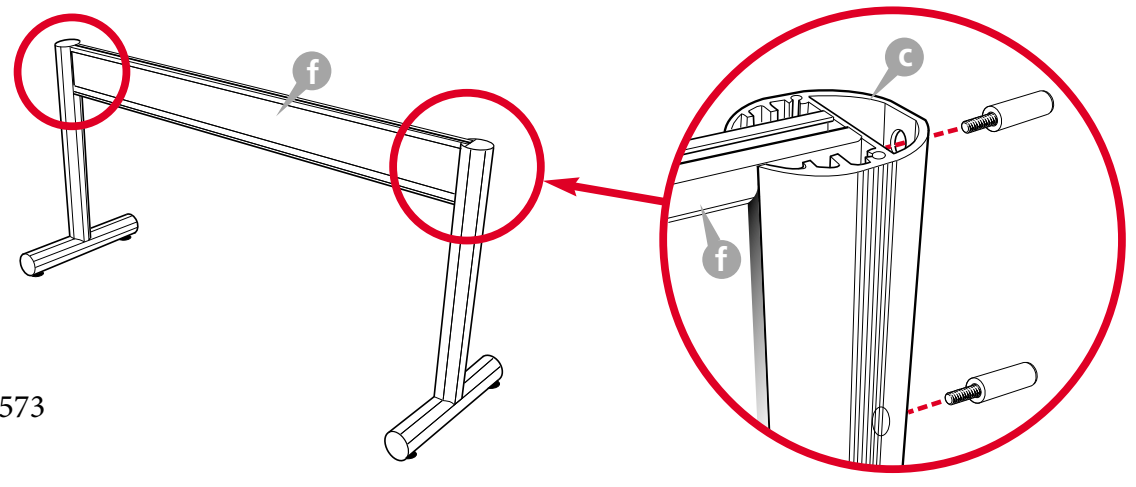


MyBinding.com  
5500 NE Moore Court  
Hillsboro, OR 97124  
Toll Free: 1-800-944-4573  
Local: 503-640-5920



**4 2x**

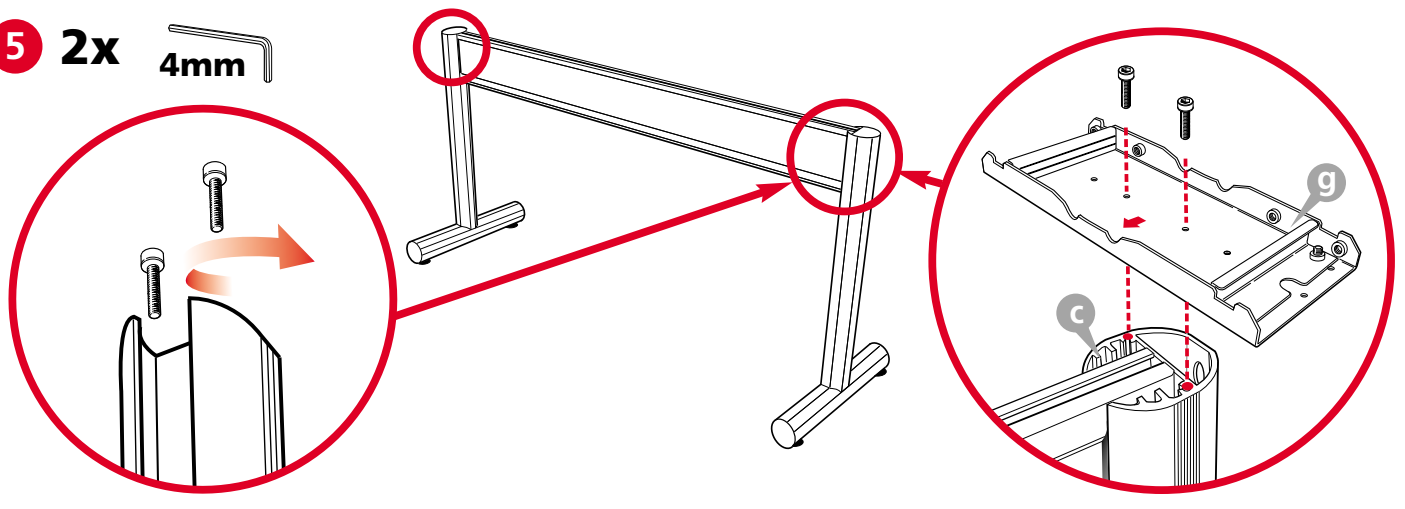
**4mm**



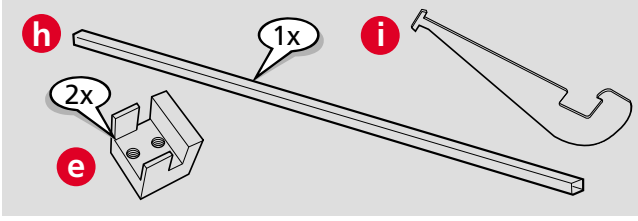
MyBinding.com  
 5500 NE Moore Court  
 Hillsboro, OR 97124  
 Toll Free: 1-800-944-4573  
 Local: 503-640-5920

**5 2x**

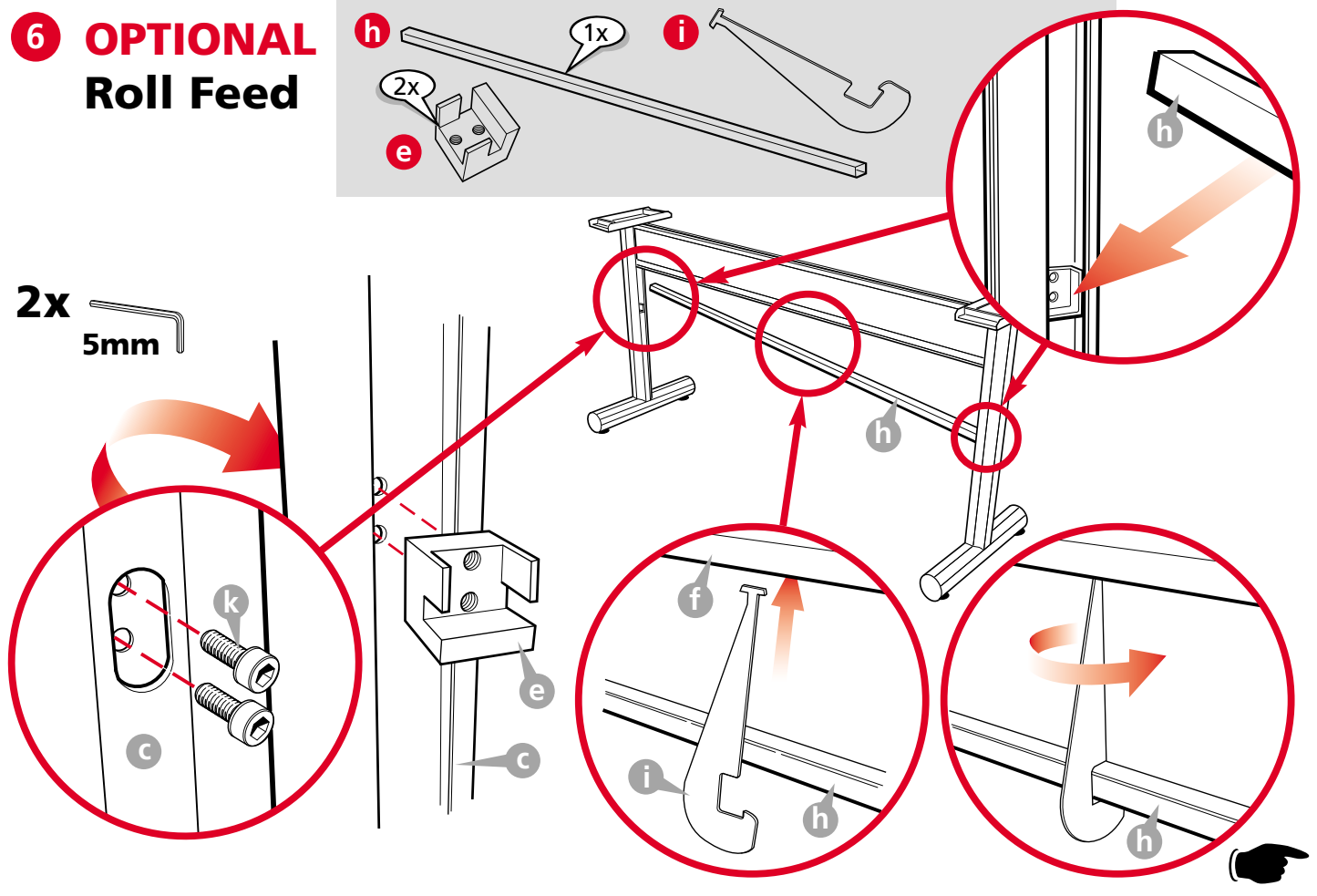
**4mm**



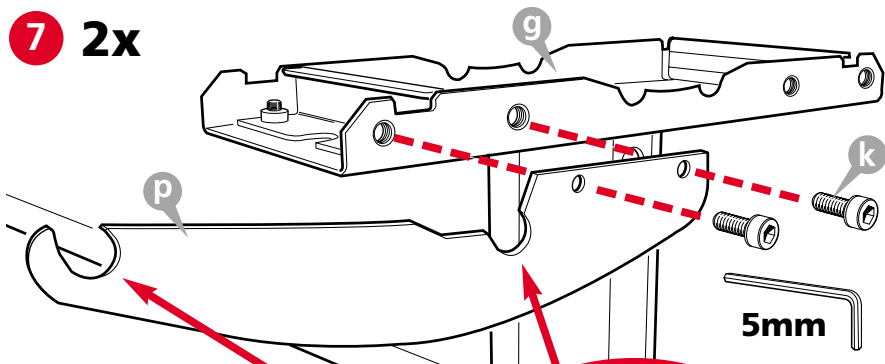
**6 OPTIONAL Roll Feed**



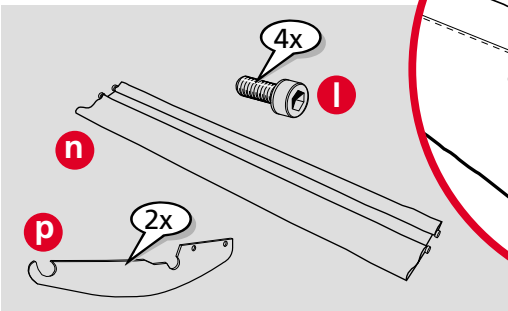
**2x 5mm**



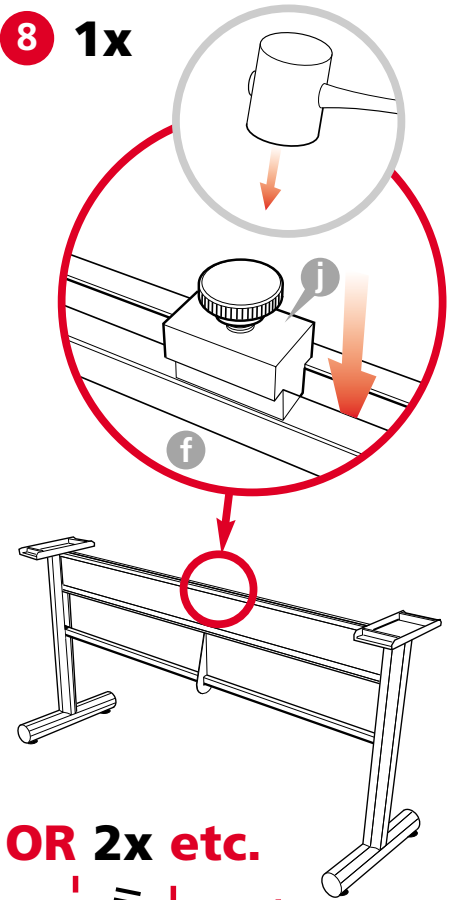
**7 2x**



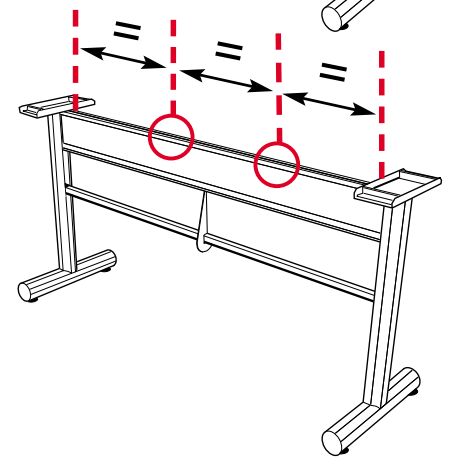
**OPTIONAL  
Waste Catcher**



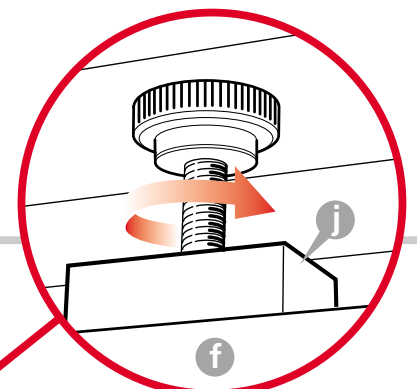
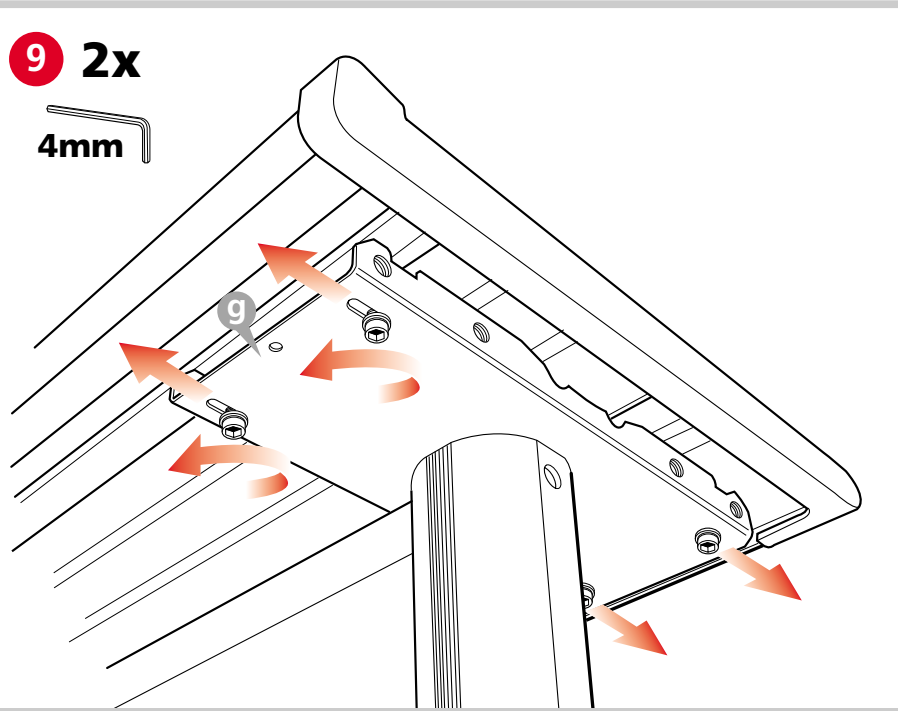
**8 1x**



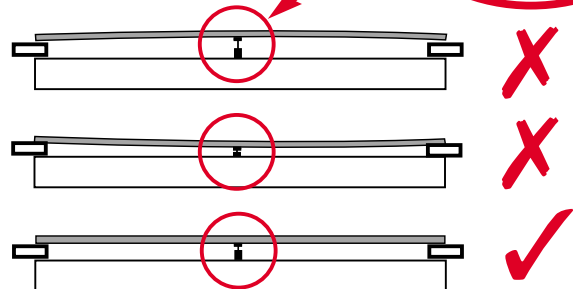
**OR 2x etc.**



**9 2x**



**10 1x or 2x etc.**



MyBinding.com  
 5500 NE Moore Court  
 Hillsboro, OR 97124  
 Toll Free: 1-800-944-4573  
 Local: 503-640-5920