

Ledco Signmaster 44" Laminator

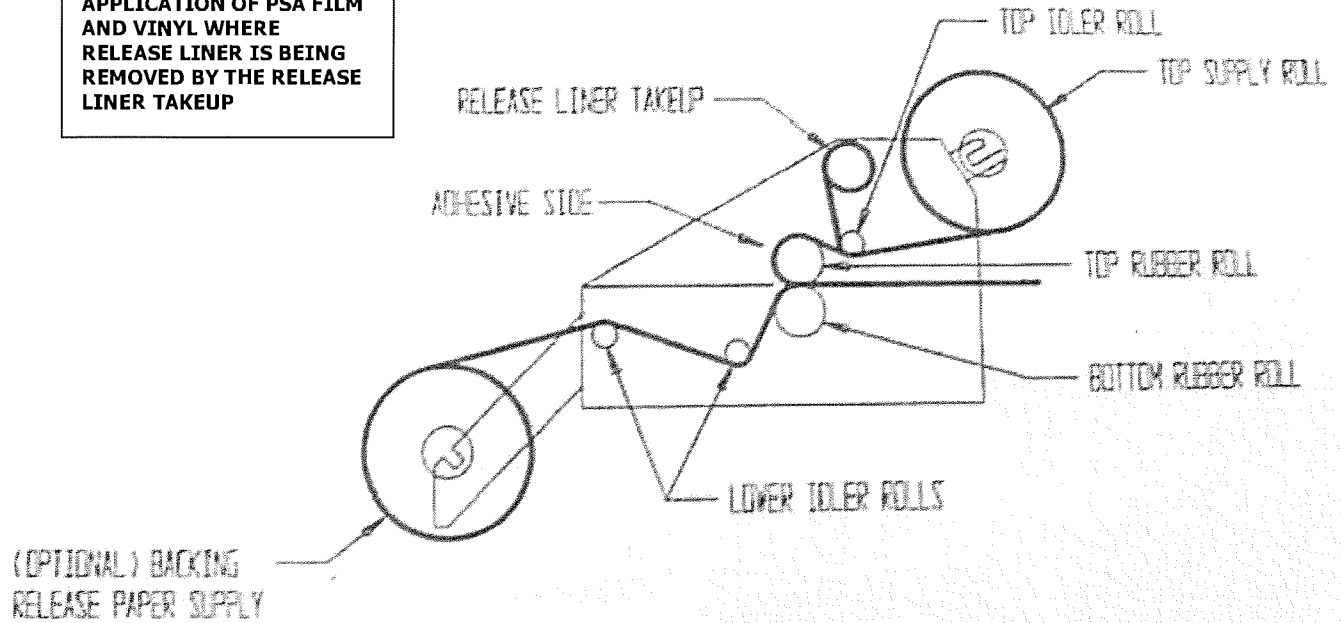
Threading Diagram



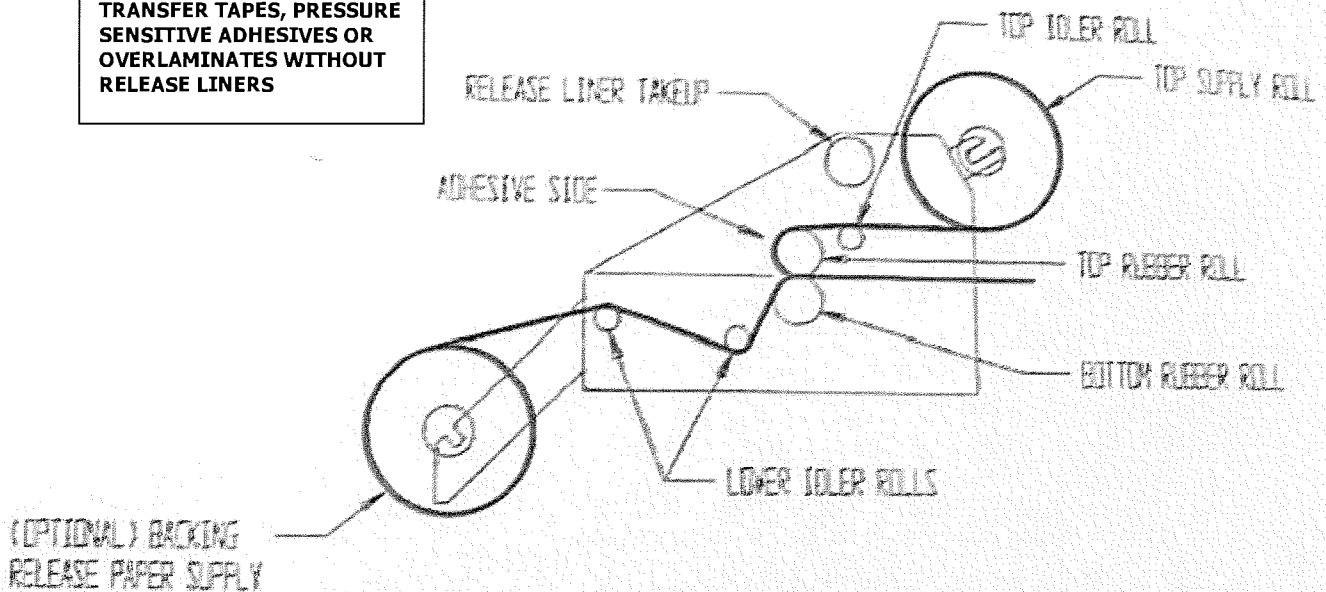
Provided By

MyBinding.com®
When Image Matters.

APPLICATION OF PSA FILM AND VINYL WHERE RELEASE LINER IS BEING REMOVED BY THE RELEASE LINER TAKEUP



APPLICATION OF PREMASKS, TRANSFER TAPES, PRESSURE SENSITIVE ADHESIVES OR OVERLAMINATES WITHOUT RELEASE LINERS



NOTE: The operator must use a backing paper either from a supply roll or in sheets to prevent adhesive from adhering to the machine