

# ***Luxor Black Adjustable Height Metal Cart with Keyboard Tray and Drop Leaf Shelves***

Sell Sheet



*Provided by*

**MyBinding.com**

*When Image Matters.*

Call Us at 1-800-944-4573

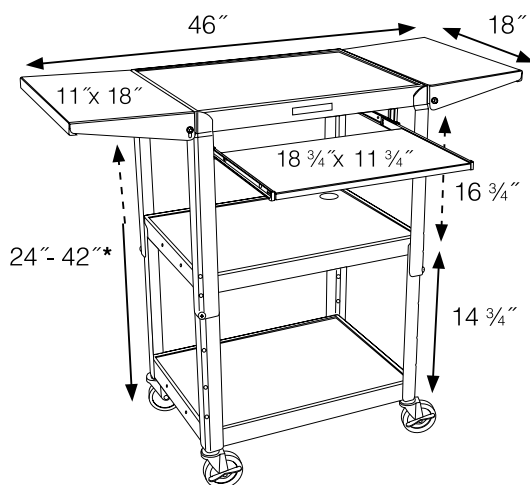
## Adjustable Height Steel A/V Cart



**AVJ42KBDL-RD**  
24"W x 18"D x 42"H



- Multipurpose steel utility cart perfect for use with audio/video equipment and more
- Roll formed shelves with powder coat paint finish
- Tables are robotically-welded for stability, with easy-access cable holes to keep the cart clean, organized and safe
- Measures 24"W x 18"D x 42"H with adjustable height from 24" to 42" in 2" increments
- Drop leaf side shelves measure 11<sup>3</sup>/<sub>4</sub>"W x 18<sup>3</sup>/<sub>4</sub>"D
- Keyboard shelf measures 18"W x 11"D
- .25" retaining lip borders flat shelves
- Rolling cart with four 4" silent roll, full swivel ball bearing casters, two with locking brake
- Three-outlet, 15' UL and CSA listed electrical assembly with cord plug snap



\* - in 2" increments

**MADE IN  
USA**