

***Luxor 3-Shelf Black Extra-Large  
Adjustable-Height Steel Audio/  
Visual Cart - AVJ42XL***

**Instruction Manual**



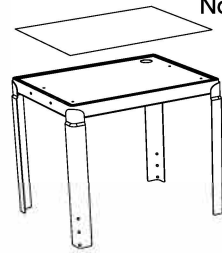
*Provided by*

**MyBinding.com**  
*When Image Matters.*

Call Us at 1-800-944-4573

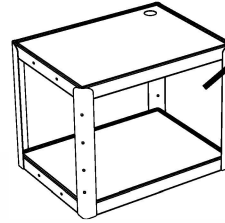
## Adjustable Height Metal Cart Instructions

### Parts List

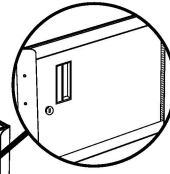


**A** x1

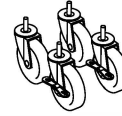
Non-slip mat



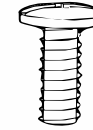
**B** x1



Cabinet comes pre-assembled on units that include a cabinet.



**C** x4



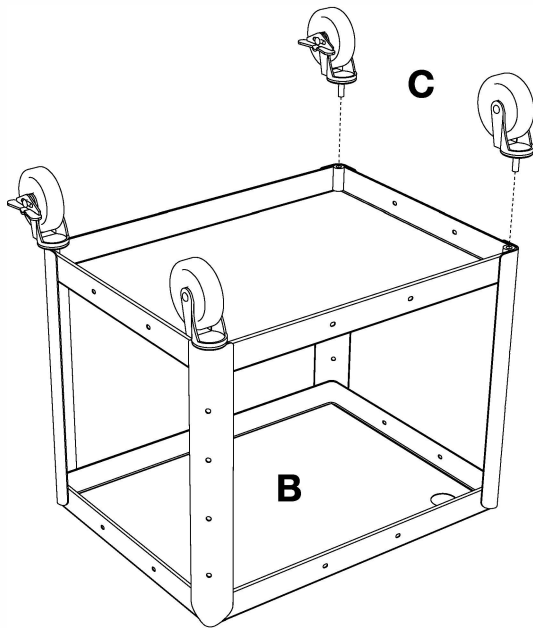
**D** x4



**E** x4

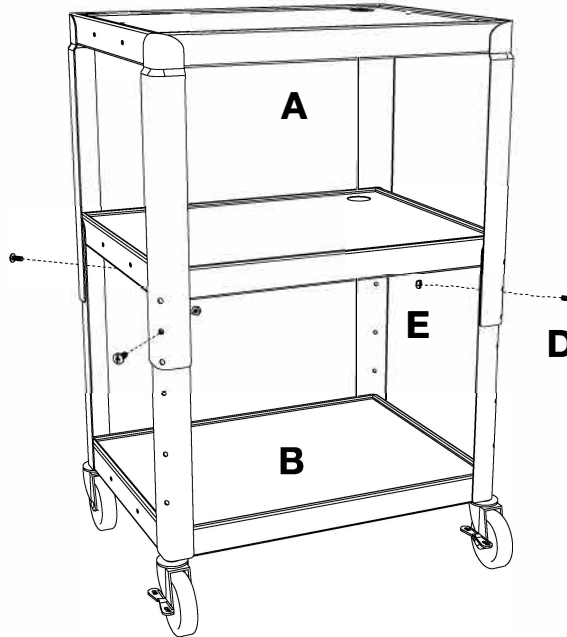
### Tools Required

- Phillips Screwdriver
- Rubber Mallet
- Pliers or Adjustable Wrench



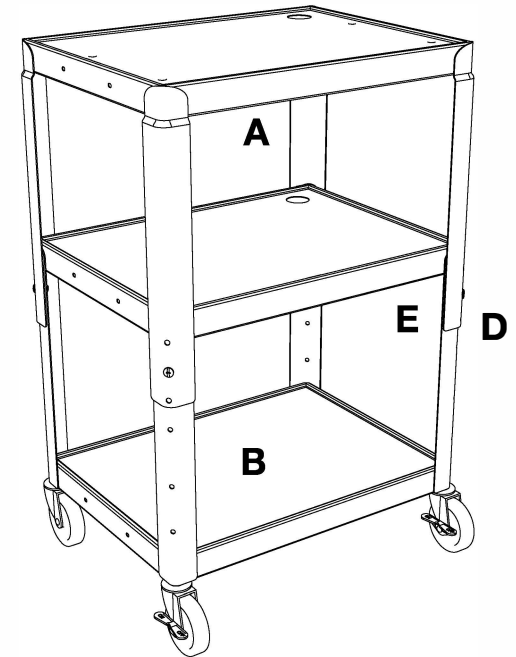
**1**

Position the bottom shelf **B** so that the caster holes are facing up. Insert caster **C** into the caster holes on the bottom of shelf **B**. Use a mallet to set the casters properly.



**2**

Flip bottom shelf **B** so that it is on its side. Set top shelf **A** so that it overlaps bottom shelf **B**. Align the screw holes so that the top shelf **A** is at the desired height.



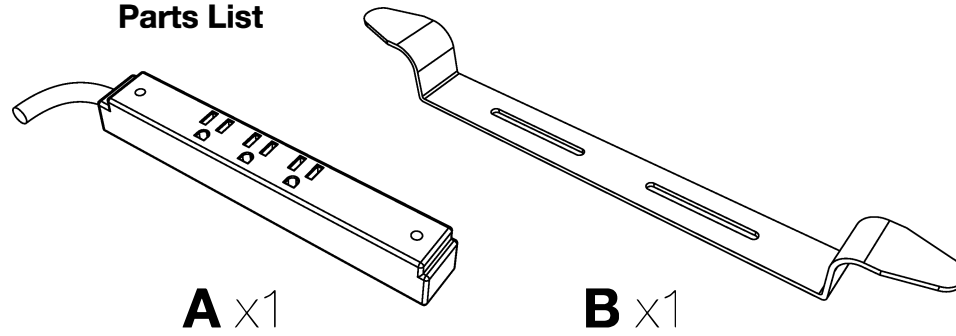
**3**

Insert screw **D** through the aligned screw hole of **A** and **B** and fasten nut **E** with pliers and screwdriver. Place Non-slip mat on desired shelf. The cart is now complete.

## Electric Assembly Instructions

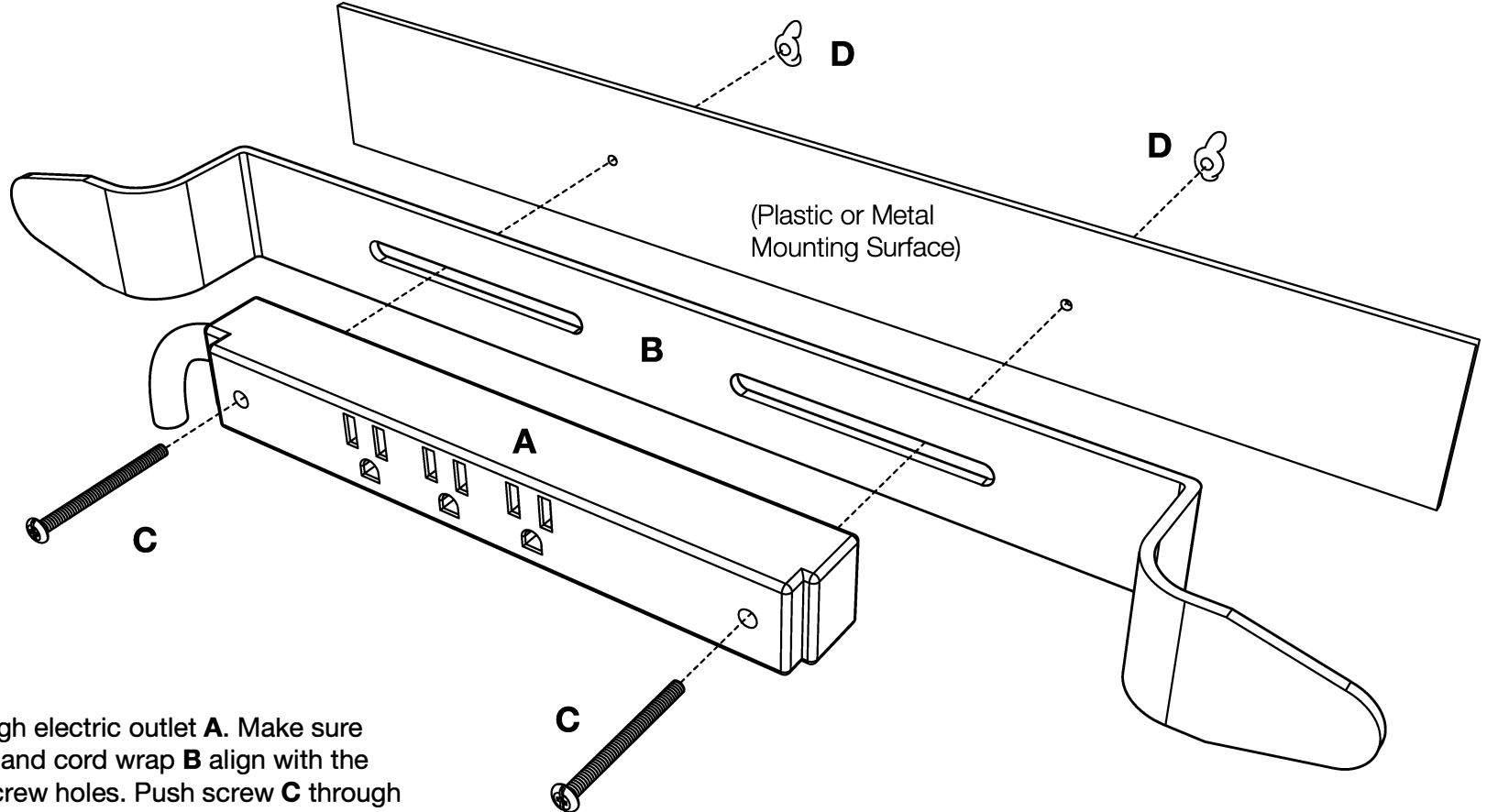
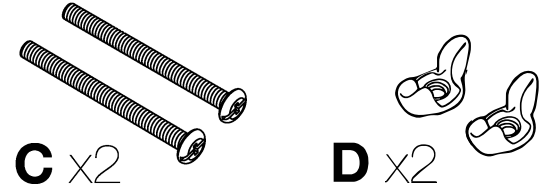
Number of outlets may vary.

### Parts List



### Tools Required

- Screwdriver



**1**

Push screw **C** through electric outlet **A**. Make sure the electric outlet **A** and cord wrap **B** align with the mounting surface screw holes. Push screw **C** through cord wrap **B** and the mounting surface screw holes. Use wing nut **D** and screwdriver to fasten.