

Luxor RECLAIM Clear Acrylic 24" x 30" Freestanding Counter Sneeze Guard

Instruction Manual



Provided by

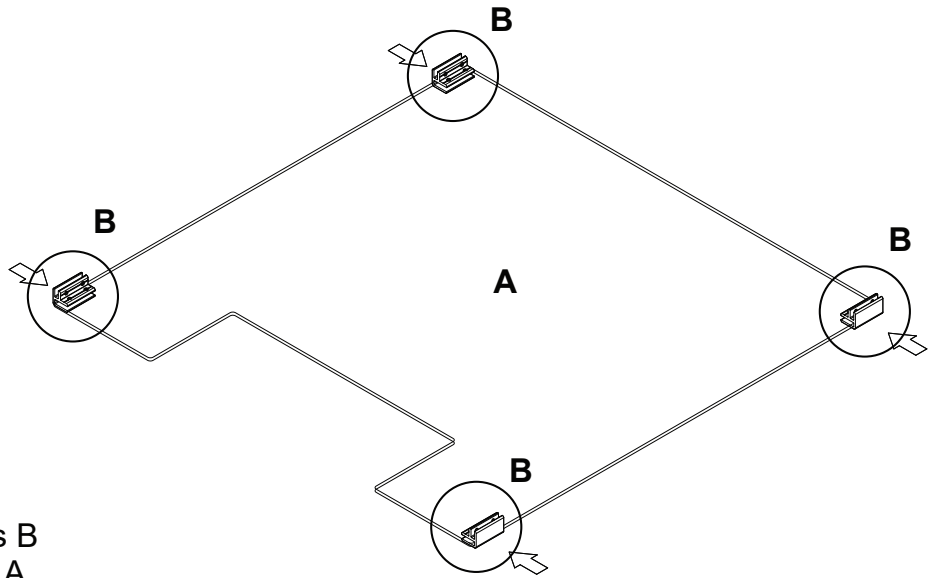
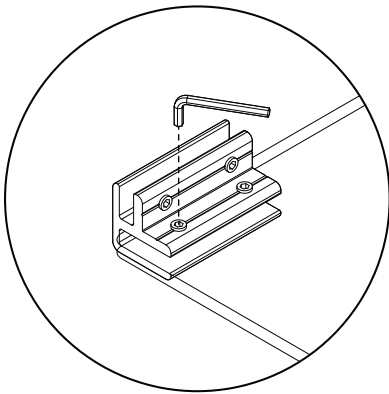
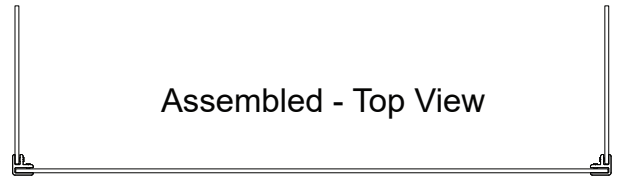
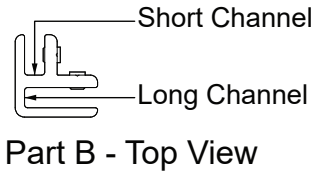
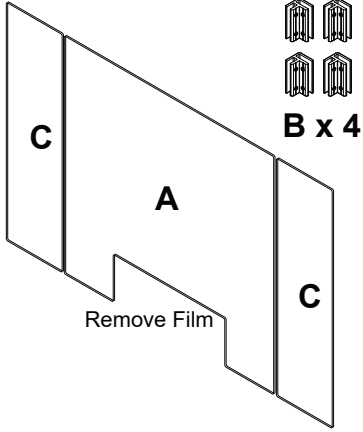
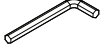
MyBinding.com
When Image Matters.

Call Us at 1-800-944-4573

DIVCU Assembly Guide

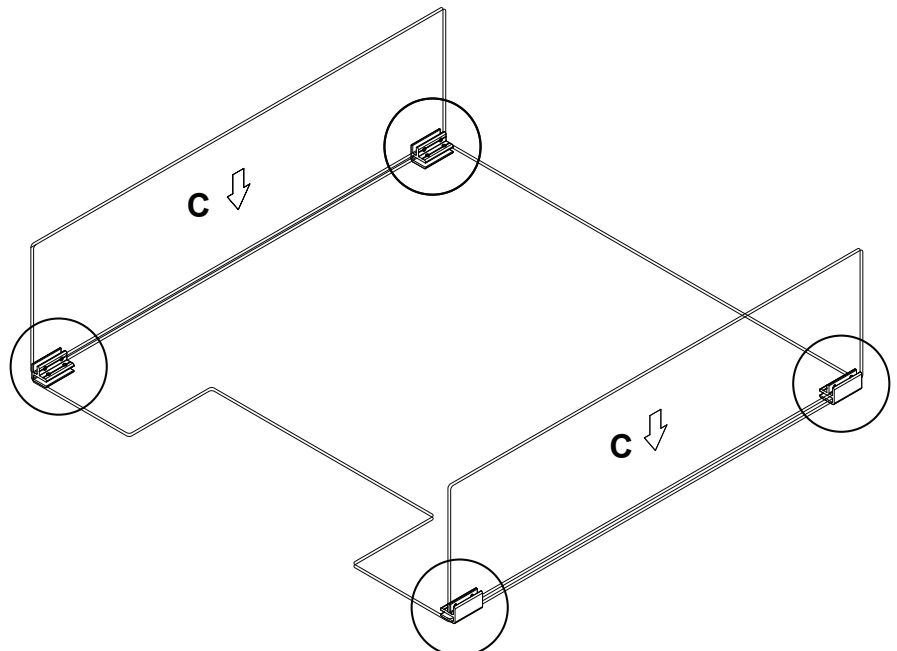
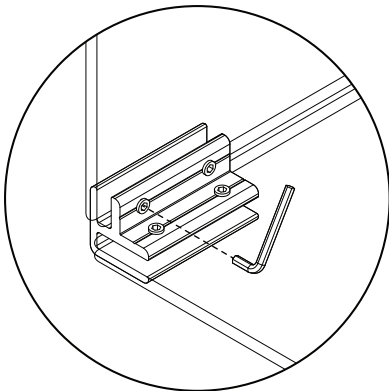
Part List

Tools Needed:
Allen Wrench
(Included)



1

Install the long channel of clamps B near the top and bottom of panel A. Tighten the set screws with the Allen wrench.



2

Install panels C into clamps A. Tighten the set screws with the Allen wrench.