

***Luxor RECLAIM Frosted Acrylic  
60" x 30" Tabletop Sneeze  
Guard Desk Divider***

**Instruction Manual**



*Provided by*

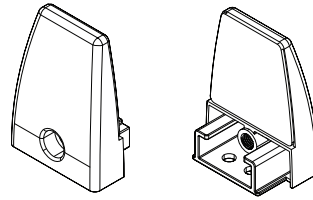
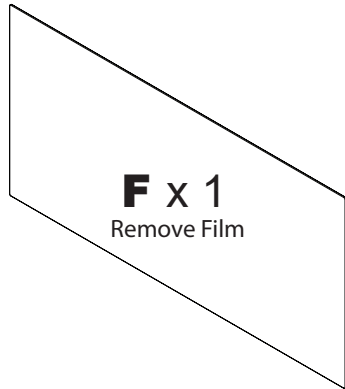
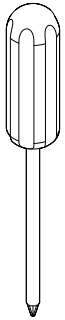
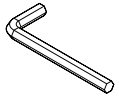
**MyBinding.com**  
*When Image Matters.*

Call Us at 1-800-944-4573

# DIVTT 3 Clamp Table Top Divider Panel Assembly Guide

## Part List

**Tools Needed:**  
Allen Wrench  
(Included)  
Screw Driver  
(not Included)

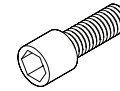


**D x 3**

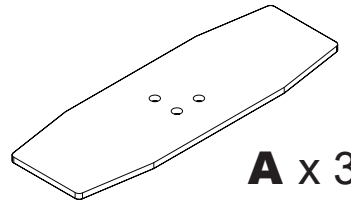
**B x 3**



**C x 6**  
M4 x 5mm

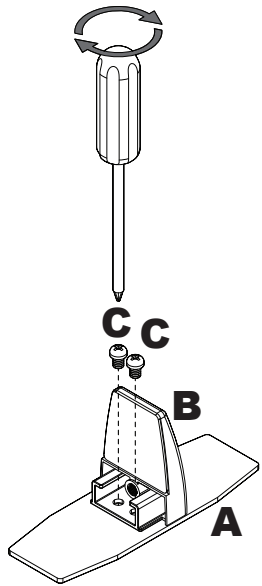


**E x 3**  
M6 x 16mm



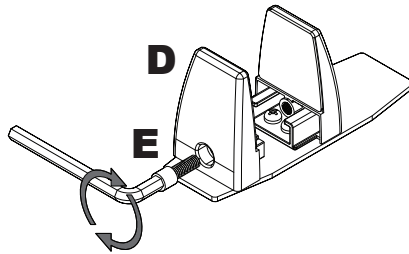
**A x 3**

Call Us at  
**1-800-944-4573**  
for Orders or Inquiries



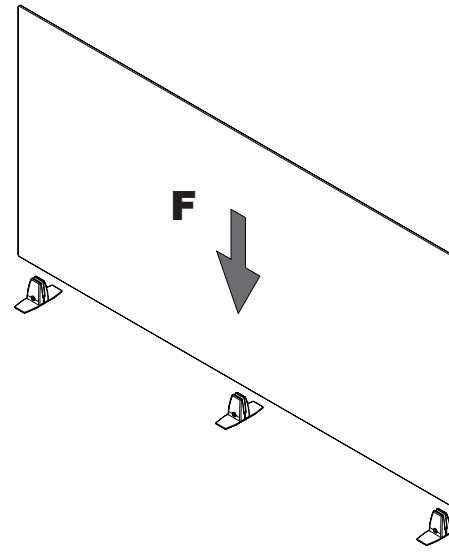
**1**

Attach B to A with Screws C



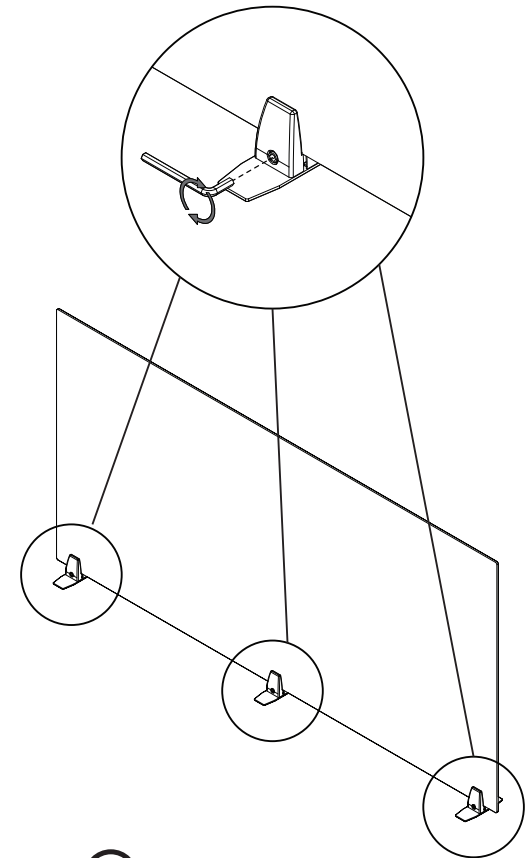
**2**

Attach D with Screw E



**3**

Install F into Assembled Clamps



**4**

Tighten Clamps