

***Luxor EC111HD-B 32" x 18"***  
***High-Capacity Black 3-Tub***  
***Shelf Utility Cart***

Instruction Manual



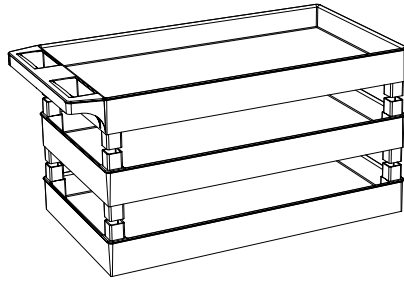
Provided by

**MyBinding.com**  
When Image Matters.

Call Us at 1-800-944-4573

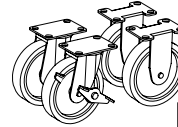
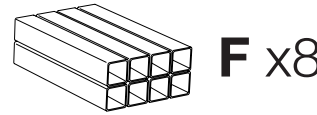
# LUXOR

**EC111HD**  
**3 Shelf 18 x 32**  
**Tub Cart Instructions**  
 w/ Heavy Duty Casters



## Parts List

- A** x1
- C** x1
- B** x1
- D** x2
- E** x2
- F** x8



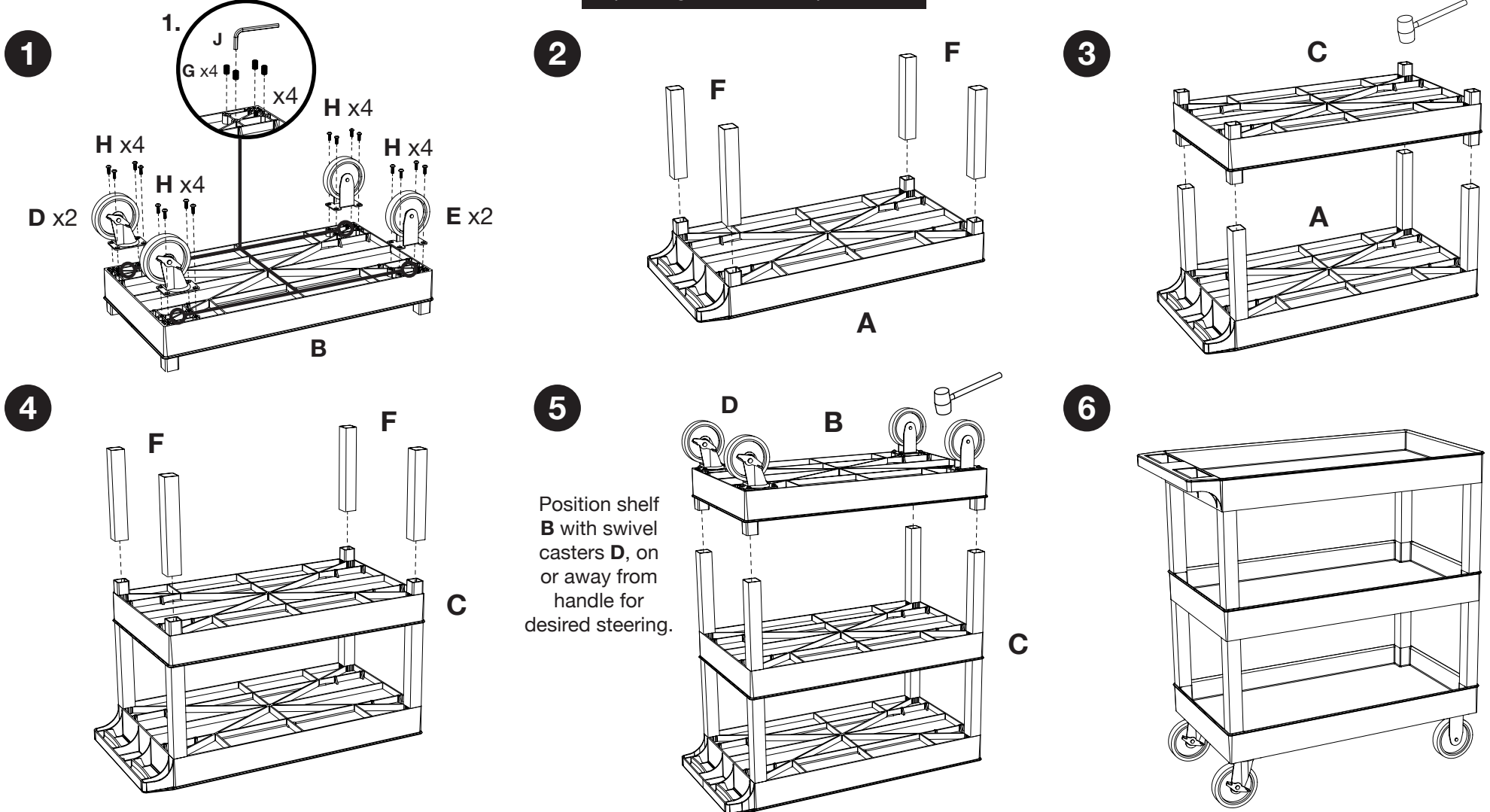
## Tools Required

01/09/18

- Rubber Mallet
- Phillips Screwdriver



Shelves may be flat or tub depending on the model purchased.



Position shelf **B** with swivel casters **D**, on or away from handle for desired steering.