

Luxor EC111HD-G 32" x 18"
High-Capacity Gray 3-Tub
Shelf Utility Cart

Instruction Manual



Provided by

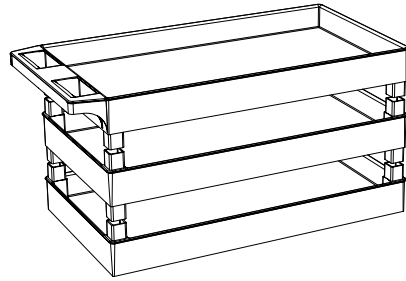
MyBinding.com
When Image Matters.

Call Us at 1-800-944-4573

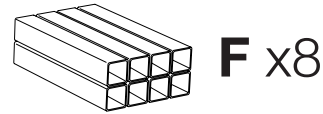
LUXOR

EC111HD
3 Shelf 18 x 32
Tub Cart Instructions
 w/ Heavy Duty Casters

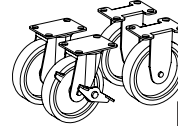
Parts List



A x1
C x1
B x1



F x8
D x2
E x2



Tools Required

01/09/18

- Rubber Mallet
- Phillips Screwdriver



G x16

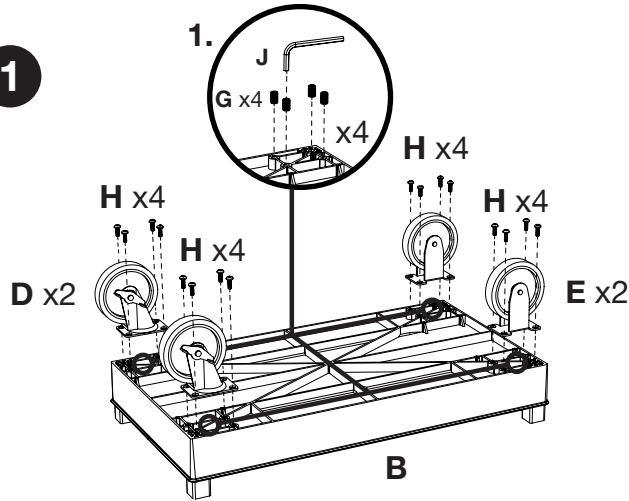
Threaded insert

H x16

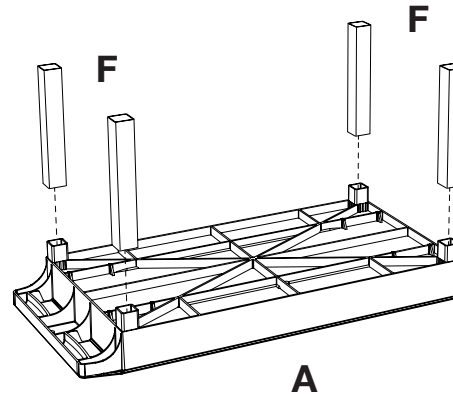
Threaded screw

Shelves may be flat or tub depending on the model purchased.

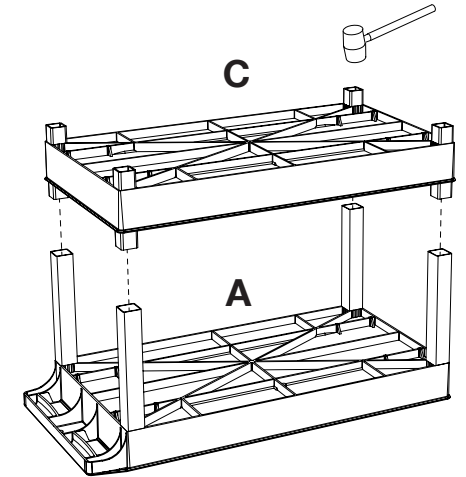
1



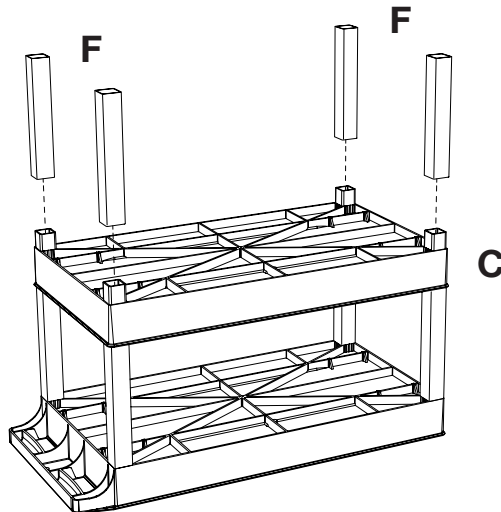
2



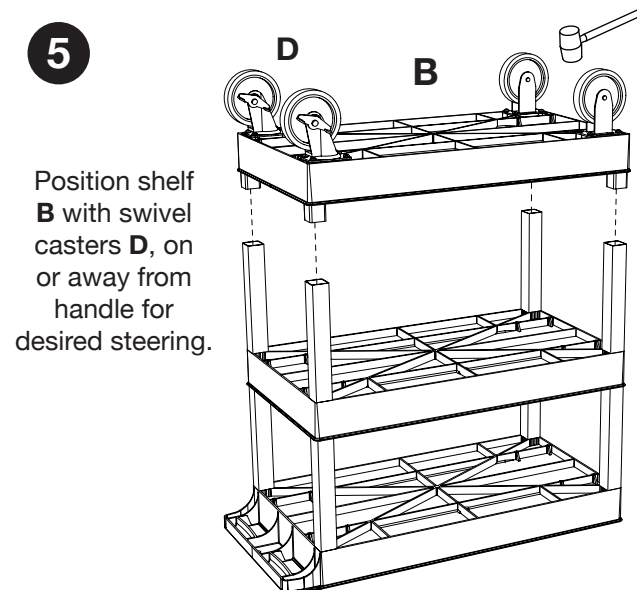
3



4



5



6

