

Luxor EC111SP5-B 32" x 18"
Black 3-Tub Shelf Utility Cart
w/ Semi-Pneumatic Casters

Instruction Manual



Provided by

MyBinding.com
When Image Matters.

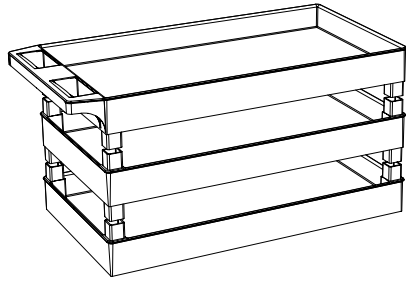
Call Us at 1-800-944-4573

Parts List

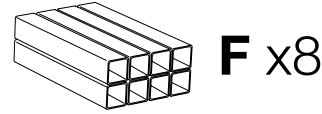
Tools Required

- Rubber Mallet
- Phillips Screwdriver

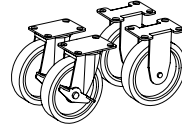
3 Shelf 18 x 32 Tub Cart Instructions w/ Semi Pneumatic Casters



A x1
C x1
B x1



F x8
D x2



E x2



G x1

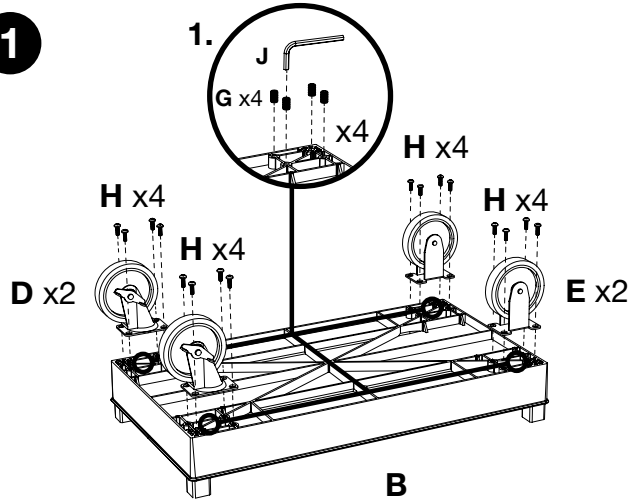


J x1

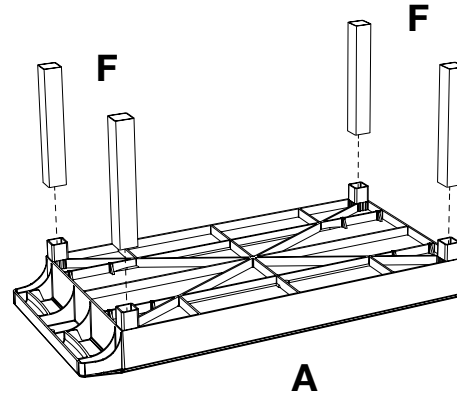


H x1

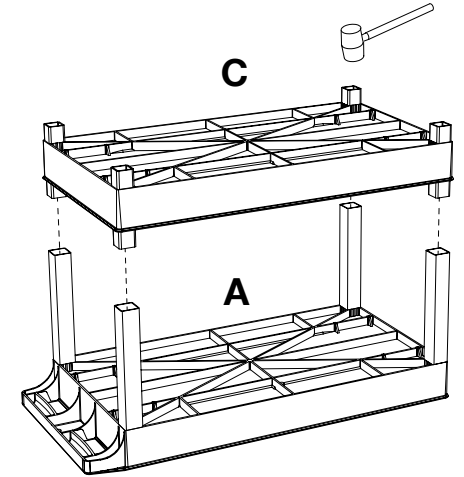
1



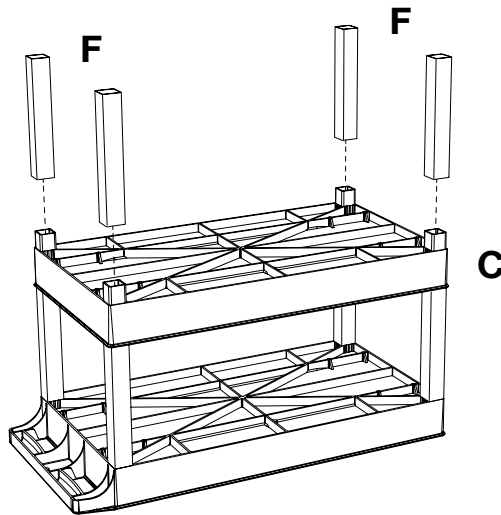
2



3

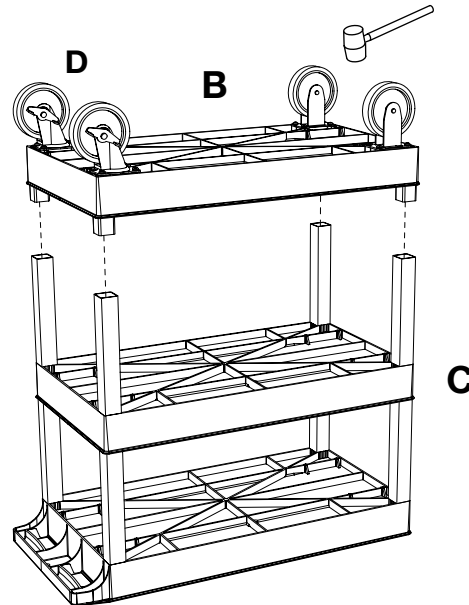


4



5

Position shelf **B** with swivel casters **D**, on or away from handle for desired steering.



6

