

***Luxor EC21-B 32" x 18"***  
***Black 1-Flat/1-Tub***  
***Shelf Utility Cart***

Instruction Manual



*Provided by*

**MyBinding.com**  
*When Image Matters.*

Call Us at 1-800-944-4573

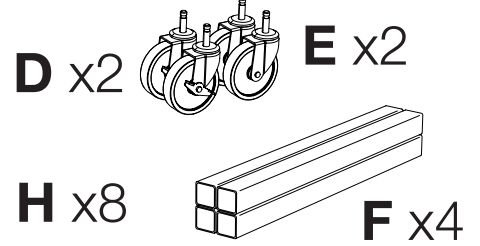
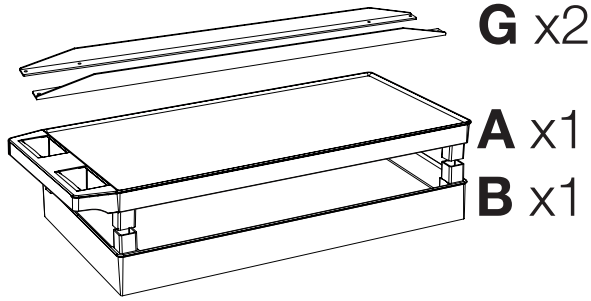
www.luxorfurn.com  
www.hwilson.com

## Parts List

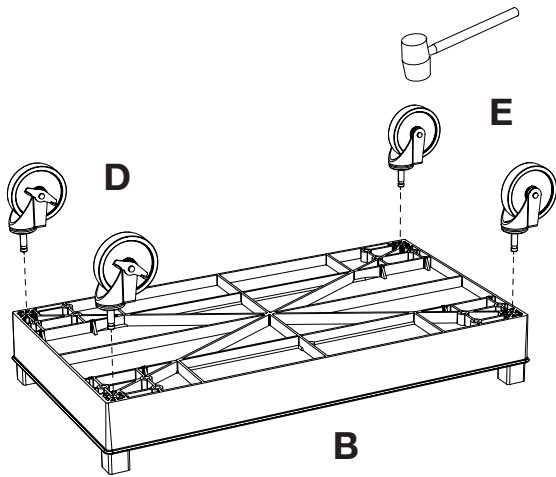
## Tools Required

- Rubber Mallet
- Phillips Screwdriver

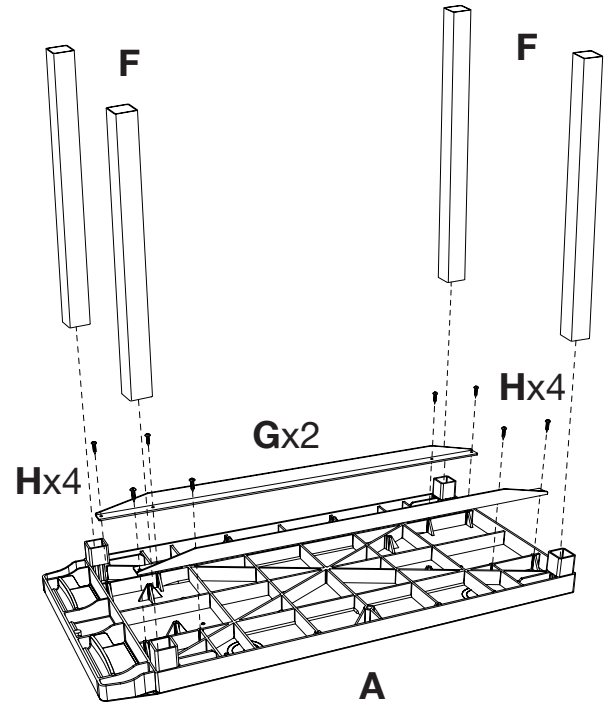
## 2 Shelf 18 x 32 Tub Cart Instructions w/ Cross Bar Supports



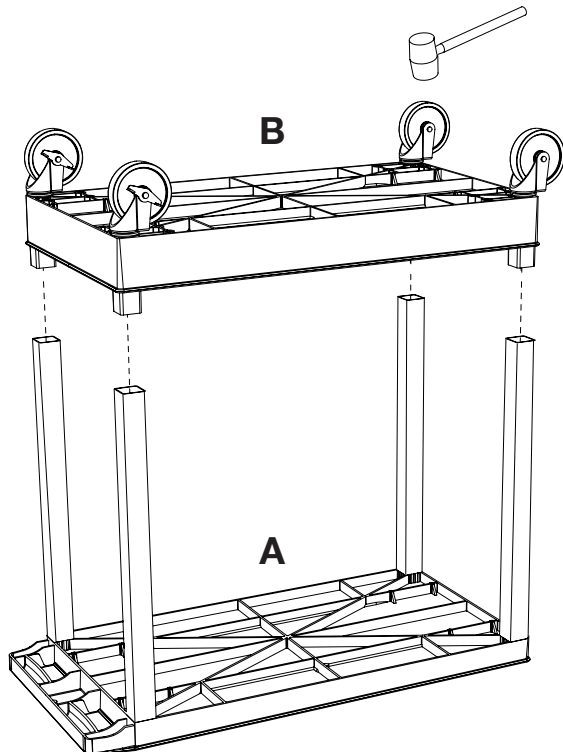
1



2



3



4

