

***Luxor EC221HD-B 32" x 18"***  
***High Capacity Black 2-Flat/1-Tub***  
***Bottom Shelf Utility Cart***

Instruction Manual

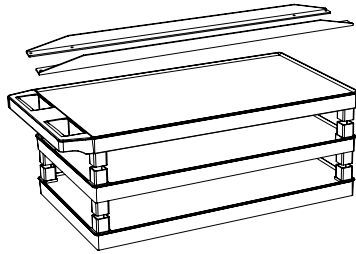


Provided by

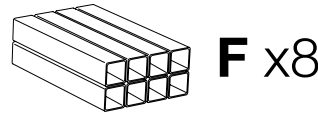
**MyBinding.com**  
When Image Matters.

Call Us at 1-800-944-4573

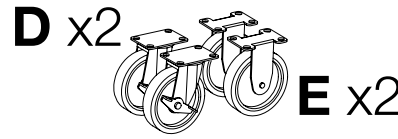
## Parts List



**G** x2  
**A** x1  
**C** x1  
**B** x1



**F** x8



**E** x2

## Tools Required

- Rubber Mallet
- Phillips Screwdriver



**J** x1

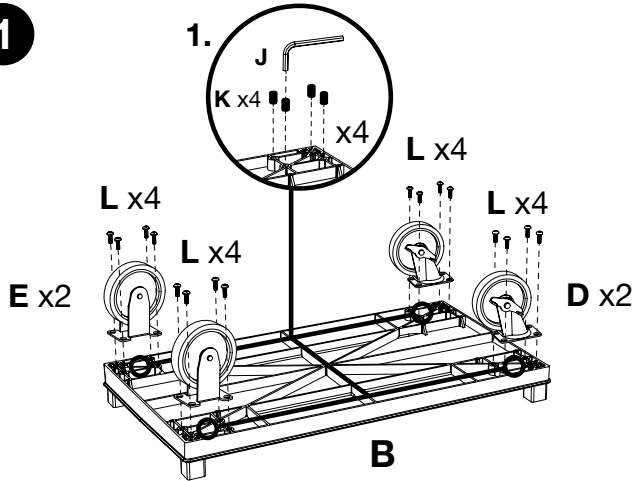


**K** x16

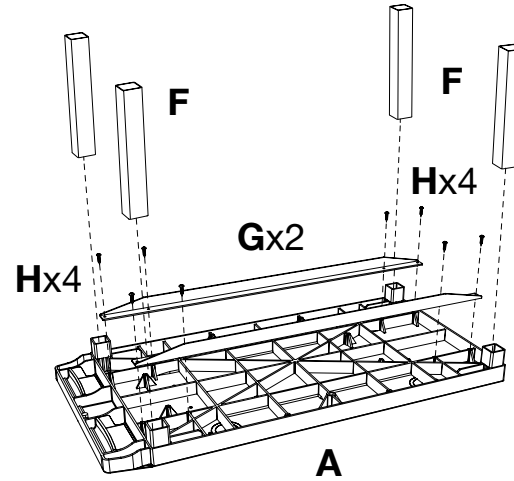
**L** x16

**H** x8

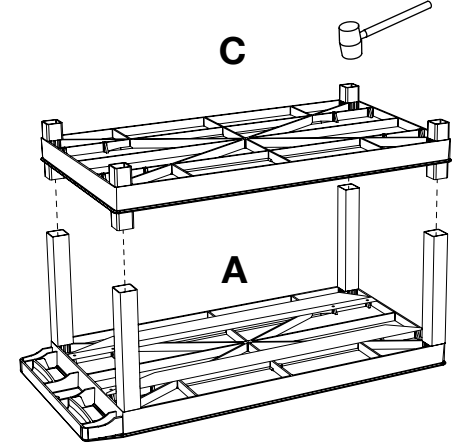
**1**



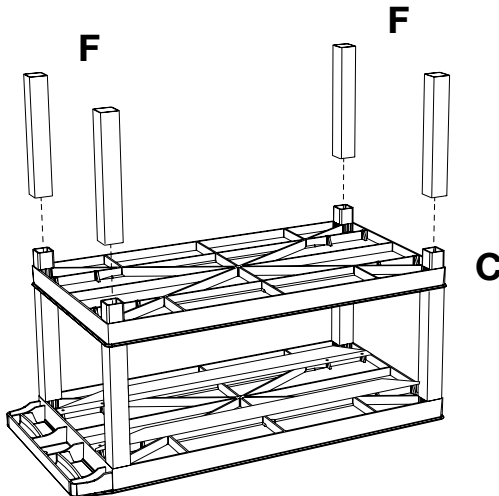
**2**



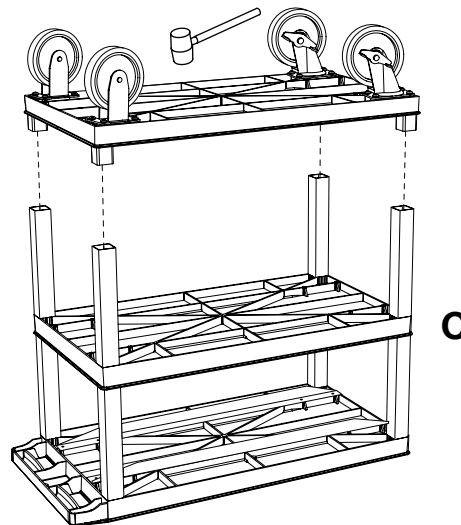
**3**



**4**



**5**



**6**

