

Luxor Adjustable Height Flat Panel Stand with Shelf - FP2500

Spec Sheet



Provided by

MyBinding.com

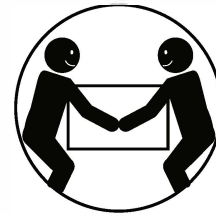
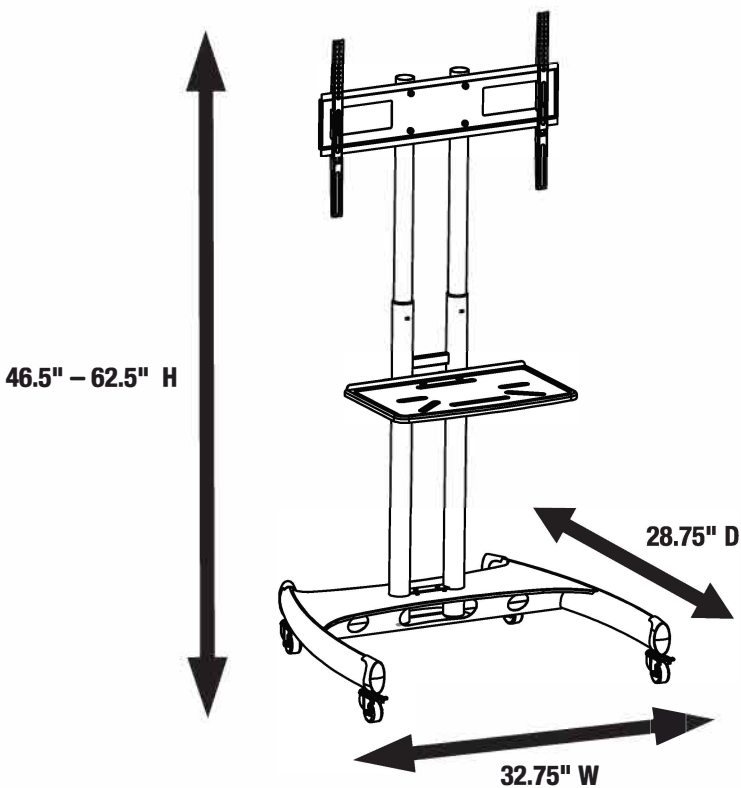
When Image Matters.

Call Us at 1-800-944-4573

FP2500 - HEIGHT ADJUSTABLE TV STAND MOUNT WITH SHELF

Product Specifications:

Item Number	FP2500
Frame Material	Steel
Dimensions	32.75" W x 28.75" D x 46.5" – 62.5" H
Shelf Dimensions	19.625" W x 12.5" D
Shelf Capacity	25 lbs.
TV Size	40" – 60"
VESA	200 x 200 mm – 600 x 400 mm
Weight	64.82 lbs.
Height Adjustment Increments	2"
Height Adjustment Mechanism	Push Buttons
Cable Management	Internal
Casters (4)	2" nylon casters; all with locking brakes
Mount Weight Capacity	100 lbs.
Shipping Method	Freight
Shipping Dimensions	39" W x 37 " D x 5" H
Shipping Weight	65 lbs.
Assembly Required	Yes



**Heavy Lifting:
Assistance
Required**

To Order, Call Your
Sales Representative
or 800-323-4656