

***Luxor 24" x 36"***  
***Reversible Mobile Steel***  
***Magnetic Whiteboard***

Instruction Manual



*Provided by*

**MyBinding.com**  
*When Image Matters.*

Call Us at 1-800-944-4573

# Mobile Board Instructions

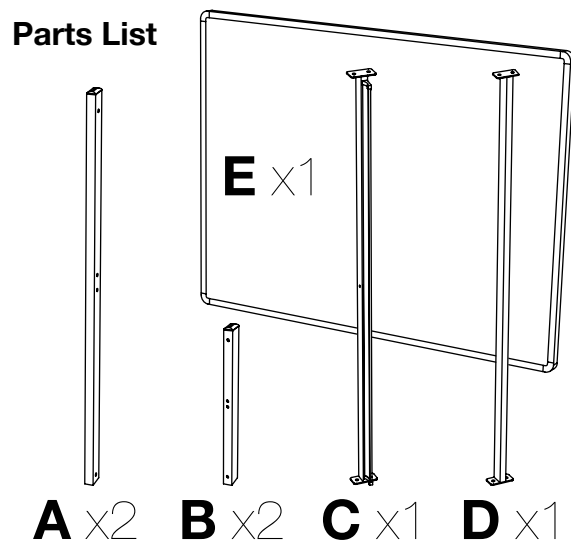
03/01/13

**Note:** After assembly, remove the protective film from both sides of the board.

**Cleaning Tip:** A mild dish washing liquid can be used with a soft cloth to clean the writing surface.

**Call Us at**  
**1-800-944-4573**  
 for Orders or Inquiries

## Parts List



## Tools Required

- Additional Wrench

