

***Luxor LE27C-B 27" High
Black 2-Shelf Endura A/V
Utility Cart with Cabinet***

Sell Sheet



Provided by

MyBinding.com

When Image Matters.

Call Us at 1-800-944-4573

Heavy Duty A/V Cart

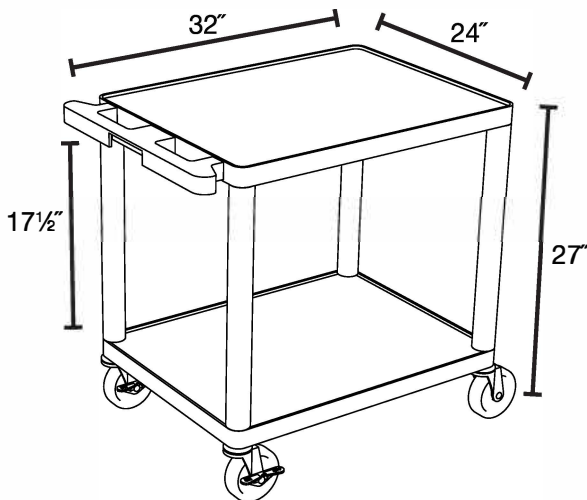


LE27-B
32"W x 24"D x 27"H

**MADE IN
USA**



LE27C2-B
32"W x 24"D x 27"H



- Multipurpose utility cart perfect for use with audio/video equipment and more
- Measures 32"W x 24"D x 27"H
- .25" retaining lip borders flat shelves to ensure minimal sliding
- Includes locking cabinet made from 20-gauge steel with powder coat paint finish, full piano door hinges with a set of two keys
- Cabinet inner dimensions measure 23 1/4"W x 16 3/4"D x 18"H
- Ergonomic push handle molded into the top shelf for optimum comfort
- Four 4" Heavy-Duty non-marring casters, two with locking brake, for mobility and stability
- Molded plastic shelves and legs won't stain, scratch, dent or rust
- Three-outlet surge suppressing 15" cord, grip strips, wire clips and grommet hole
- Maximum weight capacity of 400lbs (evenly distributed)

Call Us at
1-800-944-4573
for Orders or Inquiries