

Luxor LE40-B 40.25"
High Black 3-Shelf
Endura A/V Utility Cart

Instruction Manual



Provided by

MyBinding.com

When Image Matters.

Call Us at 1-800-944-4573

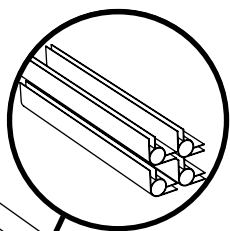
Parts List

Tools Required

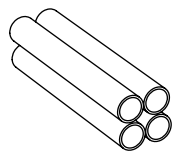
- Rubber Mallet

NOTICE:

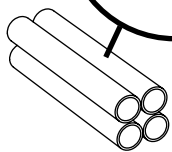
Leg lengths of leg **E** may be shorter than leg **F**



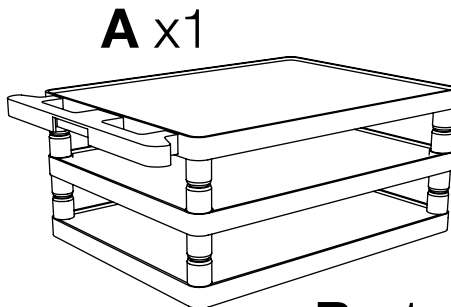
Optional fluted legs for units with cabinet pack



E x4



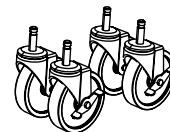
F x4



A x1

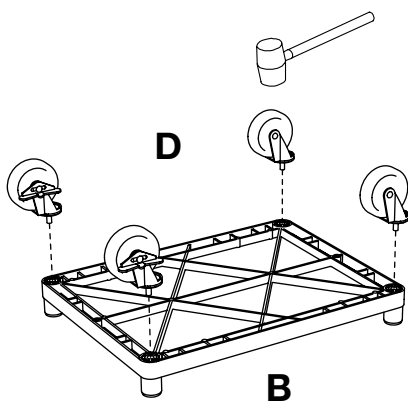
B x1

C x1



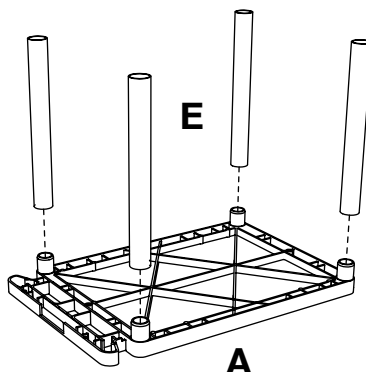
D x4

1

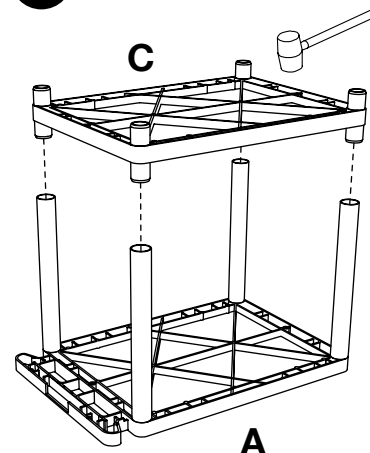


2

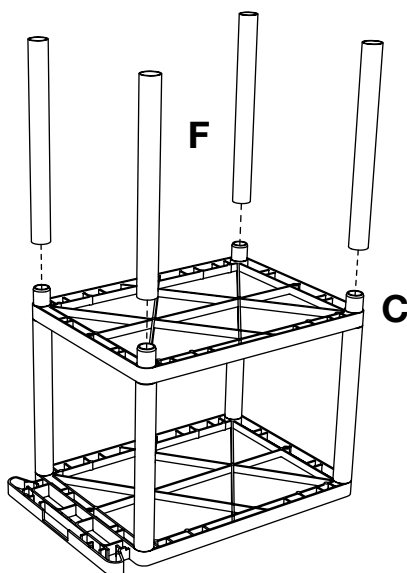
Install optional cabinet pack / pullout shelf / electrical assembly after step 1



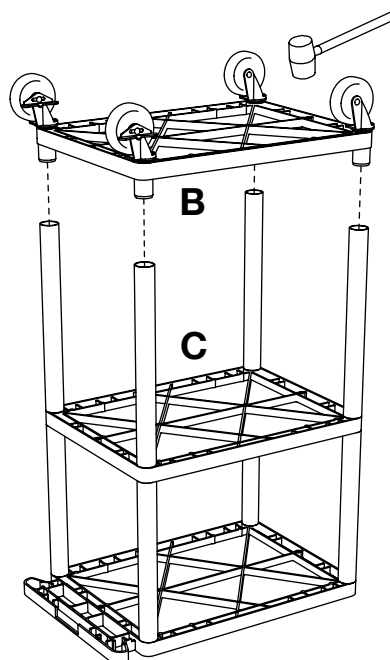
3



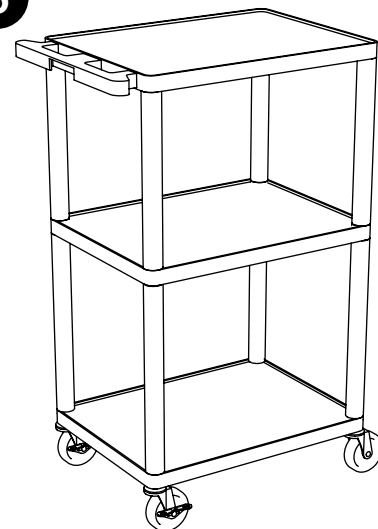
4



5

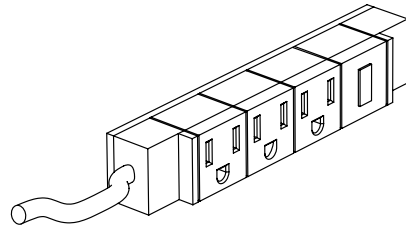


6

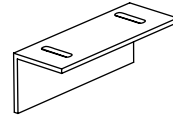


LP + LE Electrical Assembly Instructions

Parts List



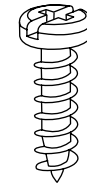
F x1



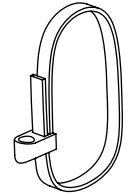
G x1

Tools Required

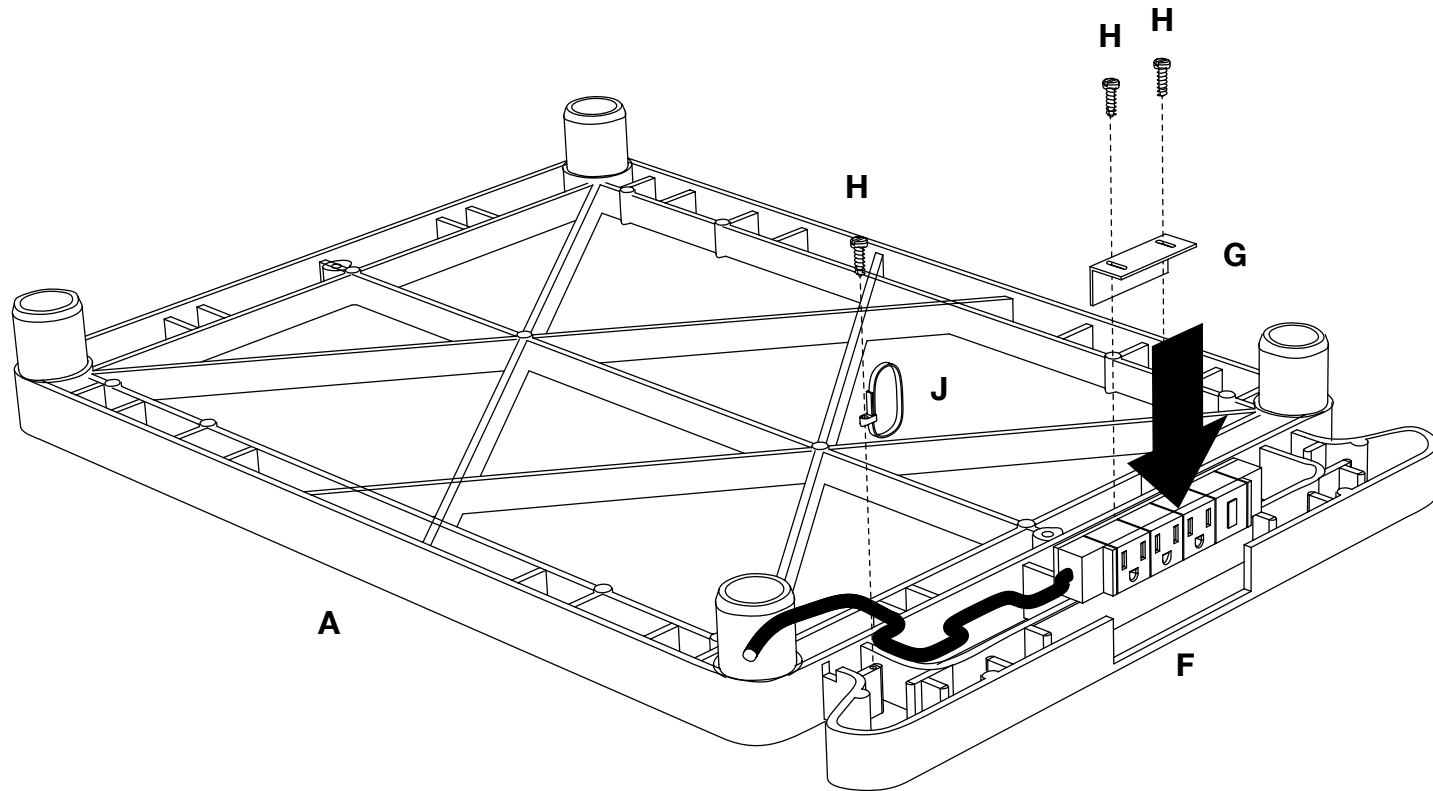
- Philips Screwdriver



H x3



J x1



1

Attach electric outlet **F** to top shelf **A**, secure with L bracket **G** and cable lock **J**. Loop outlet cable **F** through cable lock **J** and the inserts on shelf **A**. Screw L bracket **G** and cable lock **J** onto top shelf **A** with screw **H** and a philips screwdriver.

Call Us at
1-800-944-4573
for Orders or Inquiries