

***Luxor LE54-B 54.25"***  
***High Black 3-Shelf***  
***Endura A/V Utility Cart***

Instruction Manual



*Provided by*

**MyBinding.com**

*When Image Matters.*

Call Us at 1-800-944-4573

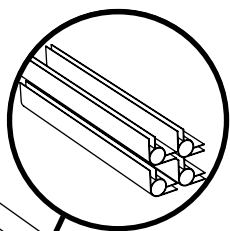
### Parts List

### Tools Required

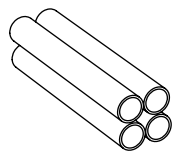
- Rubber Mallet

#### NOTICE:

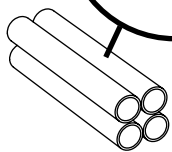
Leg lengths of leg **E** may be shorter than leg **F**



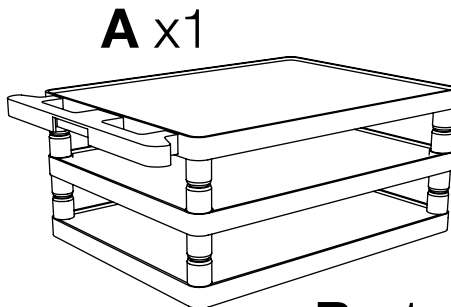
Optional fluted legs for units with cabinet pack



**E** x4



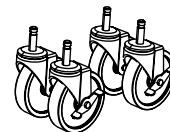
**F** x4



**A** x1

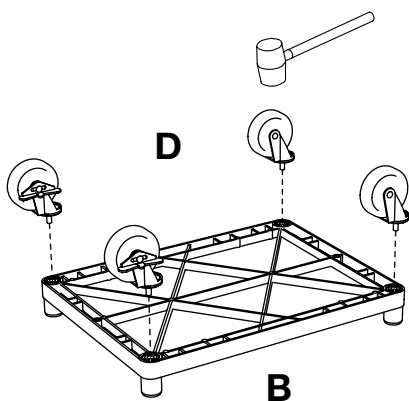
**B** x1

**C** x1



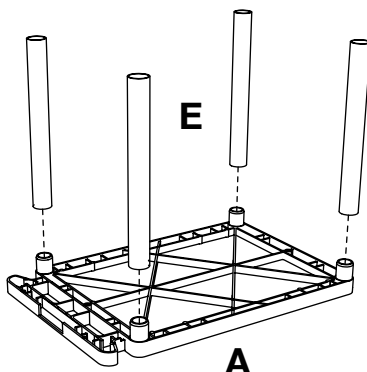
**D** x4

**1**

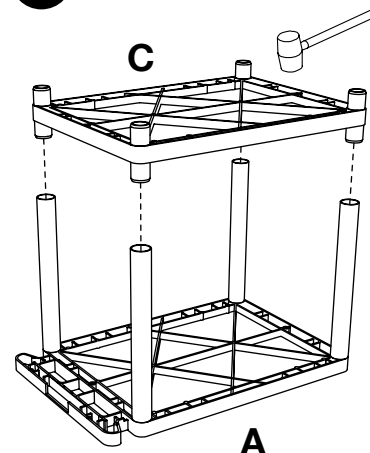


**2**

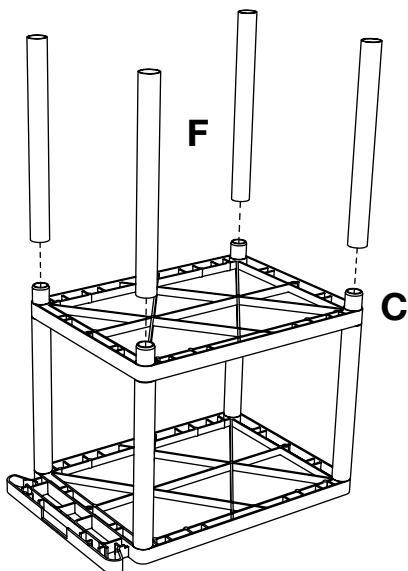
Install optional cabinet pack / pullout shelf / electrical assembly after step 1



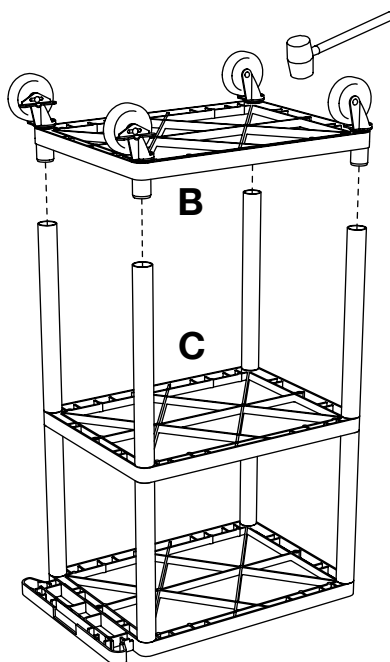
**3**



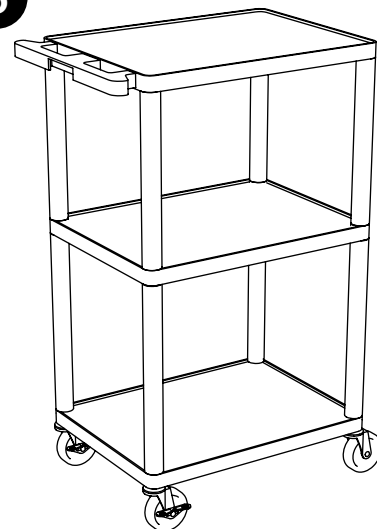
**4**



**5**

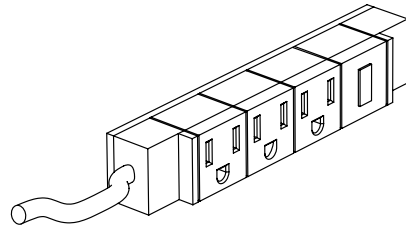


**6**

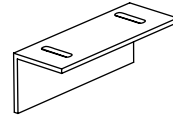


## LP + LE Electrical Assembly Instructions

### Parts List



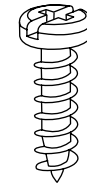
**F** x1



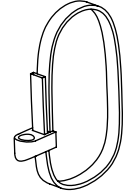
**G** x1

### Tools Required

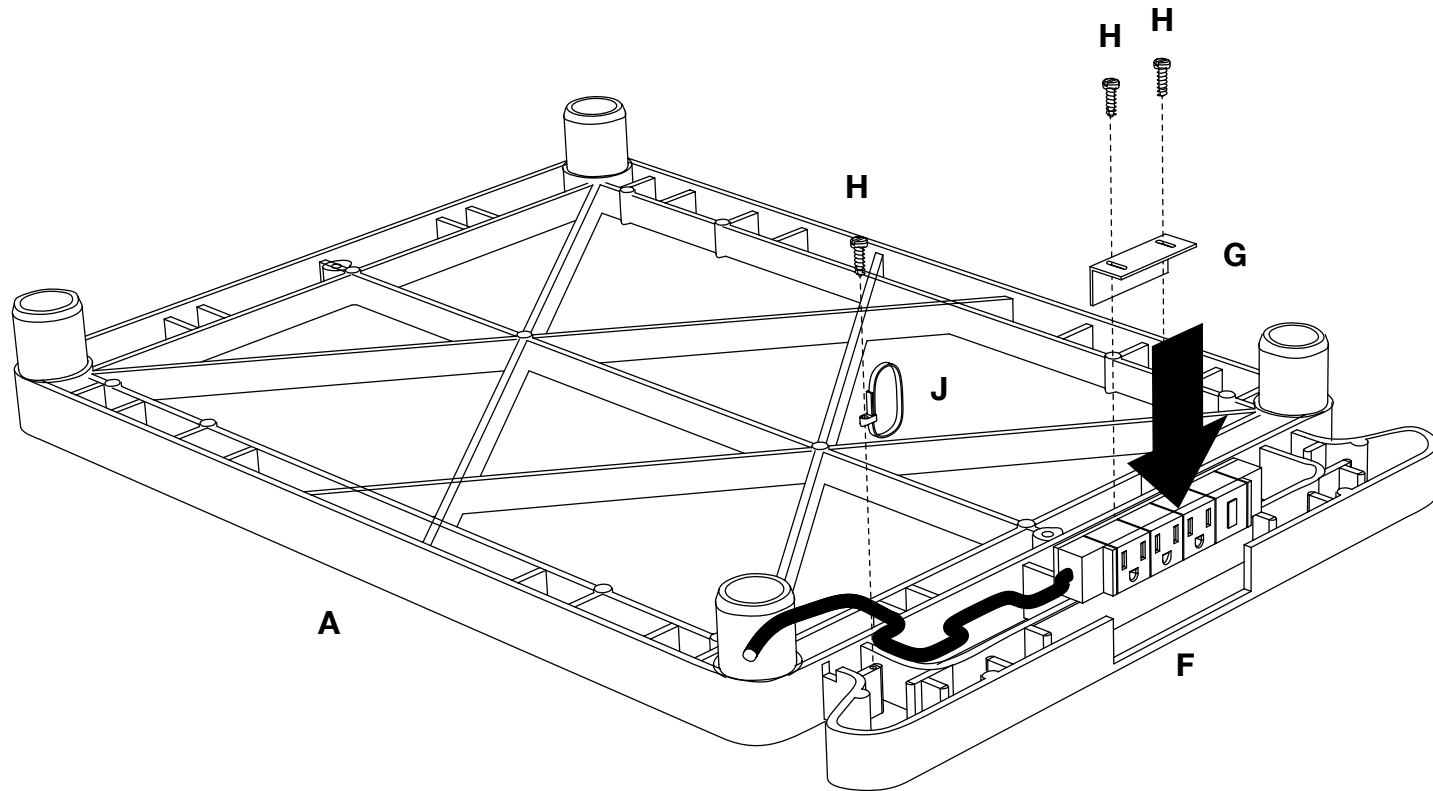
- Philips Screwdriver



**H** x3



**J** x1



**1**

Attach electric outlet **F** to top shelf **A**, secure with L bracket **G** and cable lock **J**. Loop outlet cable **F** through cable lock **J** and the inserts on shelf **A**. Screw L bracket **G** and cable lock **J** onto top shelf **A** with screw **H** and a philips screwdriver.

Call Us at  
**1-800-944-4573**  
for Orders or Inquiries