

***Luxor Endura 34" High Black
3-Shelf A/V Utility Cart with
Cabinet and Front Pullout Shelf***

Instruction Manual



Provided by

MyBinding.com

When Image Matters.

Call Us at 1-800-944-4573

Parts List

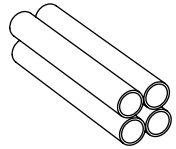
Tools Required

- Rubber Mallet

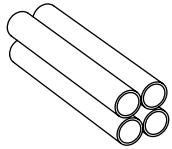
NOTICE:

Leg lengths of leg **E** may be shorter than leg **F**

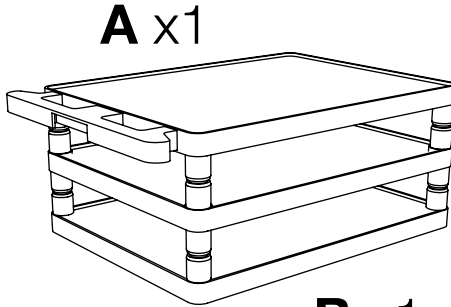
Call Us at
1-800-944-4573
for Orders or Inquiries



E x4



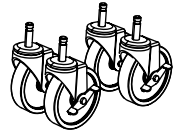
F x4



A x1

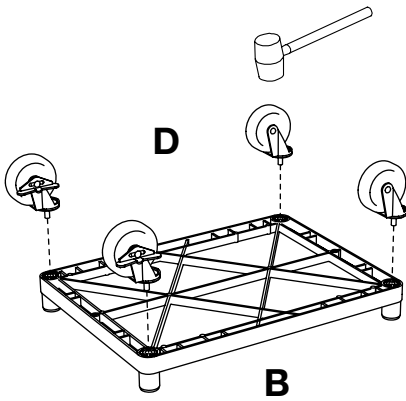
B x1

C x1



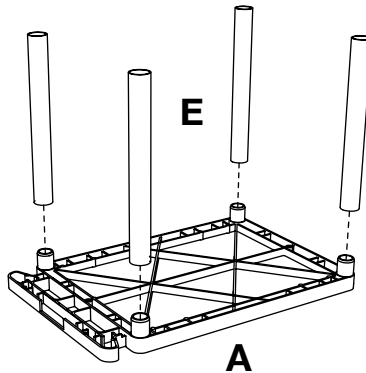
D x4

1

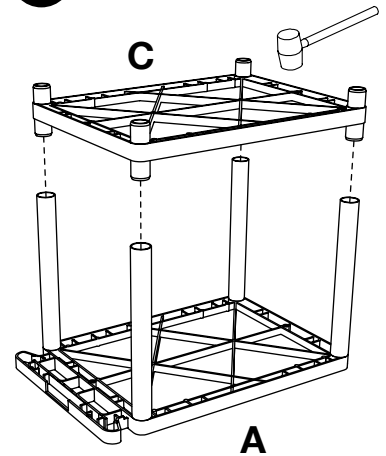


2

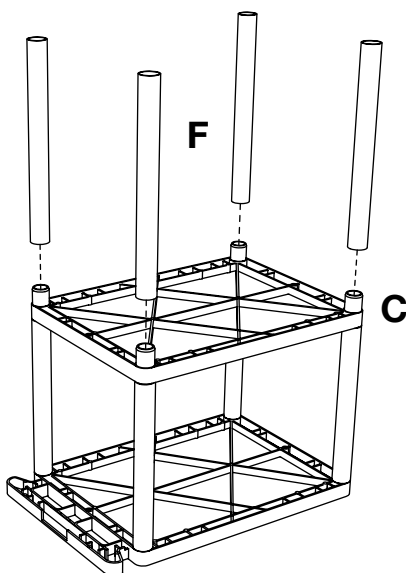
Install optional cabinet pack / pullout shelf / electrical assembly after step 1



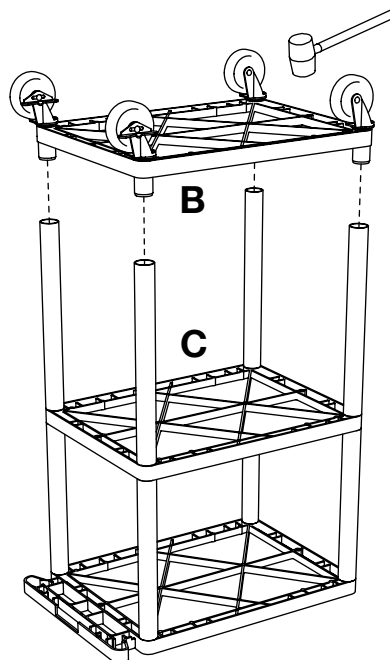
3



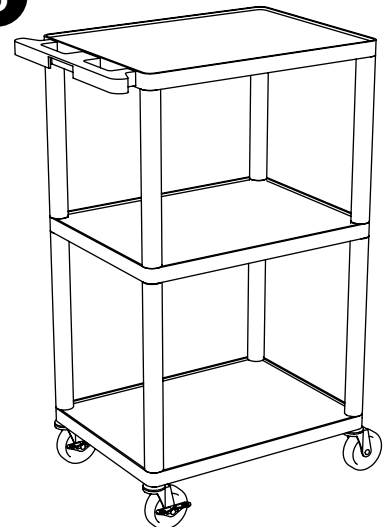
4



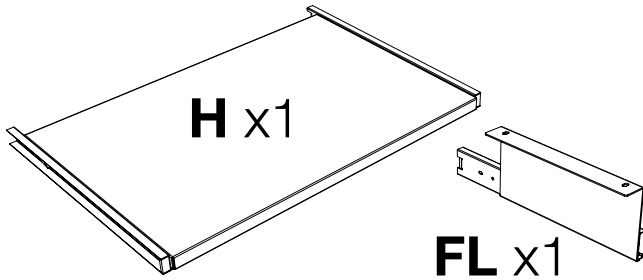
5



6



Parts List



Tools Required

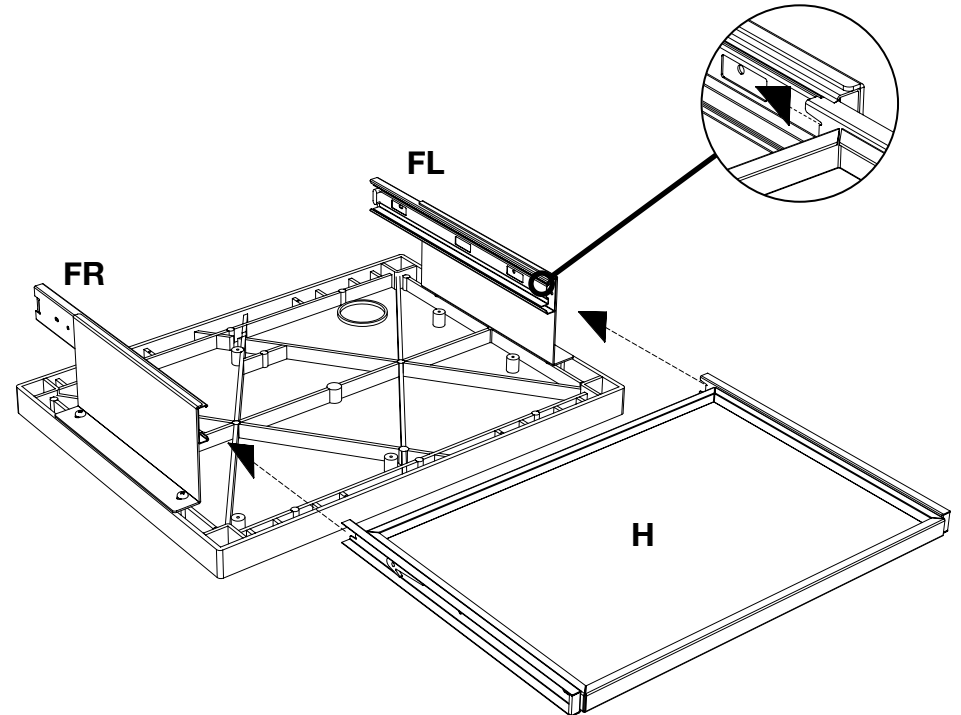
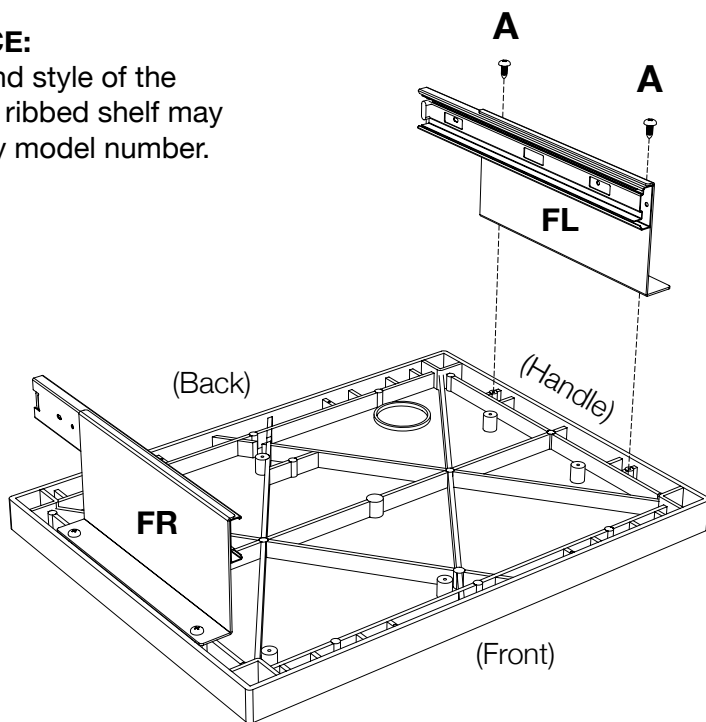
- Phillips Screwdriver



Call Us at
1-800-944-4573
for Orders or Inquiries

NOTICE:

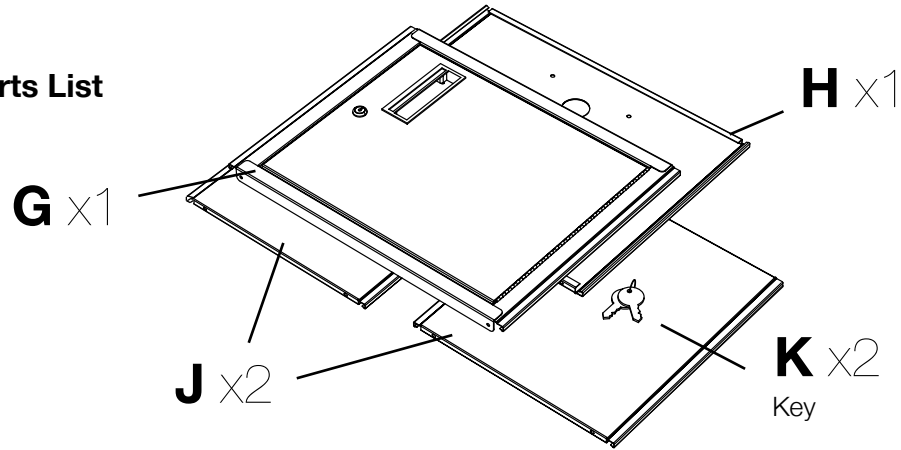
Size and style of the plastic ribbed shelf may vary by model number.



Take the top shelf of your plastic cart and lay it flat. Collect parts: **FL**, **FR** & **A**. Align **FR** & **FL** to the outer holes at the top of the shelf. Take screw **A** and fasten with a screwdriver, do not tighten fully until keyboard is attached.

Collect parts: **H**. Align the pullout shelf **H** runner so that the runner snaps into place into the **FL** & **FR** brackets. Pull the shelf out to make sure it is fully seated. Tighten screws **A**. Pullout keyboard shelf assembly is now complete.

Parts List



Tools Required

- Rubber Mallet

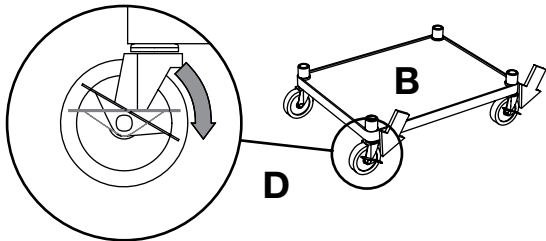
LP + LE Cart Cabinet Pack Instructions

Please consult your cart base unit instructions before starting

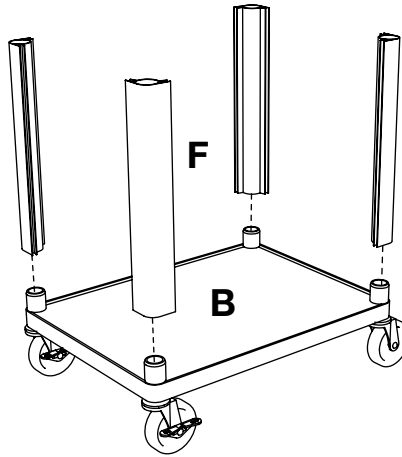
Call Us at
1-800-944-4573
for Orders or Inquiries

1

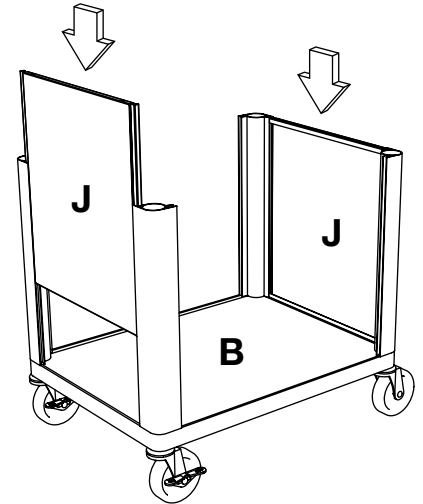
IMPORTANT: Flip shelf **B**, and lock the 2 locking casters **D** before assembling the unit.



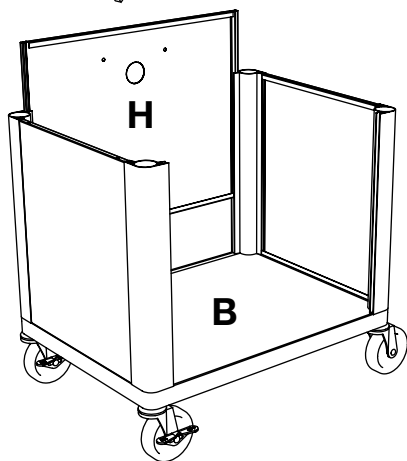
2



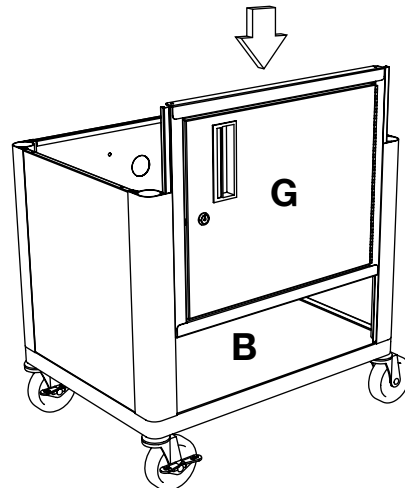
3



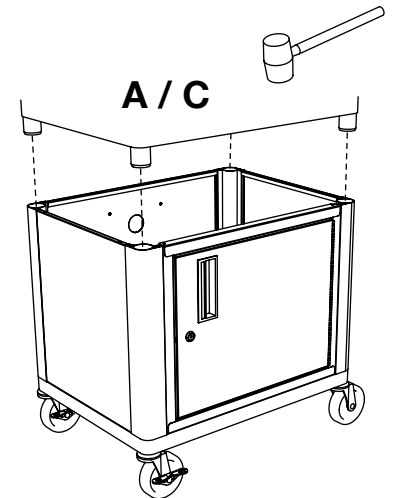
4



5

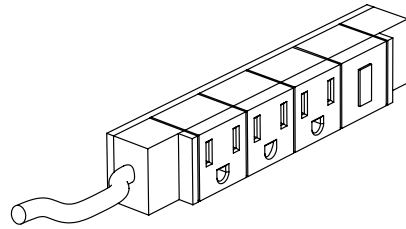


6

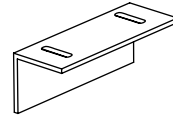


LP + LE Electrical Assembly Instructions

Parts List



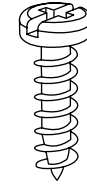
F x1



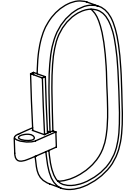
G x1

Tools Required

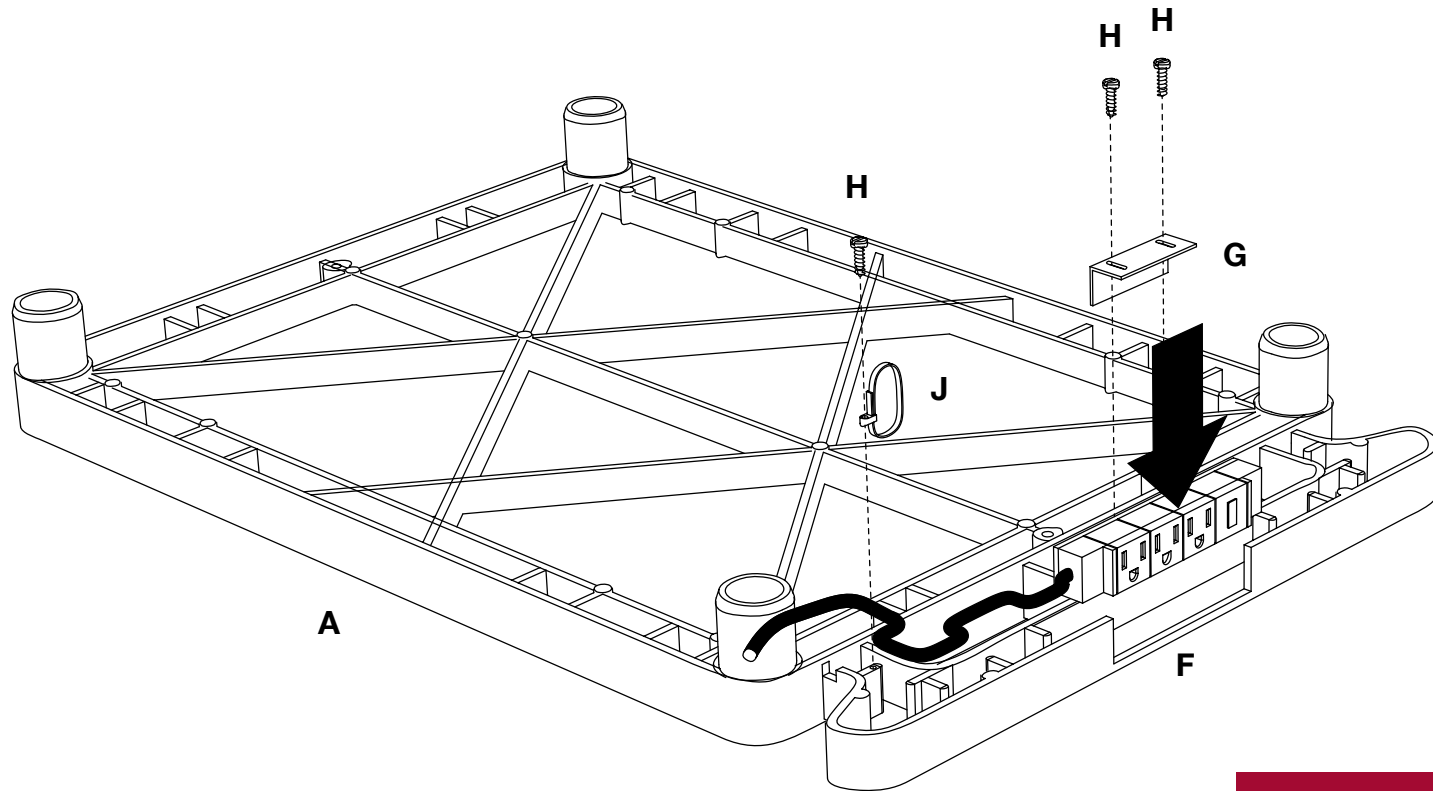
- Philips Screwdriver



H x3



J x1



1

Attach electric outlet **F** to top shelf **A**, secure with L bracket **G** and cable lock **J**. Loop outlet cable **F** through cable lock **J** and the inserts on shelf **A**. Screw L bracket **G** and cable lock **J** onto top shelf **A** with screw **H** and a philips screwdriver.

Call Us at
1-800-944-4573
for Orders or Inquiries