

Luxor Endura 40.25" High Black 3-Shelf A/V Utility Cart with Cabinet

Instruction Manual



Provided by

MyBinding.com
When Image Matters.

Call Us at 1-800-944-4573

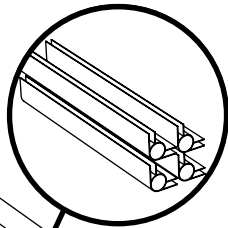
Parts List

Tools Required

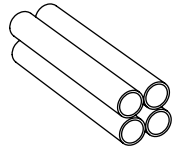
- Rubber Mallet

NOTICE:

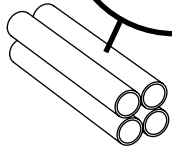
Leg lengths of leg **E** may be shorter than leg **F**



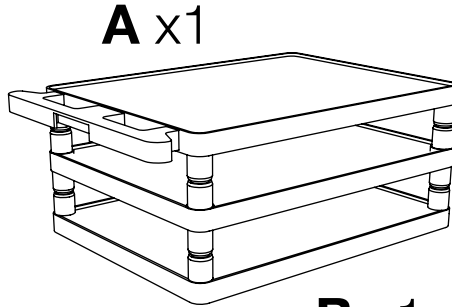
Optional fluted legs for units with cabinet pack



E x4



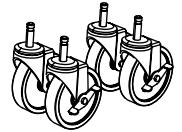
F x4



A x1

B x1

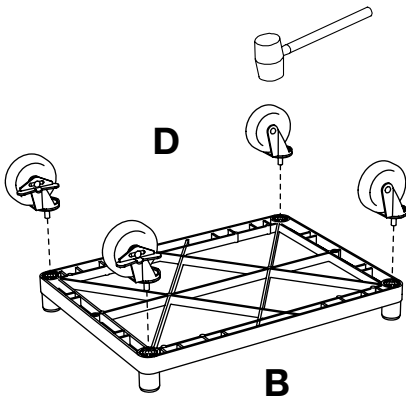
C x1



D x4

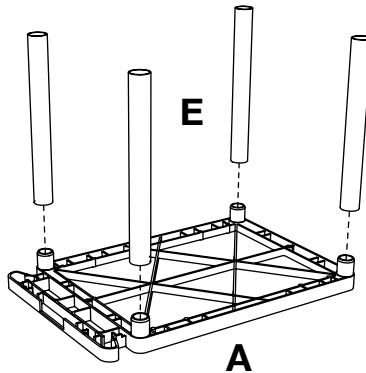
Call Us at
1-800-944-4573
for Orders or Inquiries

1

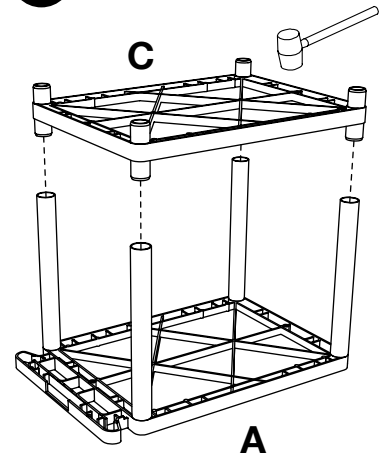


2

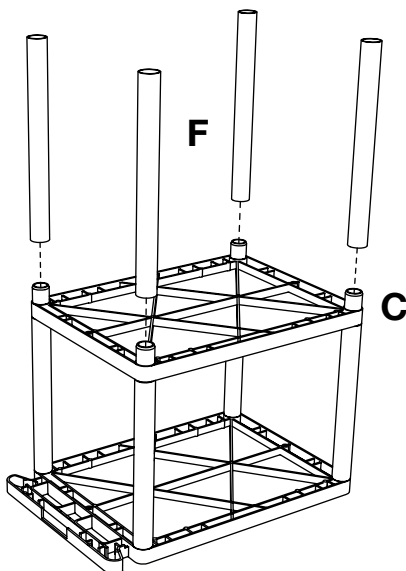
Install optional cabinet pack / pullout shelf / electrical assembly after step 1



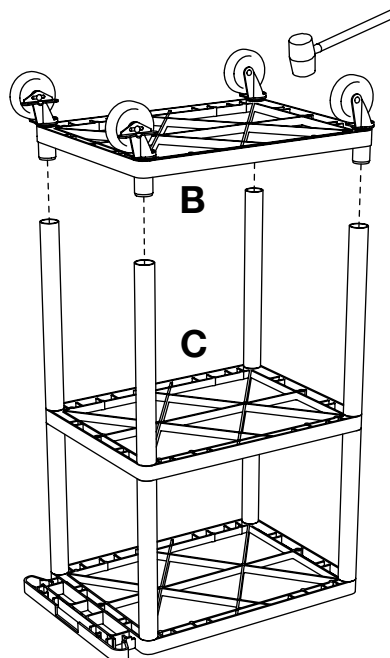
3



4



5



6

