

Luxor 30" x 40" Reversible Mobile Steel Magnetic Whiteboard

Instruction Manual



Provided by

MyBinding.com
When Image Matters.

Call Us at 1-800-944-4573

Mobile Board Instructions

06/19/17

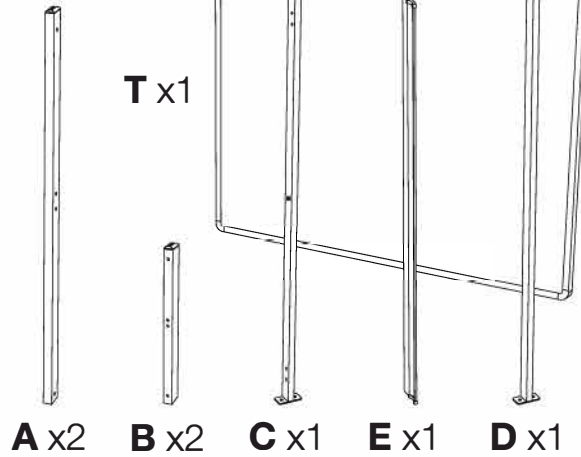
Note: After assembly, peel the protective film from both sides of the board.

Cleaning Tip: A mild dish washing liquid can be used with a soft cloth to clean the writing surface.

Call Us at
1-800-944-4573
 for Orders or Inquiries

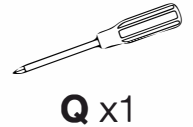
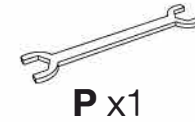


Parts List



Tools Required

- Additional Wrench



F x4

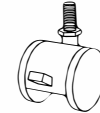
G x10

H x8

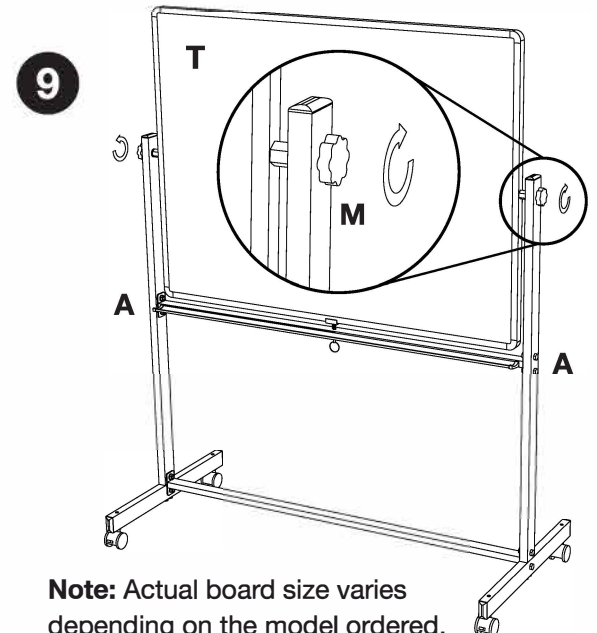
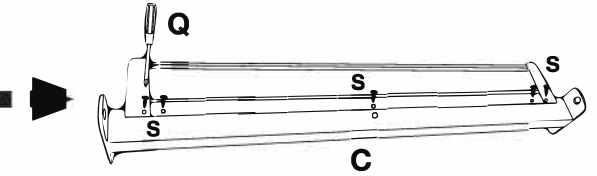
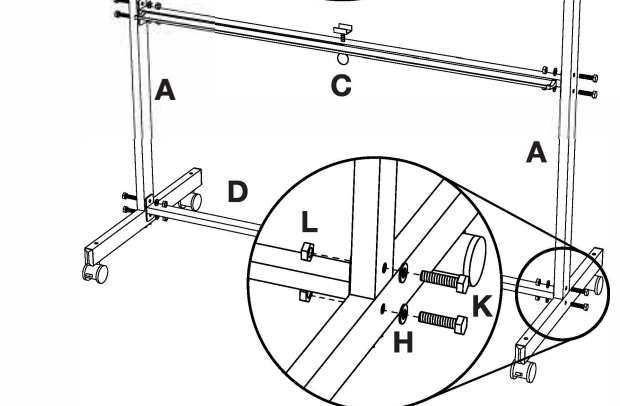
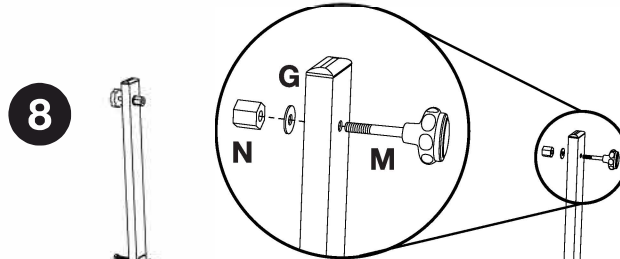
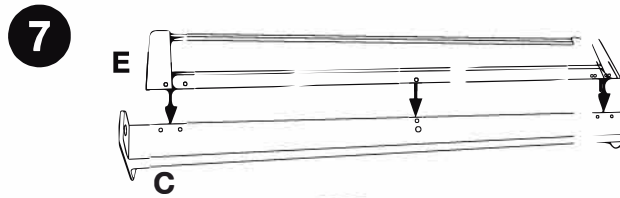
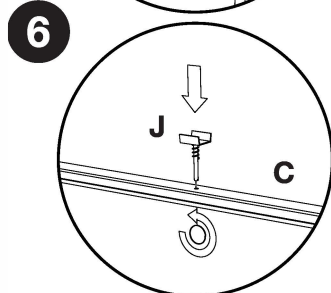
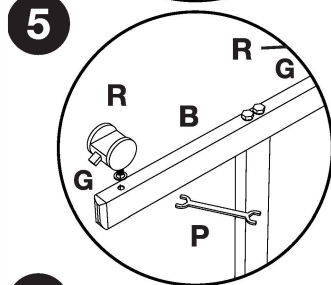
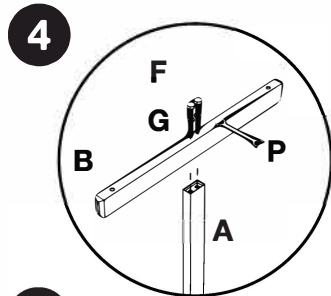
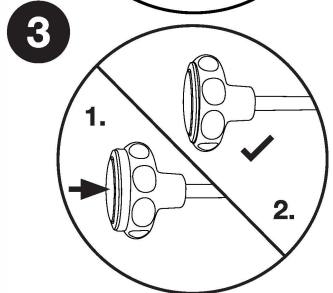
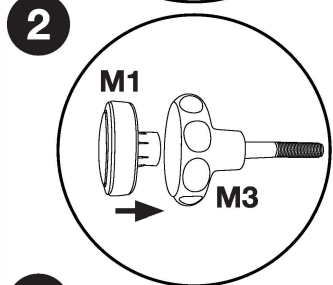
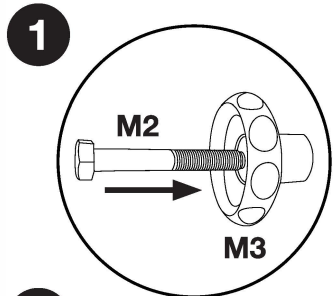
M1 x2

M2 x1

M3 x2



S x varies depending on size of board



Note: Actual board size varies depending on the model ordered.