

# ***Luxor 36" x 24" Reversible Magnetic Steel Mobile Whiteboard***

**Instruction Manual**



*Provided by*

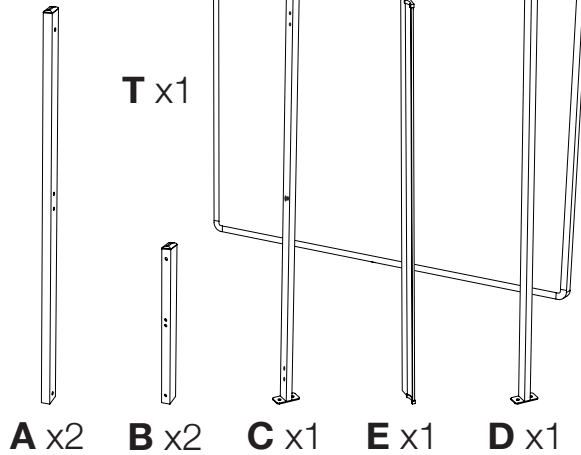
**MyBinding.com**  
*When Image Matters.*

Call Us at 1-800-944-4573



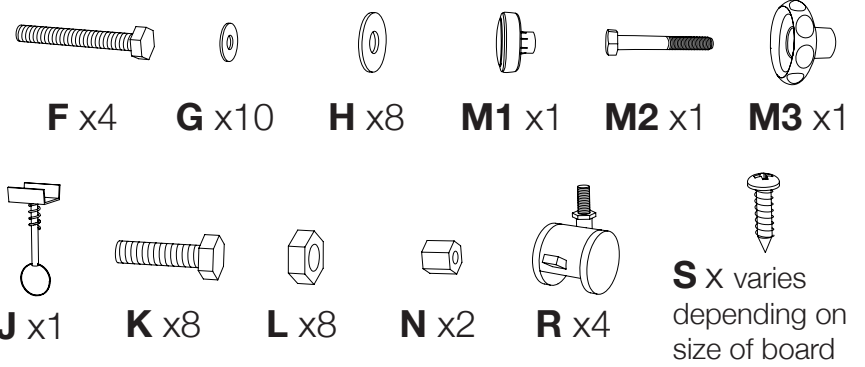
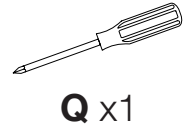
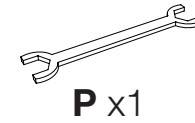
**Assistance Required**

## Parts List



## Tools Required

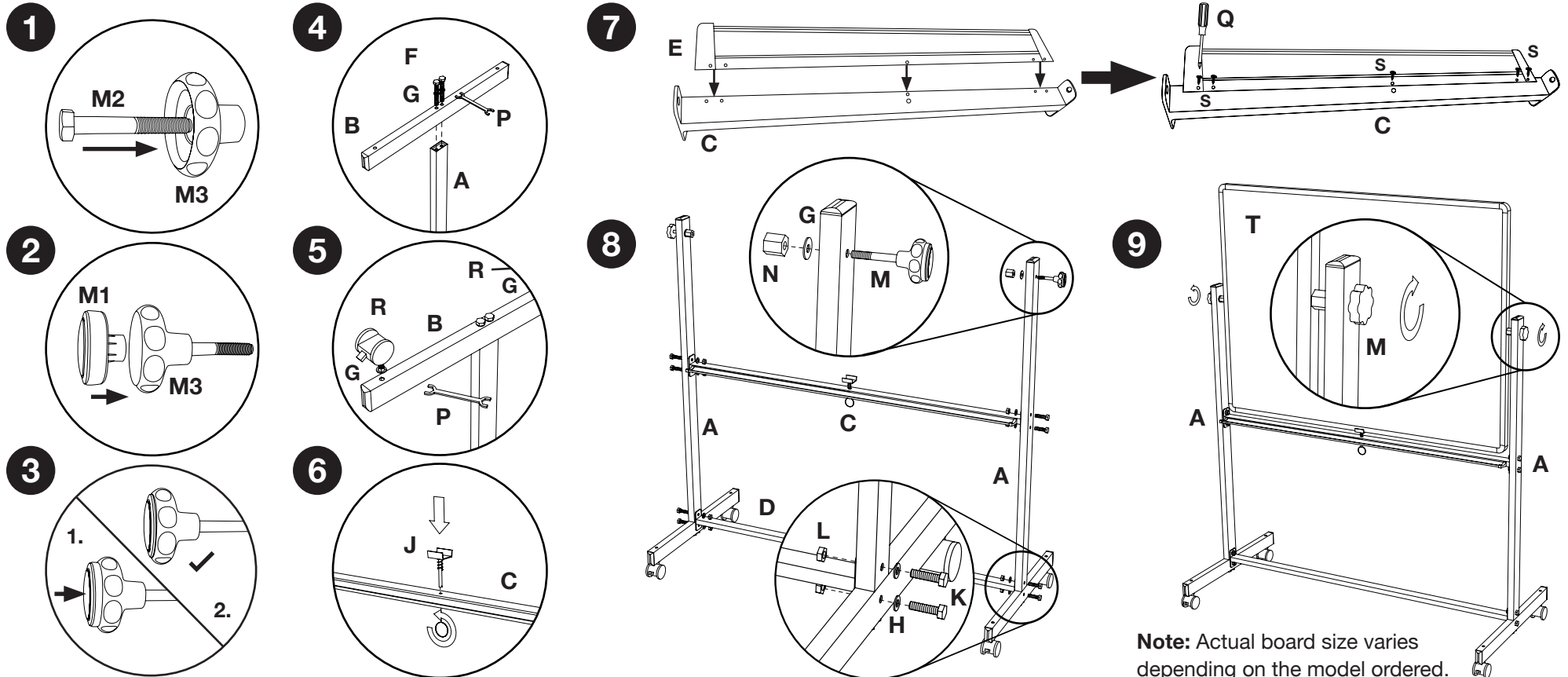
- Additional Wrench



## Mobile Board Instructions

**Note:** After assembly, peel the protective film from both sides of the board.

**Cleaning Tip:** A mild dish washing liquid can be used with a soft cloth to clean the writing surface.



**Note:** Actual board size varies depending on the model ordered.