

# ***Luxor 72" x 48" Reversible Mobile Steel Magnetic Whiteboard***

**Instruction Manual**



*Provided by*

**MyBinding.com**  
*When Image Matters.*

Call Us at 1-800-944-4573

# Mobile Board Instructions

06/19/17

**Note:** After assembly, peel the protective film from both sides of the board.

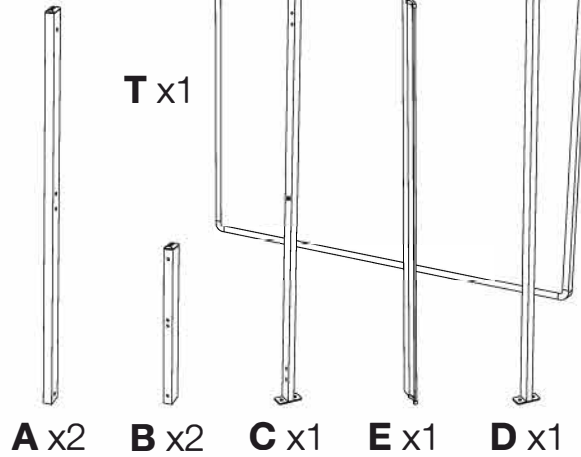
**Cleaning Tip:** A mild dish washing liquid can be used with a soft cloth to clean the writing surface.

**Call Us at**  
**1-800-944-4573**  
 for Orders or Inquiries



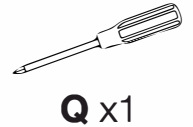
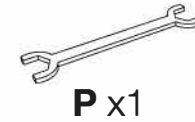
Assistance Required

## Parts List



## Tools Required

- Additional Wrench



F x4

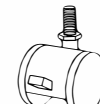
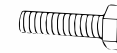
G x10

H x8

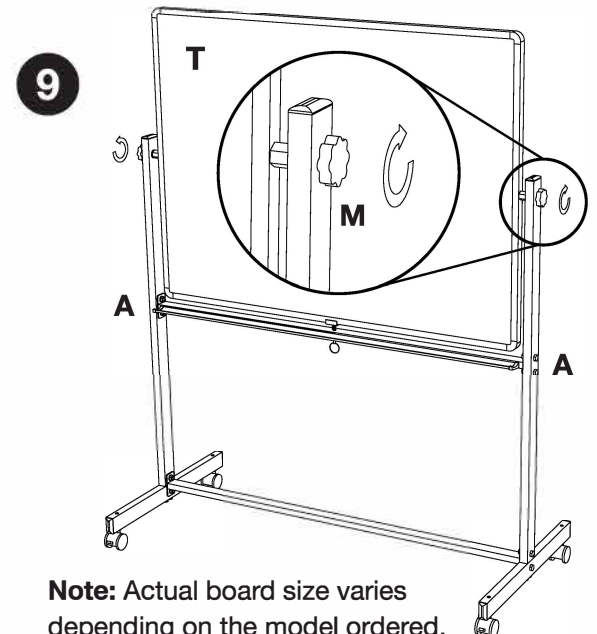
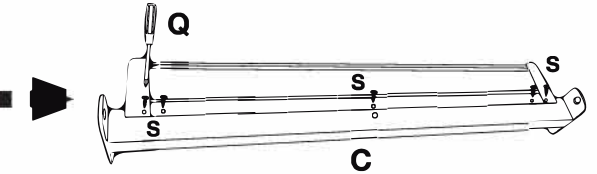
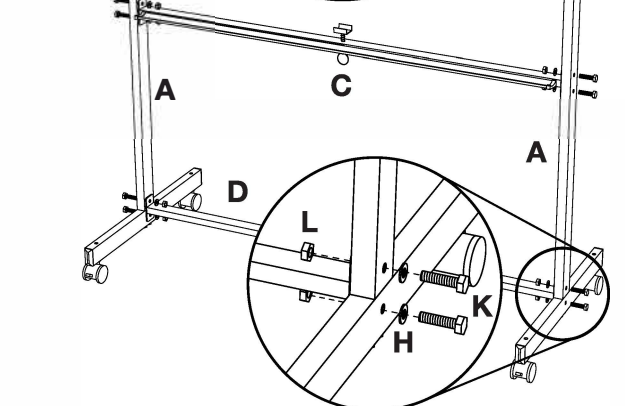
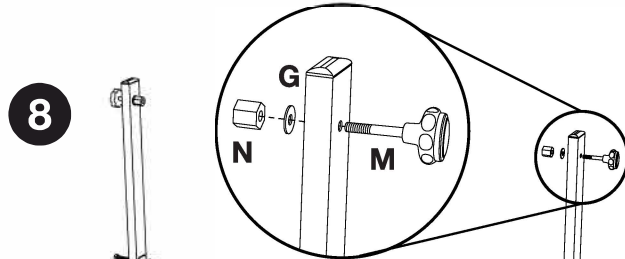
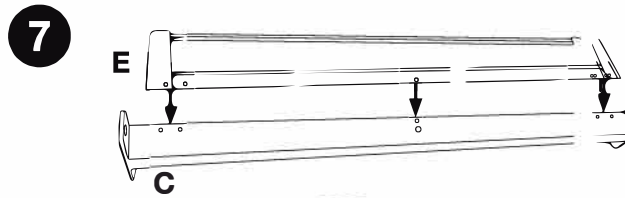
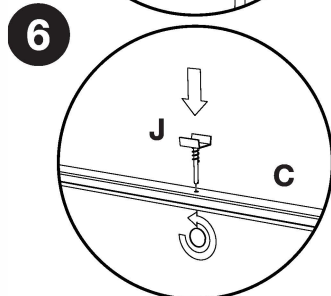
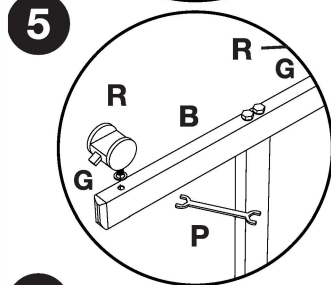
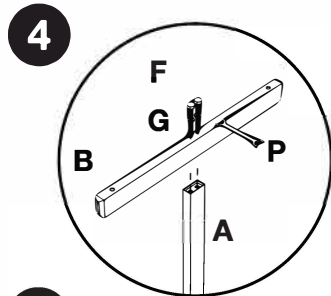
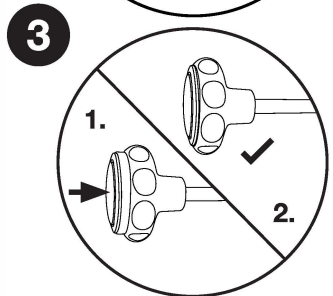
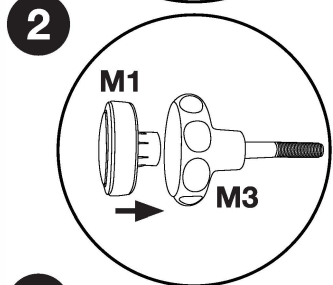
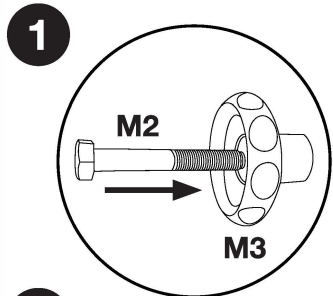
M1 x2

M2 x1

M3 x2



S x varies depending on size of board



**Note:** Actual board size varies depending on the model ordered.