

Luxor RDSTC111RD 3-Shelf Red Tub Utility Cart

Instruction Manual



Provided by

MyBinding.com
When Image Matters.

Call Us at 1-800-944-4573

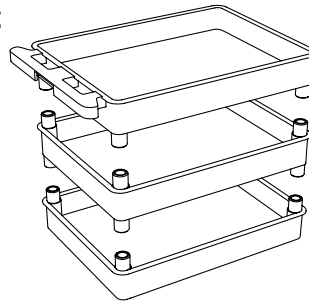
LUXOR

INNOVATIVE WORKSPACE PRODUCT SOLUTIONS

3 Shelf / Tub Cart Instructions

Parts List

Shelves may be flat or tub depending on the model purchased



A x1

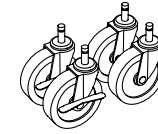
B x1

C x1

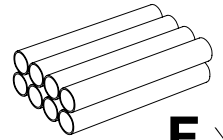
Tools Required

- Rubber Mallet

D x2

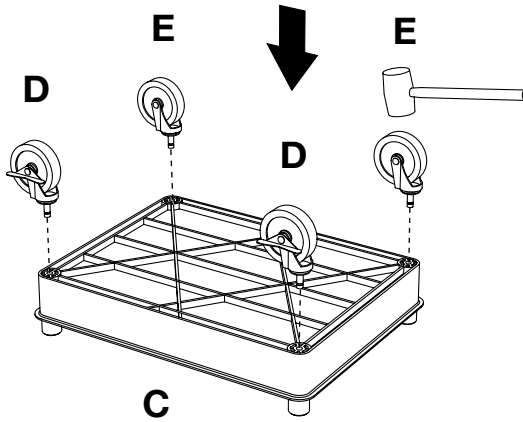


E x2

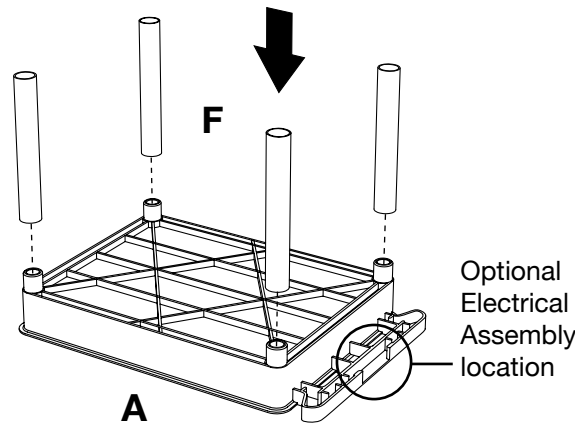


F x8

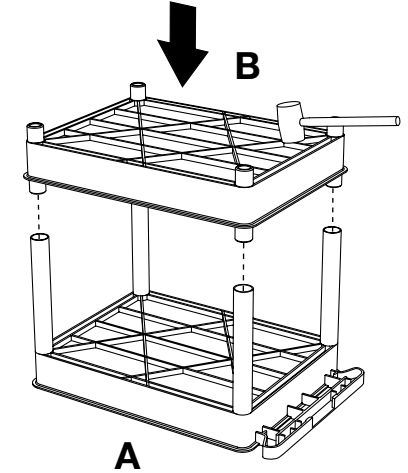
1



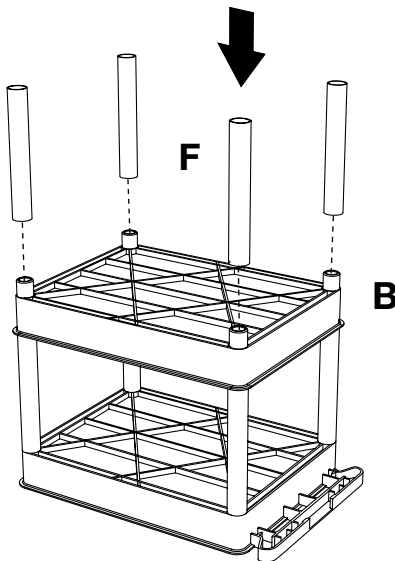
2



3



4



5

