

***Luxor SEC11-G 2-Shelf  
Gray 24" x 18" Tub  
Plastic Utility Cart***

Instruction Manual



*Provided by*

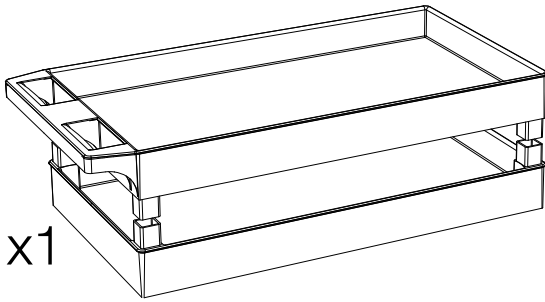
**MyBinding.com**  
*When Image Matters.*

Call Us at 1-800-944-4573

### Parts List

**A** x1

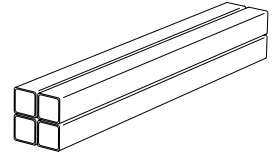
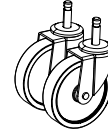
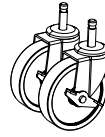
**B** x1



**C** x2

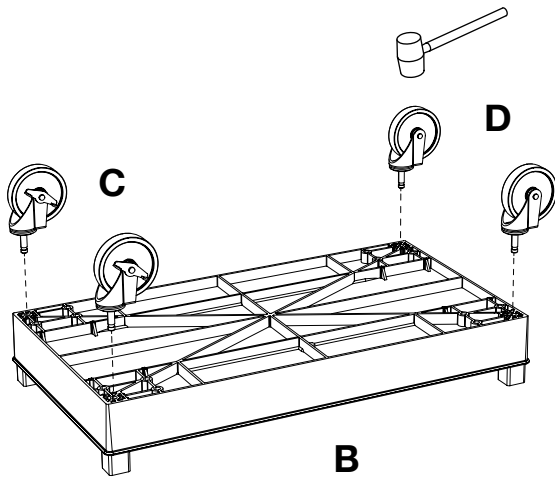
**D** x2

**E** x4

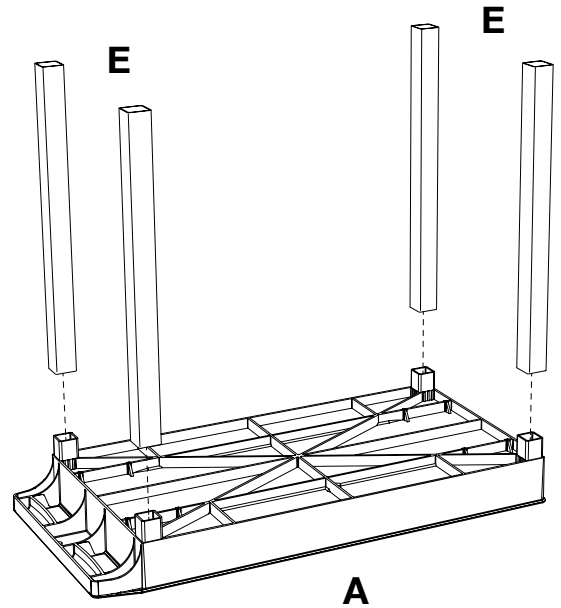


Tools Required: Rubber Mallet

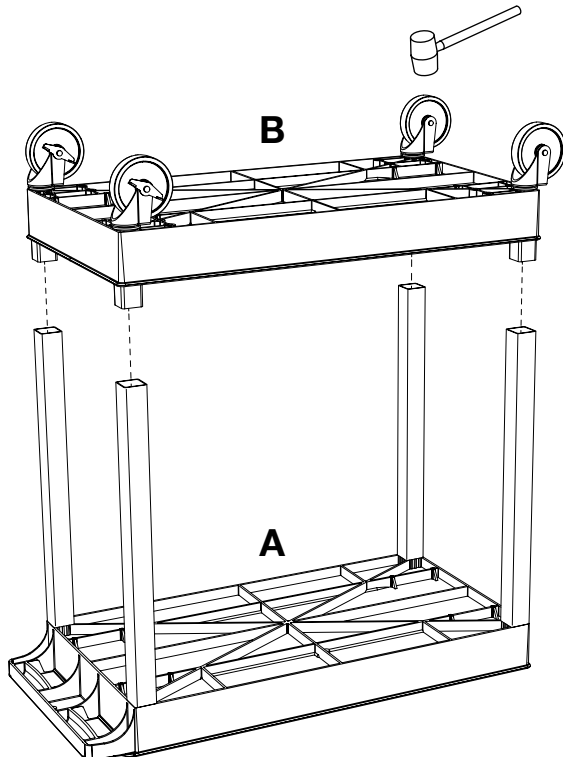
**1**



**2**



**3**



**4**

