

Luxor STC211-G Gray Top Flat and Middle/Bottom Tub Shelf Utility Cart

Instruction Manual



Provided by

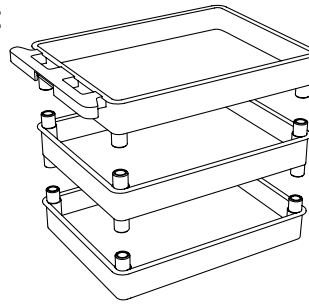
MyBinding.com
When Image Matters.

Call Us at 1-800-944-4573

3 Shelf / Tub Cart Instructions

Parts List

Shelves may be flat or tub depending on the model purchased



A x1

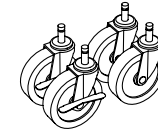
B x1

C x1

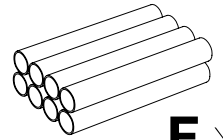
Tools Required

- Rubber Mallet

D x2

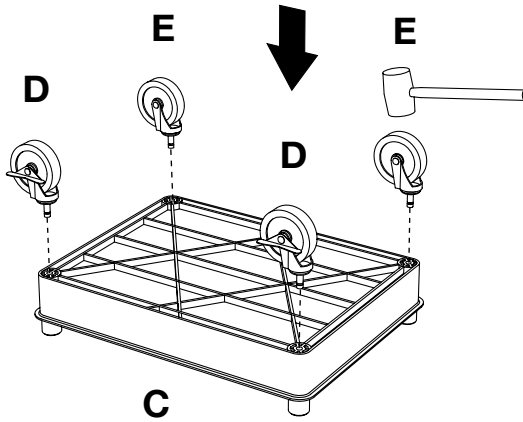


E x2

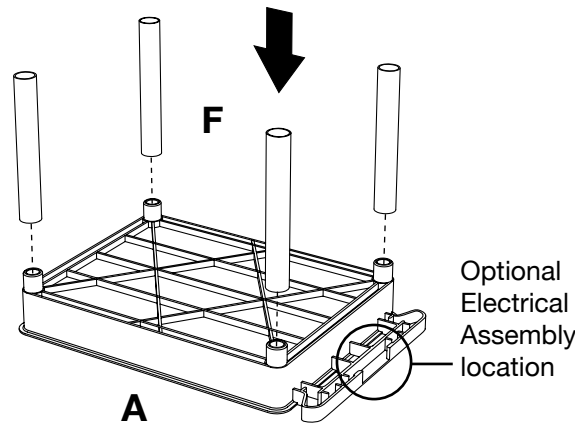


F x8

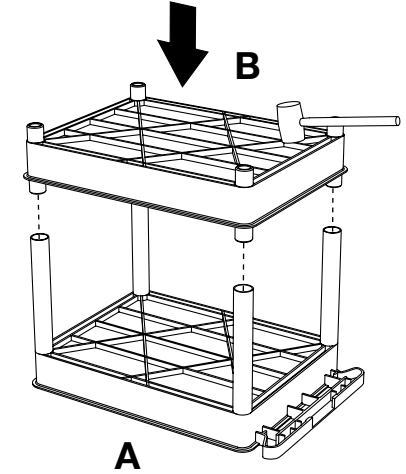
1



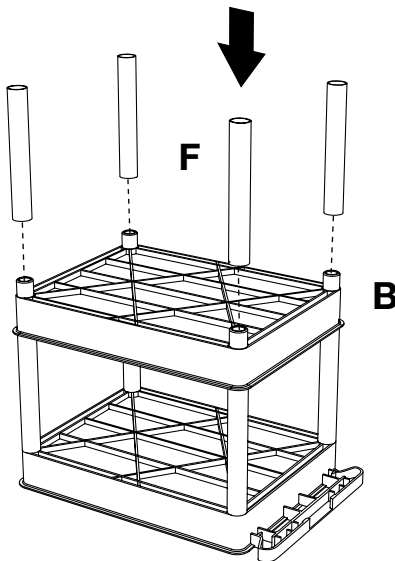
2



3



4



5

