

Luxor 60" X 40" Wall- Mounted Magnetic Steel Whiteboard

Spec Sheet



Provided by

MyBinding.com
When Image Matters.

Call Us at 1-800-944-4573

WB6040W

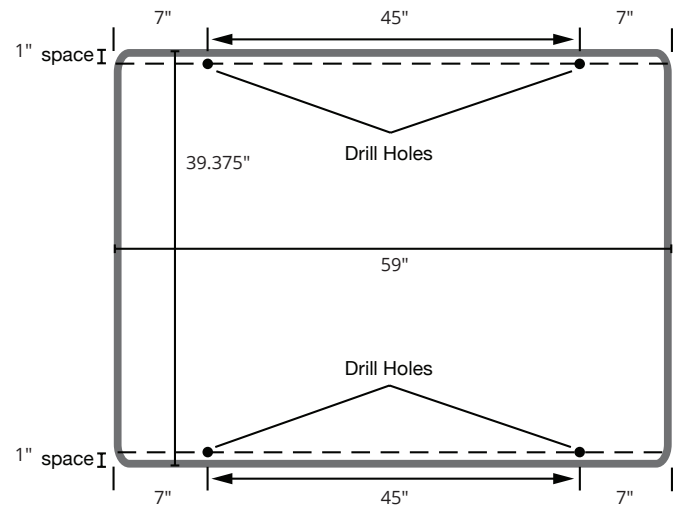
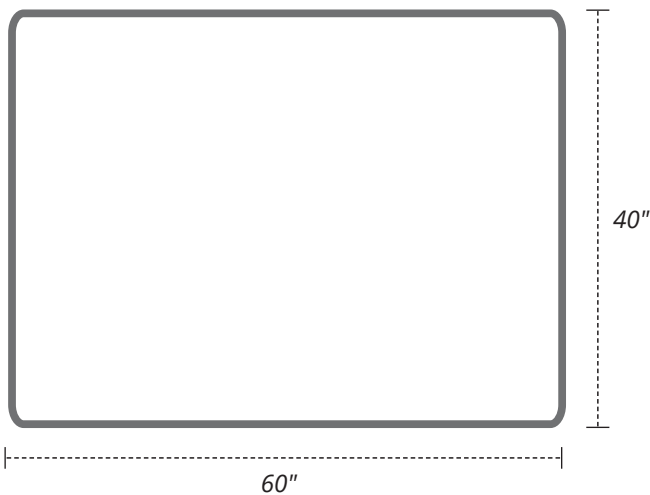
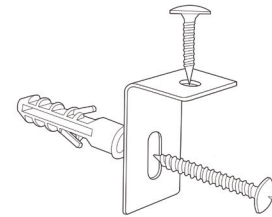
Wall-Mounted Magnetic Whiteboard

Product Specifications

Item Number	WB6040W
Material	Painted Steel
Frame	Aluminum; 1" edging
Surface Material	Magnetic Painted Steel
Full Dimensions	60"W x 40"H
Tray Dimensions	33.5"W x 2.5"D
Actual Weight	27 lbs.
Shipping Method	Freight
Shipping Carton Dimensions	63"W x 44"D x 2"H
Shipping Weight	29 lbs.
Assembly Required	Board assembled; wall-mounted hardware provided

LUXOR

INNOVATIVE WORKSPACE PRODUCT SOLUTIONS



9620 NE Tanasbourne, Dr. Suite 250, Hillsboro, OR 97124