

Luxor 72" x 40" Wall- Mounted Magnetic Ghost Grid Whiteboard

Spec Sheet



Provided by

MyBinding.com

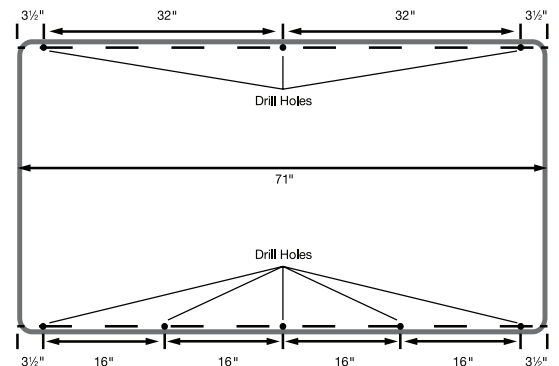
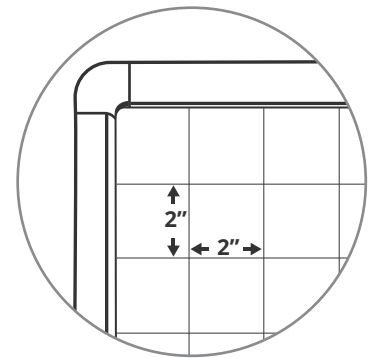
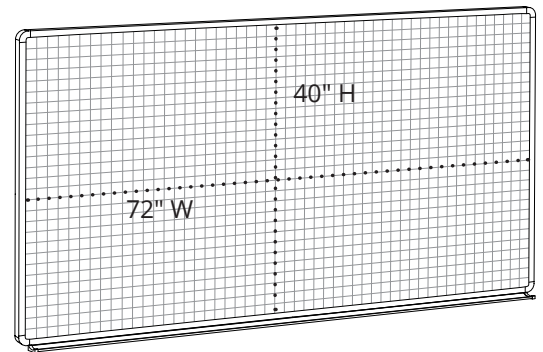
When Image Matters.

Call Us at 1-800-944-4573

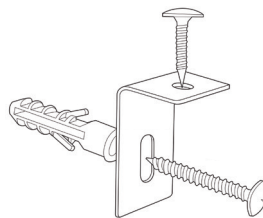
WB7240LB WALL-MOUNTED MAGNETIC GHOST GRID WHITEBOARD

Product Specifications

Item Number	WB7240LB
Material	Painted Steel
Frame	Aluminum; 1" edging
Surface Material	Magnetic Painted Steel
Grid Pattern	2" x 2"
Whiteboard Tape	Ships with 2 rolls
Full Dimensions	72"W x 40"H
Tray Dimensions	69"W x 2.5"D
Actual Weight	21 lbs.
Shipping Method	Ground
Shipping Carton Dimensions	75"W x 44"D x 2"H
Shipping Weight	34 lbs.
Assembly Required	Board assembled; wall-mounted hardware provided



LUXOR
INNOVATIVE WORKSPACE PRODUCT SOLUTIONS



9620 NE Tanasbourne, Dr. Suite 250, Hillsboro, OR 97124



E-mail: sales@mybinding.com

Call Us: 1-800-944-4573