

# Martin Yale EX5100 Express Tabbing Machine

## Parts Manual



Provided By

**MyBinding**.com®  
*When Image Matters.*

# Model EX5100 Express Tabber

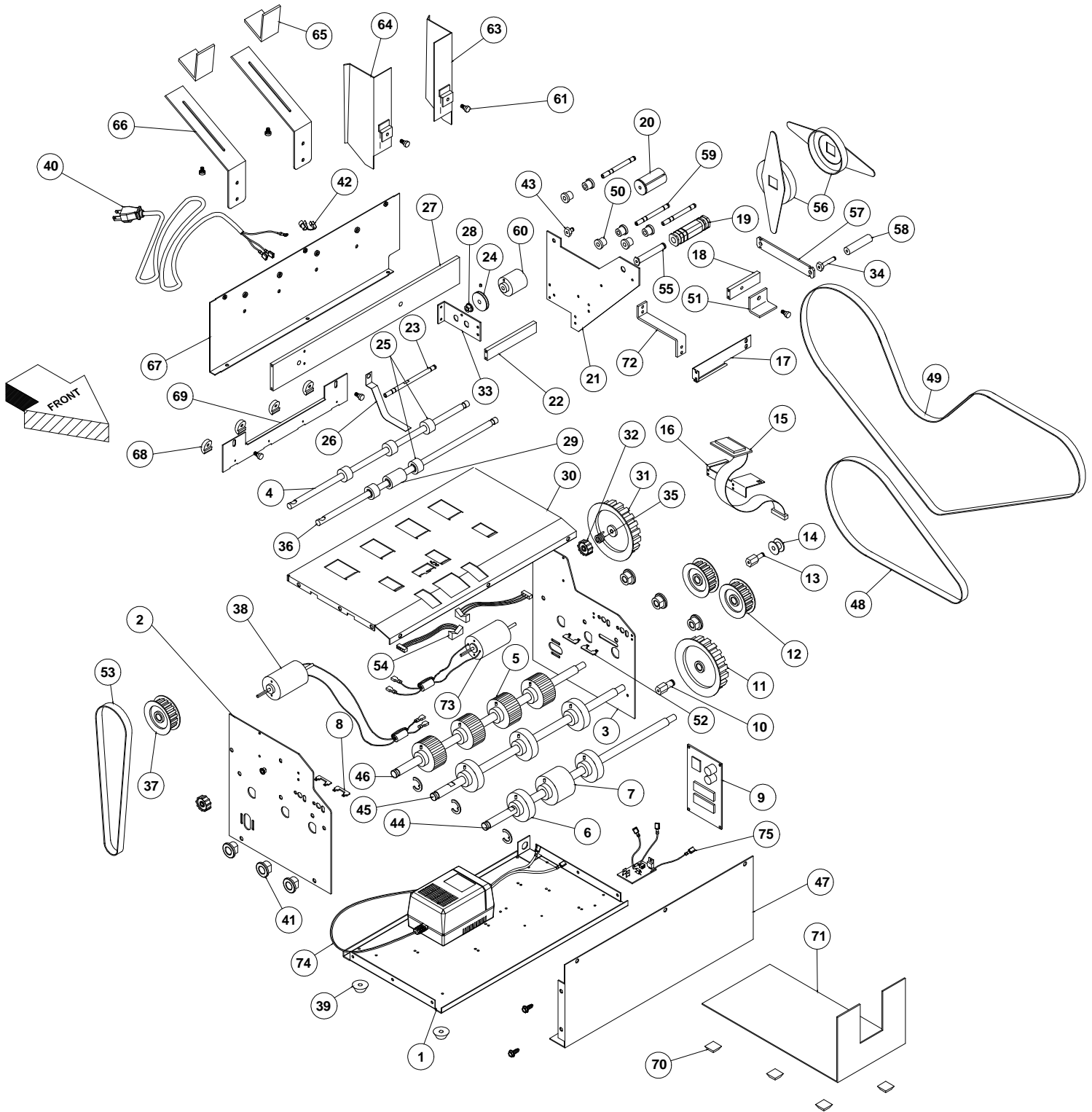
## PARTS LIST

| Item | Part No.  | Qty. | Description             | Item | Part No.    | Qty. | Description                |
|------|-----------|------|-------------------------|------|-------------|------|----------------------------|
| 1.   | W-O501104 | 1    | Bottom Panel            | 38.  | W-A501176   | 1    | Tab Motor Assembly         |
| 2.   | W-O501114 | 1    | Tabber Right Side Frame | 39.  | M-S030045   | 4    | Rubber Foot                |
| 3.   | W-O501115 | 1    | Tabber Left Side Frame  | 40.  | M-S037020   | 1    | 115V USA Line Cord         |
| 4.   | W-O501206 | 1    | Upper Middle Shaft      | 41.  | M-S013024   | 6    | Media Drive Bushing        |
| 5.   | M-O501006 | 4    | Media Feed Wheel        | 42.  | M-S035015   | 1    | Strain Relief #SR-5P-4     |
| 6.   | M-O501403 | 5    | Media Drive Roller      | 43.  | W-O501215   | 1    | Back Tape Mounting Post    |
| 7.   | W-O501604 | 1    | Tab Back-Up Roller      | 44.  | W-O501204   | 1    | Exit Shaft                 |
| 8.   | W-O501622 | 2    | Right Pressure Arm      | 45.  | W-O501203   | 1    | Media Drive Shaft          |
| 9.   | W-O501005 | 1    | Tabber Logic Board      | 46.  | W-O501201   | 1    | Feeder Shaft               |
| 10.  | W-O501220 | 1    | 20 X 80T Pulley Post    | 47.  | W-O501103   | 1    | Rear Panel                 |
| 11.  | M-O501003 | 1    | 20 X 80T Dual Pulley    | 48.  | M-S025042   | 1    | 95T 3MM HDT Belt           |
| 12.  | M-S022134 | 2    | 28T 3MM HDT Pulley      | 49.  | M-S025046   | 1    | 204T Timing Belt           |
| 13.  | W-O501609 | 1    | Belt Idler Pulley Post  | 50.  | M-O501304   | 6    | Tab Guide Spool            |
| 14.  | W-O501610 | 1    | Belt Idler Pulley       | 51.  | M-O501607   | 1    | Tab Support Guide          |
| 15.  | W-A501181 | 1    | LCD Display Assembly    | 52.  | W-O501621   | 2    | Left Pressure Arm          |
| 16.  | W-O501618 | 1    | LCD Display Bracket     | 53.  | M-S025041   | 1    | 130T 3MM HDT Belt          |
| 17.  | W-O501113 | 1    | EX5100 Tab Peel Plate   | 54.  | M-S045285   | 2    | Sensor Rtro Rflct          |
| 18.  | W-O501216 | 1    | Peel Mounting Bar       | 55.  | W-O501212   | 1    | Tab Reel Spindle Post      |
| 19.  | W-O501303 | 1    | Tab Reel Spindle        | 56.  | M-O501010   | 2    | Tab Reel and Guide         |
| 20.  | W-O501306 | 1    | Take-Up Spool           | 57.  | W-O501218   | 1    | Tab Reel Brake Link        |
| 21.  | W-O501109 | 1    | Tabber Dispenser Frame  | 58.  | W-O501050   | 1    | Tab Reel Brake Roller      |
| 22.  | W-O501606 | 1    | Tab Support Bar         | 59.  | W-O501214   | 3    | Tab Spool Guide Post       |
| 23.  | W-O501209 | 1    | Dispenser Drive Shaft   | 60.  | W-A501601   | 1    | Tab Drive Roller           |
| 24.  | W-O501305 | 1    | Take-Up Drive Pulley    | 61.  | M-S032004   | 2    | #10-32X3/8 Ny.Thumb Screw  |
| 25.  | M-O501602 | 5    | Drive Pressure Roller   | 63.  | W-O501107   | 1    | Left Media Guide, Tabber   |
| 26.  | W-O501119 | 1    | Feeder Exit Guide       | 64.  | W-O501108   | 1    | Right Media Guide, Tabber  |
| 27.  | W-O501219 | 1    | Cross Bar               | 65.  | W-I501611   | 2    | Media Feed Adjust Brkt.    |
| 28.  | W-O501031 | 2    | Bushing with Flat       | 66.  | W-I501612   | 2    | Media Support Bracket      |
| 29.  | W-O501603 | 1    | Tab Pressure Roller     | 67.  | W-O501102   | 1    | Front Panel                |
| 30.  | W-O501101 | 1    | Top Panel               | 68.  | M-O501004   | 4    | Media Separator            |
| 31.  | W-O501015 | 1    | 72T Feed Drive Pulley   | 69.  | W-O501614   | 1    | Separator Frame            |
| 32.  | M-O501012 | 2    | 10T Motor Pulley        | 70.  | M-S61000039 | 4    | Rubber Bumpers             |
| 33.  | W-O501608 | 1    | Dispenser Shaft Bracket | 71.  | W-O501620   | 1    | Exit Tray                  |
| 34.  | W-O501213 | 1    | Brake Link Post         | 72.  | W-O501615   | 1    | Peel Plate Support Bracket |
| 35.  | M-S031033 | 1    | Clutch Spring           | 73.  | W-A501177   | 1    | Media Motor Assembly, M-K  |
| 36.  | W-O501207 | 1    | Upper Exit Shaft        | 74.  | W-A501222   | 1    | 120VAC Transformer         |
| 37.  | M-O501014 | 1    | 60T Drive Pulley        | 75.  | M-O501017   | 1    | Tab/Lab Motor Board        |

### Parts List for Non - Illustrated Parts

|           |   |                            |           |   |                        |
|-----------|---|----------------------------|-----------|---|------------------------|
| WRA500022 | 2 | #10 Blue Thumb Screw Knob  | M-S031029 | 4 | Pressure Arm Spring    |
| WRA500021 | 5 | #10 Black Thumb Screw Knob | M-S033025 | 1 | On/Off Switch SPST 16A |
| W-O501109 | 1 | Tabber Dispenser Frame     | M-S033026 | 2 | Momentary Switch       |
| WRA501001 | 1 | Left Side Cover            | W-A501025 | 1 | Media Switch Cable     |
| M-O501002 | 1 | Right Side Cover           | W-A501026 | 1 | Tab Switch Cable       |
| M-S023030 | 1 | #203 O-Ring EPDM           | W-A501182 | 1 | Tab Sensor Cable Assy  |
| M-S023031 | 2 | 11/16" ID O-Ring           | WRA501175 | 1 | 18" Power Cable        |
| M-S023033 | 1 | Take-Up Drive Belt         |           |   |                        |

# PARTS DIAGRAM



**MARTIN YALE**  
Industries

251 Wedcor Avenue • Wabash, IN 46992  
**Phone:** (260) 563-0641 • **Fax:** (260) 563-4575  
**website:** [www.martinyale.com](http://www.martinyale.com) • **email:** [info@martinyale.com](mailto:info@martinyale.com)