

Martin Yale 501 Stackwagon

Instruction Manual



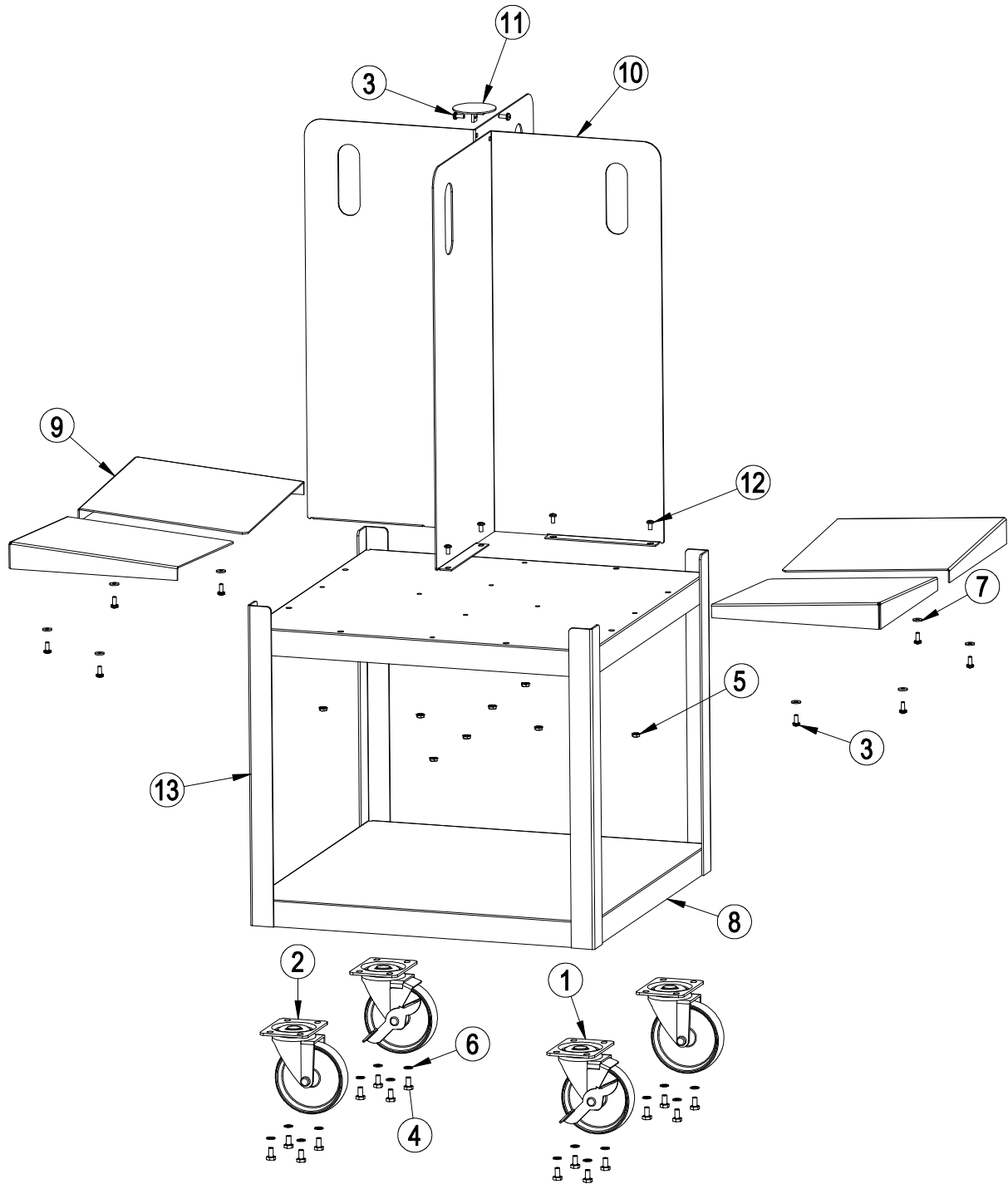
Provided by

MyBinding.com
When Image Matters.

Call Us at 1-800-944-4573

Model 500/501 StackWagon

Assembly Instructions



 **martin yale**[®]

- A. Start by carefully unpacking all parts and checking with parts list. (NOTE: Diagram represents Model 500. Model 501 is similar, but 12 inches wider.
- B. Invert base assy. (8) and fasten Casters to the support channels on the bottom. Put Locking Casters (1) in opposite corners. Use 1/4-20 x 1/2 Hex Head Bolts (4) and 1/4 Lock Washers (6) provided.
- C. Turn base assy upright and place Dividers (10) on top with holes aligned as shown. Insert 10-32 x 3/8 Phil Truss (12) from top side and attach Keps Nuts (5) from bottom (Finger tight only).
- D. Place Divider Cap (11) on top of dividers and attach with 10-32 x 1/2 Pan Sems (3) (finger tight only).
- E. Place four Corner Ramps (9) in each section with corners inside base angle. Move dividers around slightly to fit if necessary. Now tighten screws in divider cap. (NOTE: Model 500 ramps are identical, Model 501 has two left and two right ramps.)
- F. Remove one corner ramp covering screws in divider and tighten screws. Repeat on opposite corner ramp.
- G. Return (2) Corner Ramps back in place and secure all four ramps with 10-32 x 1/2 Pan Sems (3) and #10 Flat Washers (7).

CAUTION:

When stacking paper on wagon, balance the load between the four corners or in two opposite corners. This will help prevent wagon from tipping.

PARTS LIST

Model 500				Model 501			
Fig.	Part No.	Description	Qty.	Fig.	Part No.	Description	Qty.
1	M-O050008	Caster w/Lock	2	1	M-O050008	Caster w/Lock	2
2	M-O050011	Caster wo/Lock	2	2	M-O050011	Caster wo/Lock	2
3	M-S001023	10-32 x 1/2 Pan Sems	10	3	M-S001023	10-32 x 1/2 Pan Sems	10
4	M-S003004	1/4-20 x 1/2 Hex/H	16	4	M-S003004	1/4-20 x 1/2 Hex/H	16
5	M-S007008	10-32 Keps Nut	8	5	M-S007008	10-32 Keps Nut	10
6	M-S008029	1/4 Intl. L/Washer	16	6	M-S008029	1/4 Intl. L/Washer	16
7	M-S008005	#10 Flat Washer	8	7	M-S008005	#10 Flat Washer	8
8	W-O050000	Base Assembly	1	8	W-O050100	Base Assembly	1
9	W-O050003	Corner Ramp	4	9	W-O050108	Left Corner Ramp	2
10	W-O050006	Divider	2	9	W-O050109	Right Corner Ramp	2
11	W-O050026	Divider Cap	1	10	W-O050106	Divider	2
12	M-S001022	10-32 x 3/8 Phil Truss	8	11	W-O050026	Divider Cap	1
				12	M-S001022	10-32 x 3/8 Phil Truss	10



251 Wedcor Avenue • Wabash, IN 46992
 Phone: 260-563-0641 • Fax: 260-563-4575
 email: info@martinyale.com • website: www.martinyale.com