

***Quartet 24" x 36" Grey  
In Out System with 36  
Names - 783G***

Instruction Manual



*Provided by*

**MyBinding.com**

*When Image Matters.*

Call Us at 1-800-944-4573



# Euro™ Style Boards

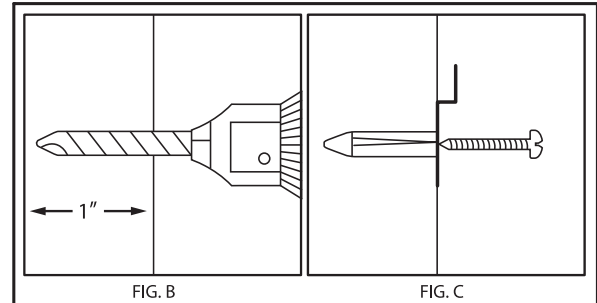
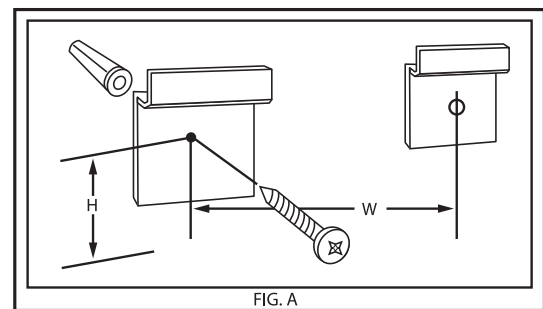
## Installation Instructions

### Board Includes:

- 2 Aluminum Hanging Brackets
- 2 Plastic Wall Anchors
- 2 1" (25mm) Long Screws

### Mounting the brackets

1. To determine the proper mounting width of the wall brackets, measure the outside width of the board and mark the location of the mounting holes 6" (150mm) less than the width of the board.
2. To determine the proper mounting height of the wall brackets, mark the location of the mounting holes 7/8" (2.2mm) less than the desired heights of the top of the board (FIG.A).
3. Drill wall anchor holes a minimum of 1" deep using a 7/32" (5.5mm) dia. drill bit (FIG.B).
4. Insert the wall anchors into the hole flush with the wall (FIG.C).
5. Insert the screw through the hanging bracket and into the wall anchor and tighten. NOTE: The lip on the bracket must be in the up position (FIG.C).



### Attaching board to brackets

1. Holding the board at a 10 to 15 degree angle, place the channel in the back of the frame over the wall brackets (FIG.D).
2. Lower the panel so that it is flush to the wall (FIG.E).
3. The board is now securely mounted.

