

# ***Quartet 6" Wall Mount Screen Bracket - AW6Q***

Instruction Manual



*Provided by*

**MyBinding.com**  
*When Image Matters.*

Call Us at 1-800-944-4573

# 6" Wall Bracket

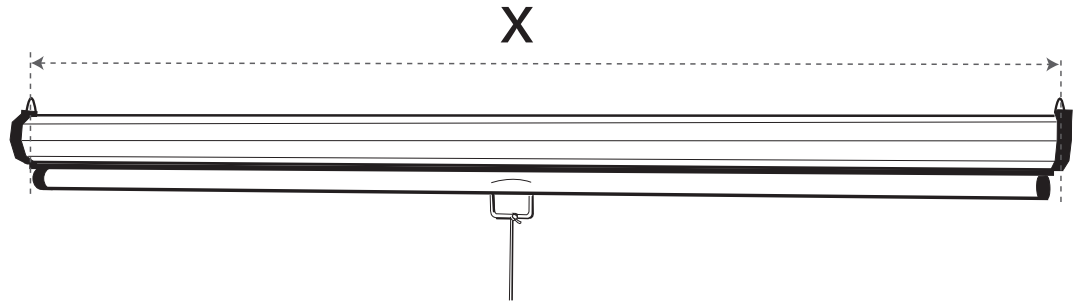


For Projection Screens, Manual/Electric Screens

AW6Q

1

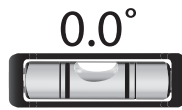
ITEM	"X"
660S	63 -1/4"
670S	73-1/8"
684S	87-3/32"
696S	99-3/32"
770S	76-3/8"



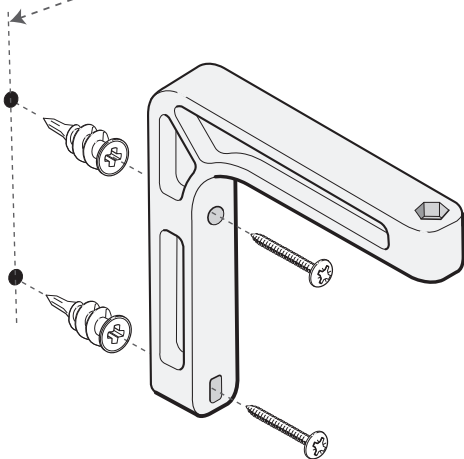
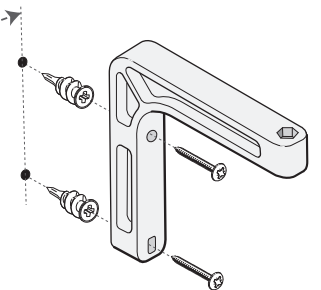
2



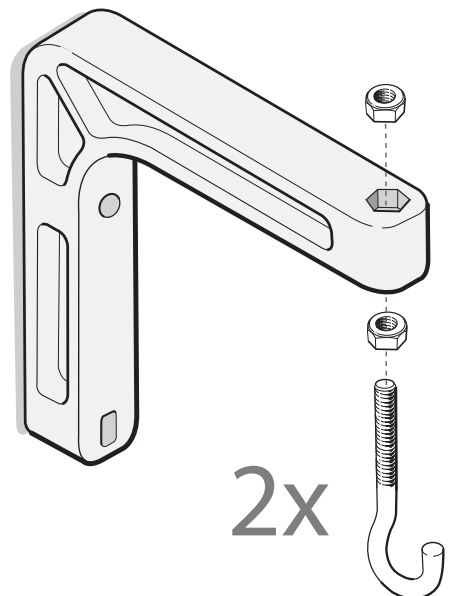
Use appropriate fasteners to hold the weight of the screen



X



3



MyBinding.com  
 5500 NE Moore Court  
 Hillsboro, OR 97124  
 Toll Free: 1-800-944-4573  
 Local: 503-640-5920