

***Quartet Euro Premium Mobile
27" x 41" Magnetic Porcelain
Whiteboard/ Flipchart Easel - EU2000TE***

Instruction Manual



Provided by

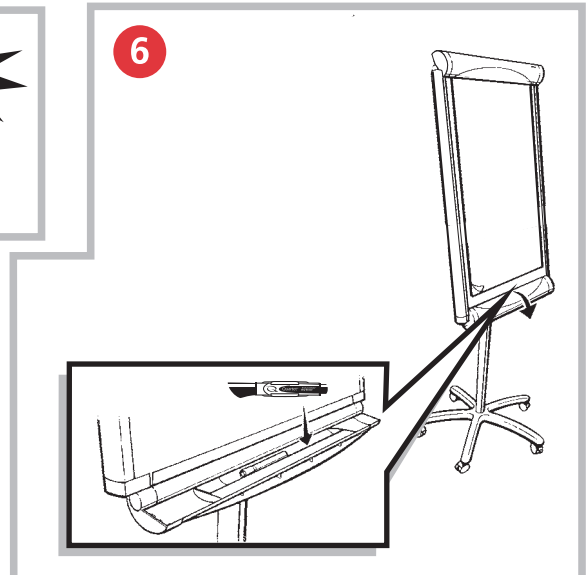
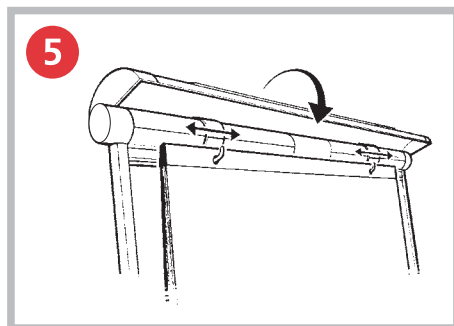
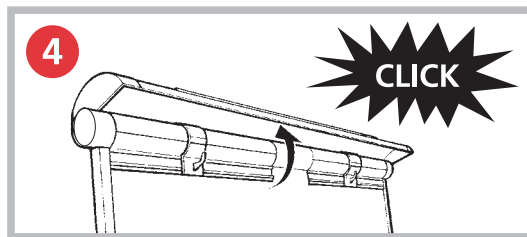
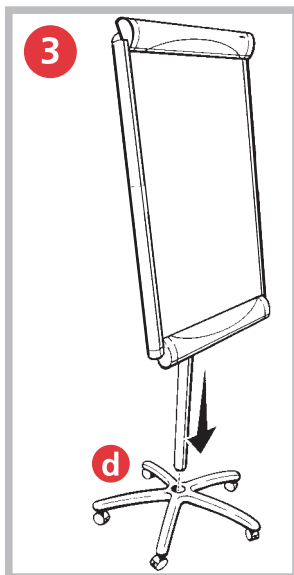
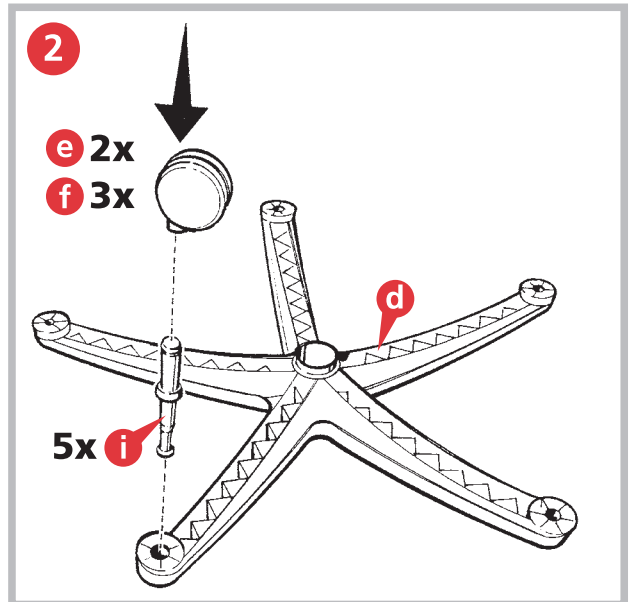
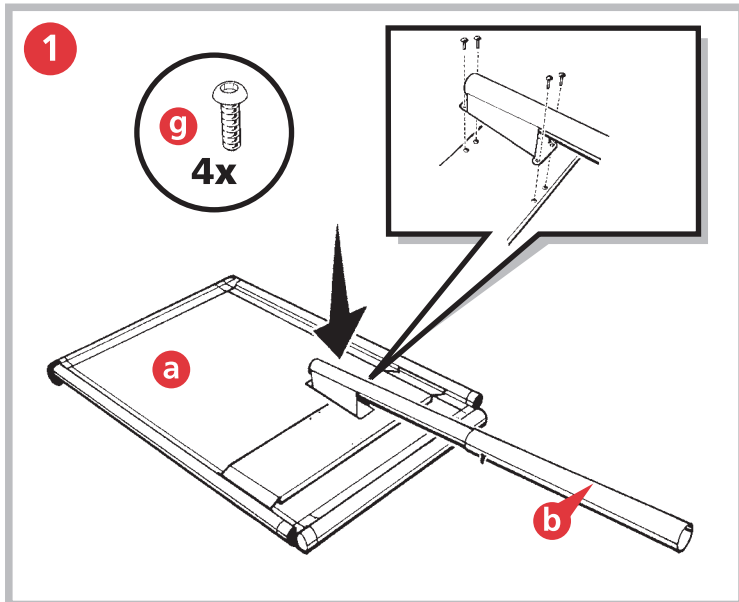
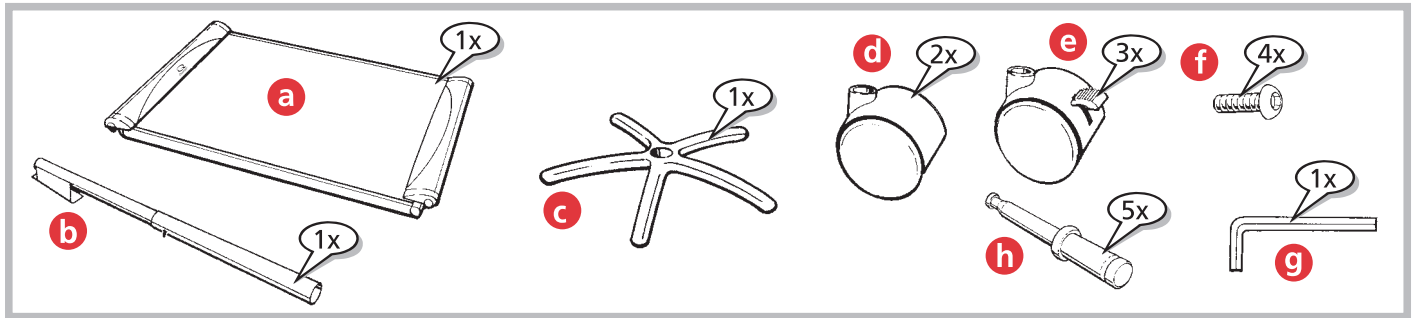
MyBinding.com
When Image Matters.

Call Us at 1-800-944-4573



EURO PORCELAIN
TOTAL ERASE MOBILE EASEL

EU2000TE



MyBinding.com
5500 NE Moore Court
Hillsboro, OR 97124
Toll Free: 1-800-944-4573
Local: 503-640-5920



Quartet is a registered trademark of General Binding Corporation. ACCO name and design is a registered trademark of ACCO Brands. © 2013 ACCO Brands Corporation. All Rights Reserved.

Quartet est une marque déposée de General Binding Corporation. Le nom ACCO et son dessin est une marque déposée d'ACCO Brands. © 2013 ACCO Brands Corporation. Tous droits réservés.

Quartet es una marca registrada de General Binding Corporation. El nombre y el diseño de ACCO son marca registrada de ACCO Brands. © 2013 ACCO Brands Corporation. Todos los derechos reservados.