

Quartet Double Adjustable Two Sided Masonite Easel - XEH007

Instruction Manual



Provided by

MyBinding.com

When Image Matters.

Call Us at 1-800-944-4573

Installation Instructions

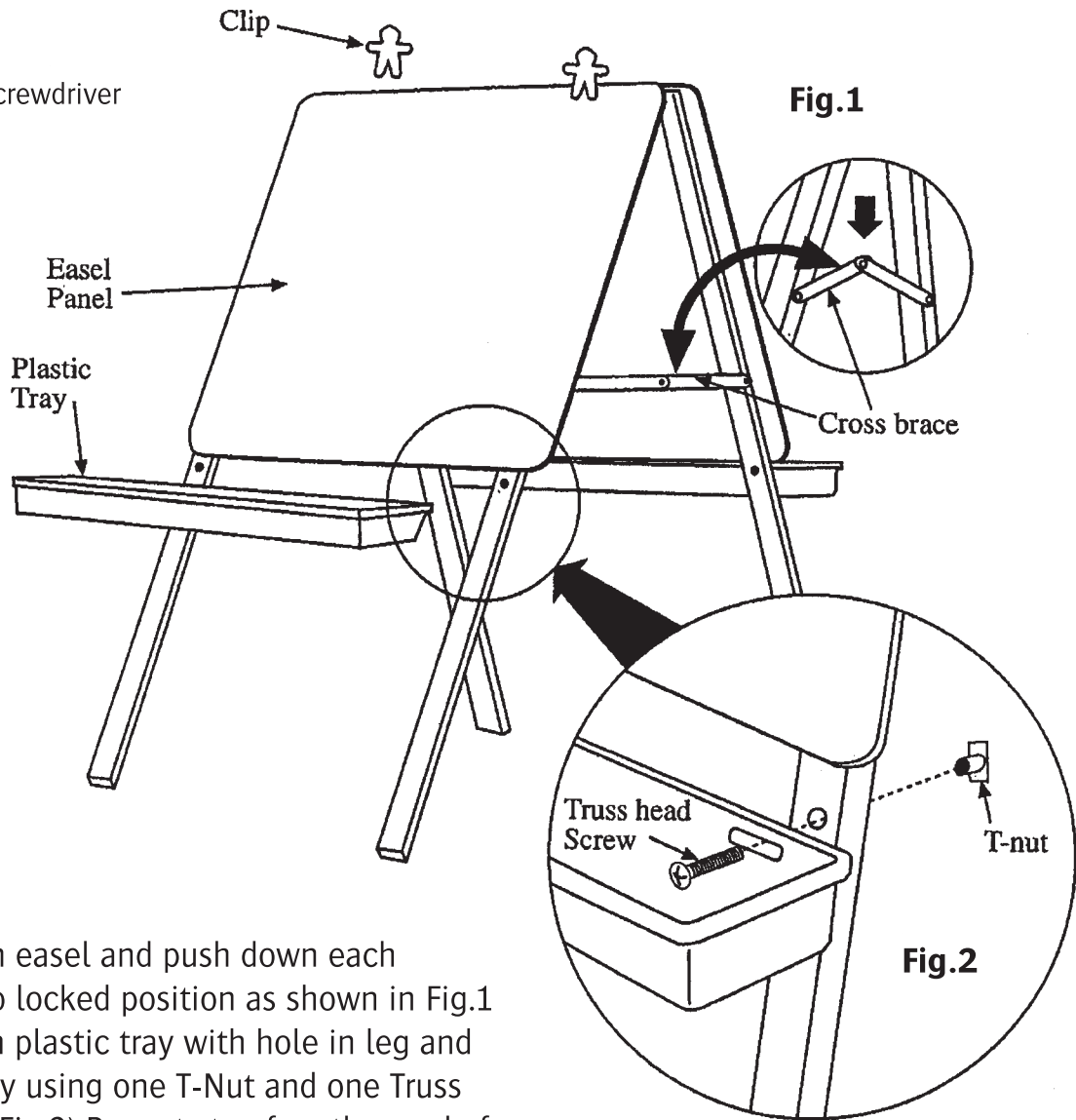
Product #: XEH004, XEH006, XEH007, XEH013, XEH023

Parts Included:

- (4) T-Nuts
- (4) Phillips Truss Head Screws
- (2) Plastic Trays
- (4) Clips

Tools Needed:

Phillips Head Screwdriver



Step 1: Open easel and push down each cross-brace to locked position as shown in Fig.1

Step 2: Align plastic tray with hole in leg and attach the tray using one T-Nut and one Truss Head Screw. (Fig.2) Repeat step for other end of tray. Attach other tray in the same manner. (Note: Extra holes are provided in the legs for raising and lowering easel panel and tray.)

Step 3: Attach clips to top of easel panel as shown.