

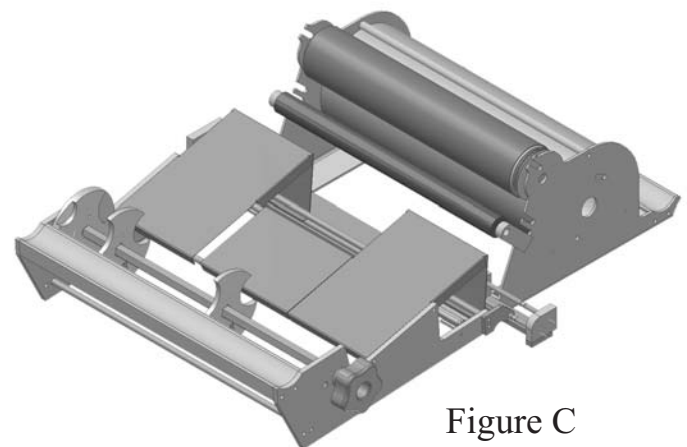
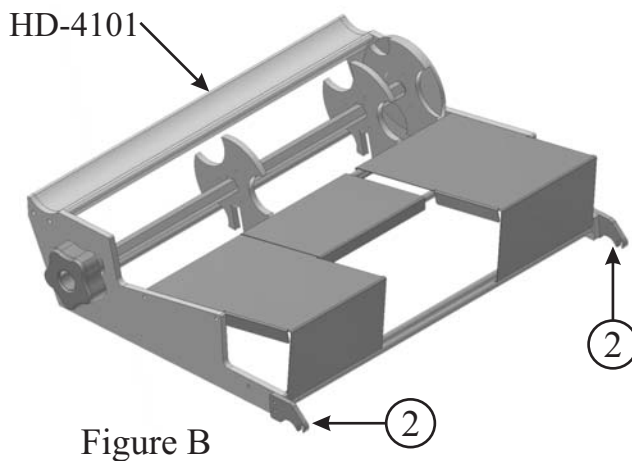
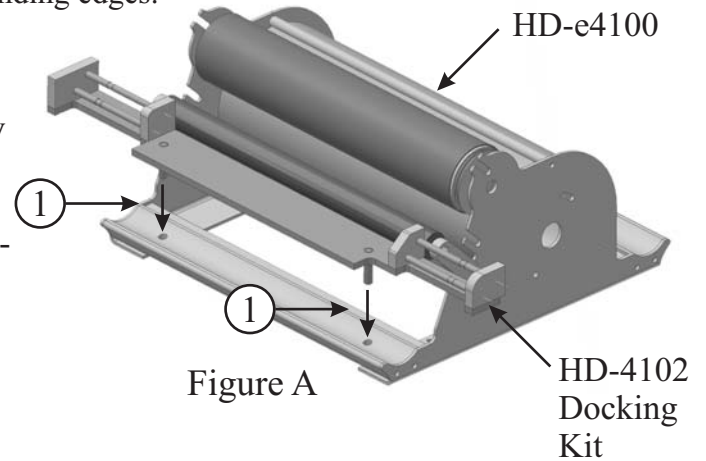
HD-4101 Book Former and HD-e4100 Coil Inserter

“HD-4102 Docking Kit” Instruction Sheet

For 11” to 14” binding edges.

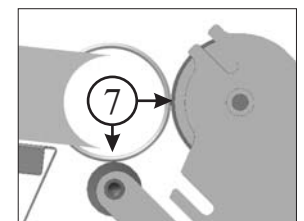
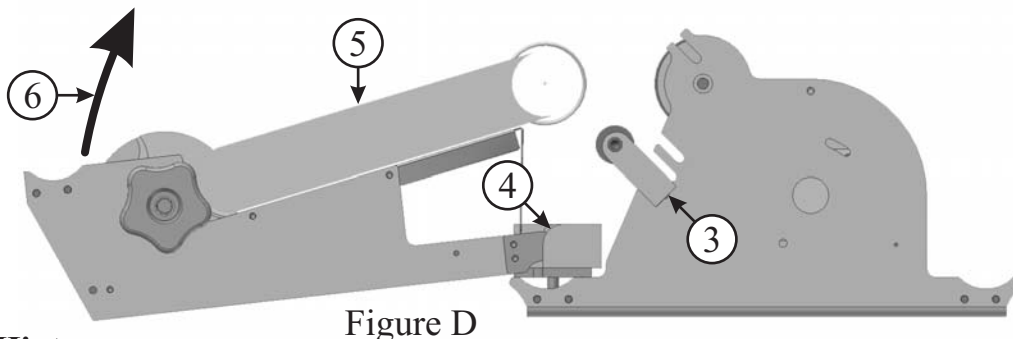
Initial Setup:

- Shown in Figure A: Insert the HD-4102 Docking Kit mount pins (1) into the two holes in the front bar of the HD-e4100 Coil Inserter until completely down and flush.
- Shown in Figure B: Attach the Clips (2) to the HD-4101 Book Former with supplied screws using supplied Allen wrench.
- Shown in Figure C: Mount the HD-4101 Book Former to the “HD-4102 Docking Kit”.



Operation:

- See Figure D & E: When Coiling 32MM and above, set the Small Roller (3) to the lower position and the Clips (4) to the Bottom position. With 32MM and below, use the Small Roller (3) middle position and the Clip (4) Top position. With the book loaded and coil started, rotate the HD-4101 Book Former (6) upward while holding the book in place (5). The setup is correct when your coil engages both the lower roller and larger roller almost simultaneously (7). These are general rules for coiling. When you have become comfortable with the system, alternate setups work well also.



Hint:

- While learning to coil with the larger sizes of coil, using a simple trick will speed up your job. Use the size coil you’re binding, cut a piece into a half circle (½ coil). When you enter your binding coil into the first 4 holes, also put the ½ coil into the last hole. This aligns the book much better and must be removed just as the binding coil enters the last hole.

Performance Design Inc.
2350 E. Braniff Street
Boise, Idaho 83716-9613

WWW.

RHIN-



-TUFF

.COM

1-800-390-5782 (English speaking)
FAX 1-800-390-5783 (All Languages)
Pdi@pdibind.com (All Languages)