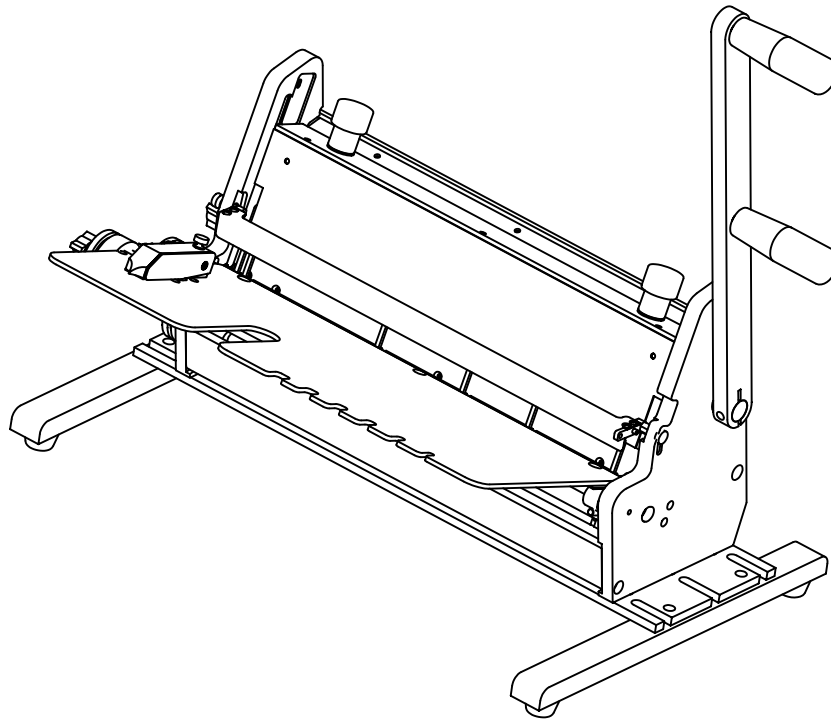


PDI Performance Design Inc.
HD-8370 PARTS BOOK

3-1 Wire Closer Module
Applies To All 8300 Style Modules



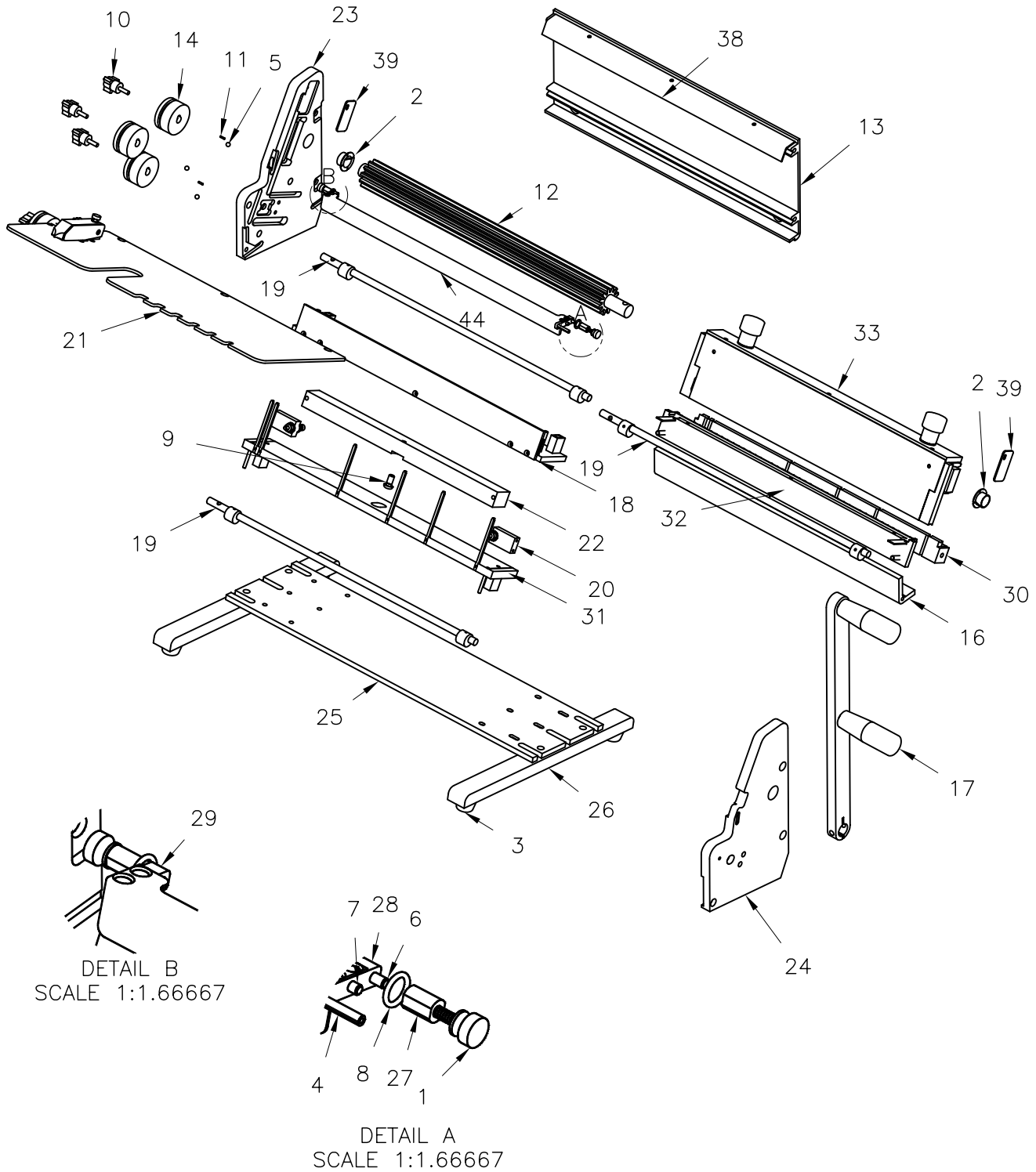
Mailing Address: 2350 E. Braniff, Boise, Idaho 83716-9613
Telephone: 800-390-5782
Fax: 800-390-5783
Electronic Mail: PDI@PDIbind.com
Web Site: www.RHIN-O-TUFF.com

HD-8370 PARTS BOOK

Page 1

PDi P/N 8370

- Assembly, Main -



HD-8370 PARTS BOOK

Page 2

PDi P/N 8370

- Assembly, Main -

Index

Parts List				
ITEM	QTY	PART NUMBER	DESCRIPTION	NOTE
1	2	001010	SC,THUMB 8/32 X 3/8 BRASS	
2	2	001036	BUSHING,NYLON FLANGE	
3	4	001050	FEET,RUBBER SCREW MOUNT	
4	1	001062	PIN,ROLL 1/8 X 3/4"	
5	3	001101	BALL,STEEL 3/16"	
6	2	001461	PIN,DOWEL 1/8 X 7/16"	
7	2	001462	PIN,DOWEL 1/8 X 1/2"	
8	2	001661	O-RING,RUBBER 1/8 X 1/4 X 1/16	
9	1	002081	SC,BHSCS 1/4-20 X 1/2 NYLON	
10	3	002210	KNOB,8-32 X 9/16 PLASTIC 3LUG	
11	2	082150	PIN,DOWEL 1/16 X 5/16"	
12	1	082160	PIN,DOWEL 1/16 X 5/16"	
13	1	082170	PLATE,BACK CLOSER	
14	3	082260	KNOB,CAMSHAFT	
15	1	082290	PLATE,WSB SLIDE	
16	1	082300	ANGLE,BOTTOM FRONT	
17	1	082340	ASSY, HANDLE (8200/8300)	See Page 3
18	1	082350	ASSY, WIRE BACKREST 8300	See Page 4
19	3	082360	ASSY, CLOSER CAMSHAFT	See Page 5
20	2	082370	ASSY, ADJ. BLOCK 8200/8300	See Page 6
21	1	082380	ASSY, TABLE 8200/8300	See Page 7
22	1	082520	BAR,FIXED CLOSING STIFFENER	
23	1	082530	PLATE,LEFT SIDE 82/8370	
24	1	082540	PLATE,RIGHT SIDE 82/8370	
25	1	082550	PLATE,INTERFACE 82/8370/4700	
26	2	082560	BAR,FOOT 4700/8270/8370	
27	2	082580	NUT,PIVOT 8200/8300	
28	1	082590	PIVOT,TOP PAPER GUIDE RIGHT	
29	1	082600	PIVOT,TOP PAPER GUIDE LEFT	
30	1	083040	BAR,FIXED CLOSING (3:1)	
31	1	083070	ASSY, BOOKSTOP 8300/8370	See Page 8
32	1	083080	ASSY, WIRE SUPPORT 8200/8300	See Page 9
33	1	083100	ASSY,RACK 8300/8370 NEW REV.	See Page 10
34	1	977370	LABEL,PAPER POINT GUIDE	Not Shown
35	1	982020	LABEL,BINDING INSTRUCTIONS	Not Shown
36	1	982030	LABEL,WIRE REST POSITION	Not Shown
37	1	982040	LABEL,BOOKSTOP POSITION	Not Shown
38	1	982090	COVER,REAR	
39	2	982100	PLATE,WIRE POSITION LABEL	
40	1	982160	LABEL,TABLE HEIGHT ADJUSTMENT	Not Shown
41	1	982190	LABEL,ARROW 8200/8300/8318	Not Shown
42	1	982200	LABEL,CLOSING IND. WHOLE LEFT	Not Shown
43	1	982210	LABEL,CLOSING IND. WHOLE RIGHT	Not Shown
44	1	982230	GUIDE,TOP PAPER GUIDE	
45	1	983000	LABEL,41 LOOP POSITION,8300	Not Shown
46	1	983010	LABEL,PAPER POSITION 8300	Not Shown
47	1	983410	LABEL,HD-8370	Not Shown

PDI Performance Design Inc.

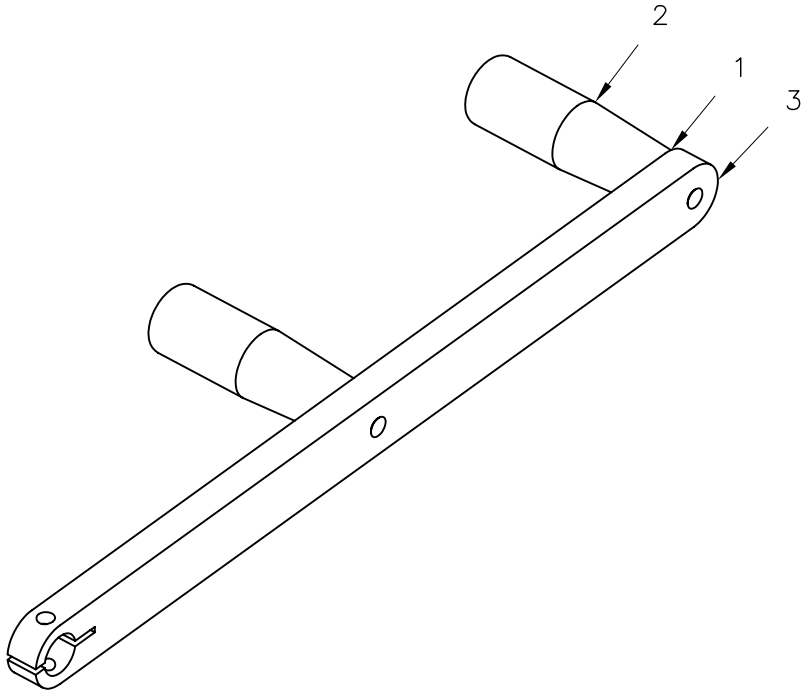
2350 E. Braniff, Boise, Idaho 83716 / 800-390-5782 / PDI@PDIBIND.com / www.RHIN-O-TUFF.com

HD-8370 PARTS BOOK

Page 3

PDi P/N 082340

- Assembly, Handle -



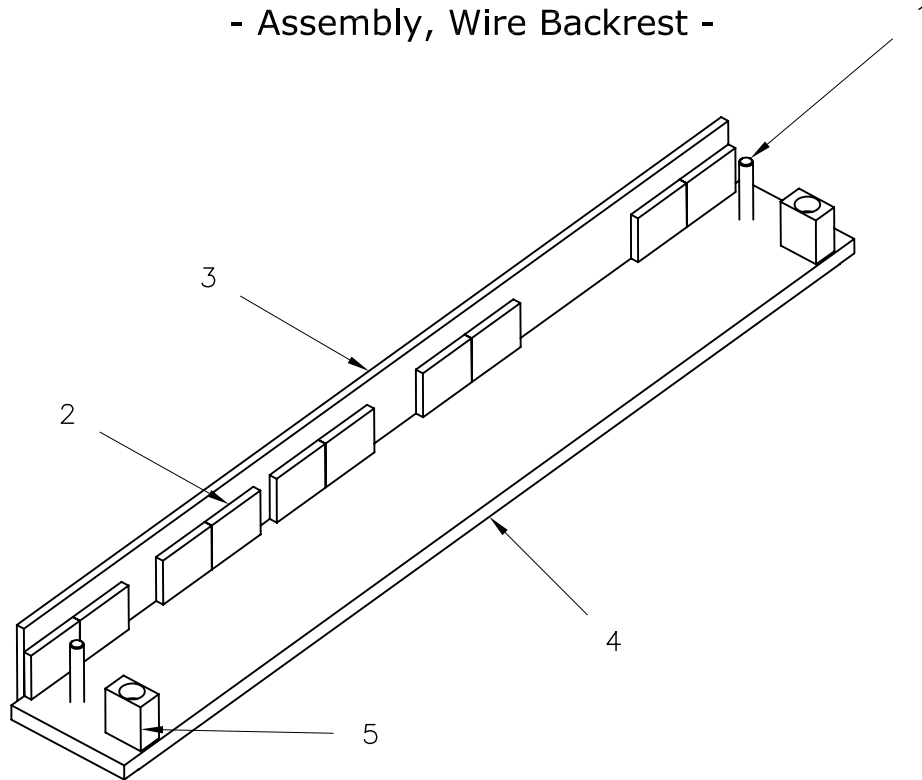
Parts List				
ITEM	QTY	PART NUMBER	DESCRIPTION	NOTE
1	2	003080	WASHER,SAE 5/16 FLAT	
2	2	080130	HANDLE,GRIP	
3	1	082270	HANDLE,CLOSER	

HD-8370 PARTS BOOK

Page 4

PDi P/N 082350

- Assembly, Wire Backrest -



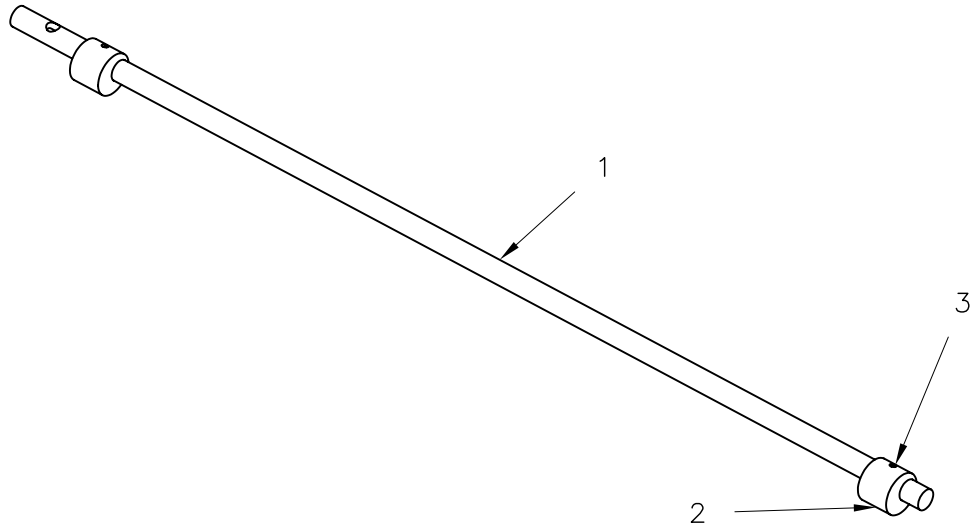
Parts List				
ITEM	QTY	PART NUMBER	DESCRIPTION	NOTE
1	2	001064	PIN,DOWEL 3/16 X 1.1/4	
2	10	001449	MAGNET,3/4 X 1 X 1/8"	
3	1	082280	PLATE,WIRE SUPPORT BOTTOM	
4	1	082290	PLATE,WSB SLIDE	
5	2	082490	BLOCK,CAM STOP	

HD-8370 PARTS BOOK

Page 5

PDi P/N 082360

- Assembly, Closer Camshaft -



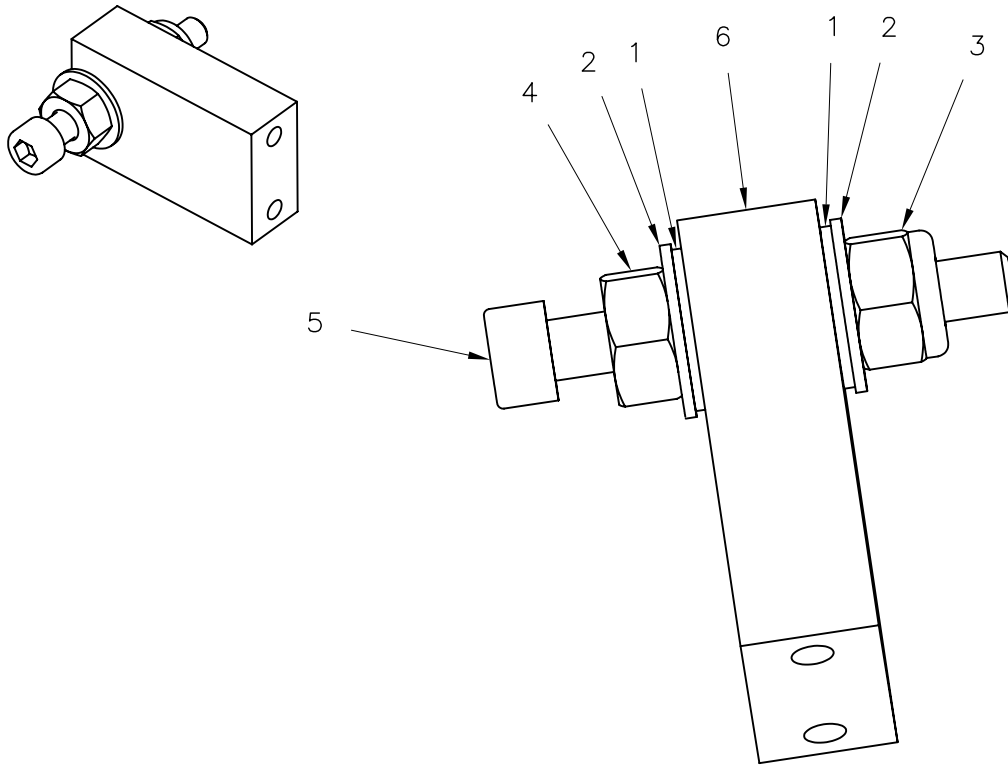
Parts List				
ITEM	QTY	PART NUMBER	DESCRIPTION	NOTE
1	1	082110	CAMSHAFT,CLOSER	
2	2	082310	CAM.CLOSER	
3	2	001060	PIN,ROLL 3/32 X 1/2"	

HD-8370 PARTS BOOK

Page 6

PDi P/N 082370

- Assembly, Adj Block -



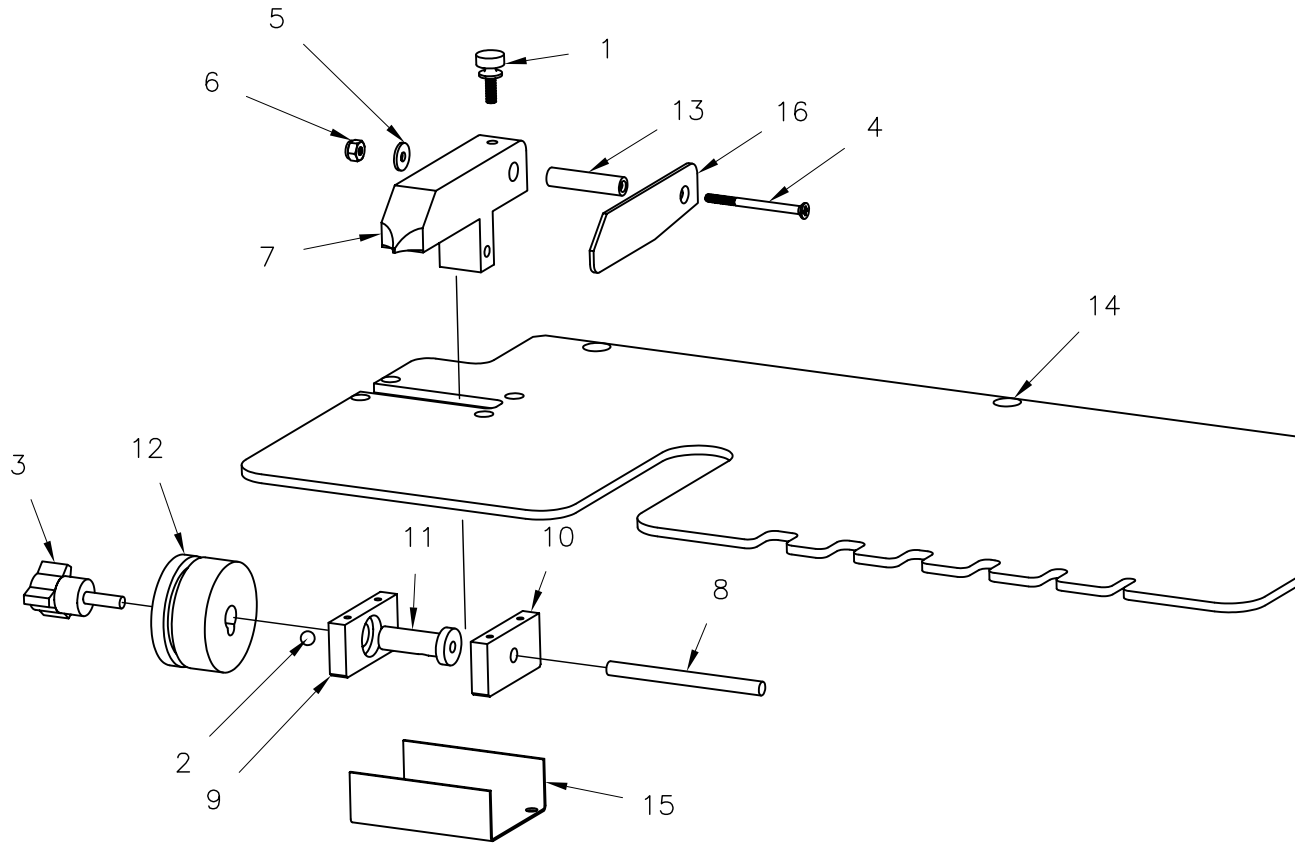
Parts List				
ITEM	QTY	PART NUMBER	DESCRIPTION	NOTE
1	2	001262	WASHER,NYLON 3/16ID 7/16OD	
2	2	001444	WASHER,BELLEVILLE SERRATED	
3	1	004030	NUT,NYLOCK 8-32	
4	1	004040	NUT,8-32 FINISH	
5	1	005230	SC,SHCS 8-32 X 1.3/8 ALLOY	
6	1	082320	BLOCK,JACKING FIXED TOOL	

HD-8370 PARTS BOOK

Page 7

PDi P/N 082380

- Assembly, Table -



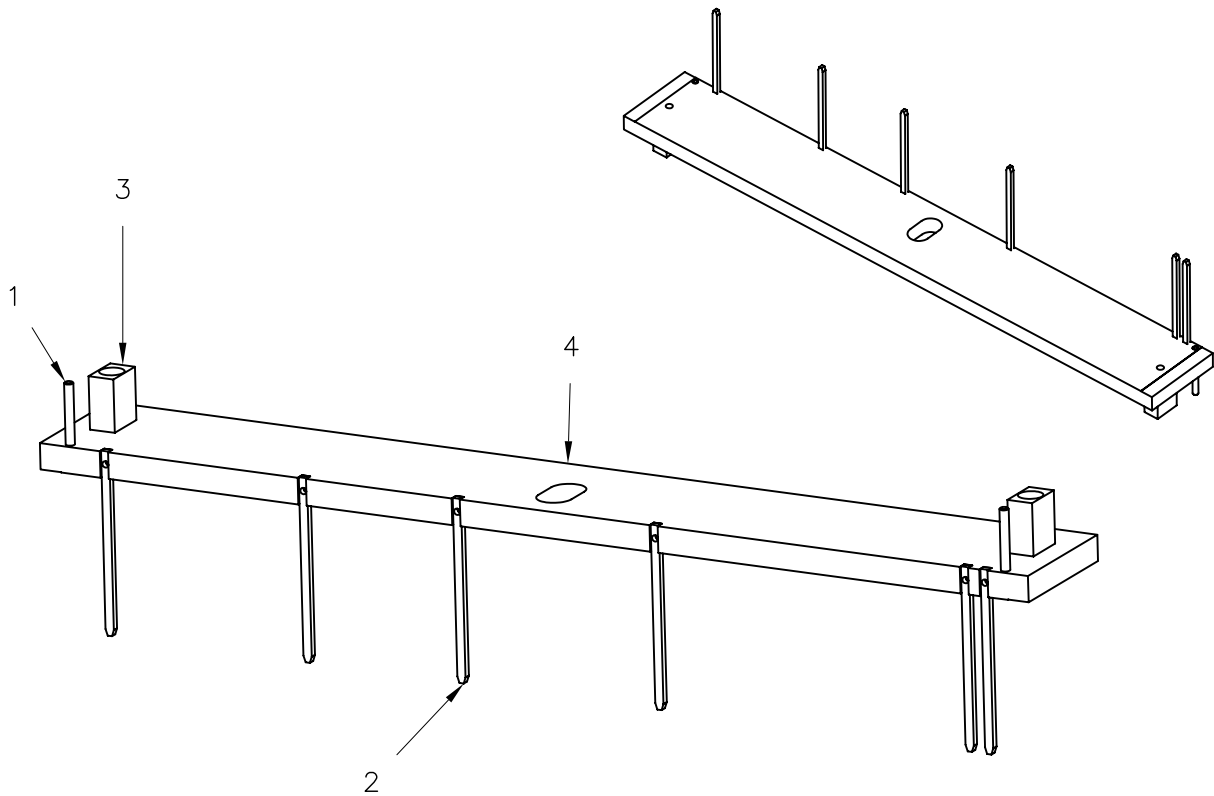
Parts List				
ITEM	QTY	PART NUMBER	DESCRIPTION	NOTE
1	1	001010	SC,THUMB 8/32 X 3/8 BRASS	
2	1	001101	BALL,STEEL 3/16"	
3	1	002210	KNOB,8-32 X 9/16 PLASTIC 3LUG	
4	1	002312	SC,PFHMS 4-40 X 1 1/2	
5	1	003250	WASHER,#4 FLAT	
6	1	004050	NUT,NYLOCK 4-40	
7	1	082180	STOP,PAPER	
8	1	082190	SHAFT,PAPER ADJUSTMENT	
9	1	082220	MOUNT,PAPER ADJ. OUTSIDE	
10	1	082230	MOUNT,PAPER ADJ. INSIDE	
11	1	082240	SHAFT,ADJ. KNOB LOCK	
12	1	082260	KNOB,CAMSHAFT	
13	1	082330	SHAFT,COVER STOCK ADJUSTMENT	
14	1	982070	PLATE,BOOK SUPPORT	
15	1	982080	COVER,PAPER ADJUSTMENT	
16	1	982120	PLATE,COVER STOCK ADJUSTMENT	

HD-8370 PARTS BOOK

Page 8

PDI P/N 083070

- Assembly, Bookstop -



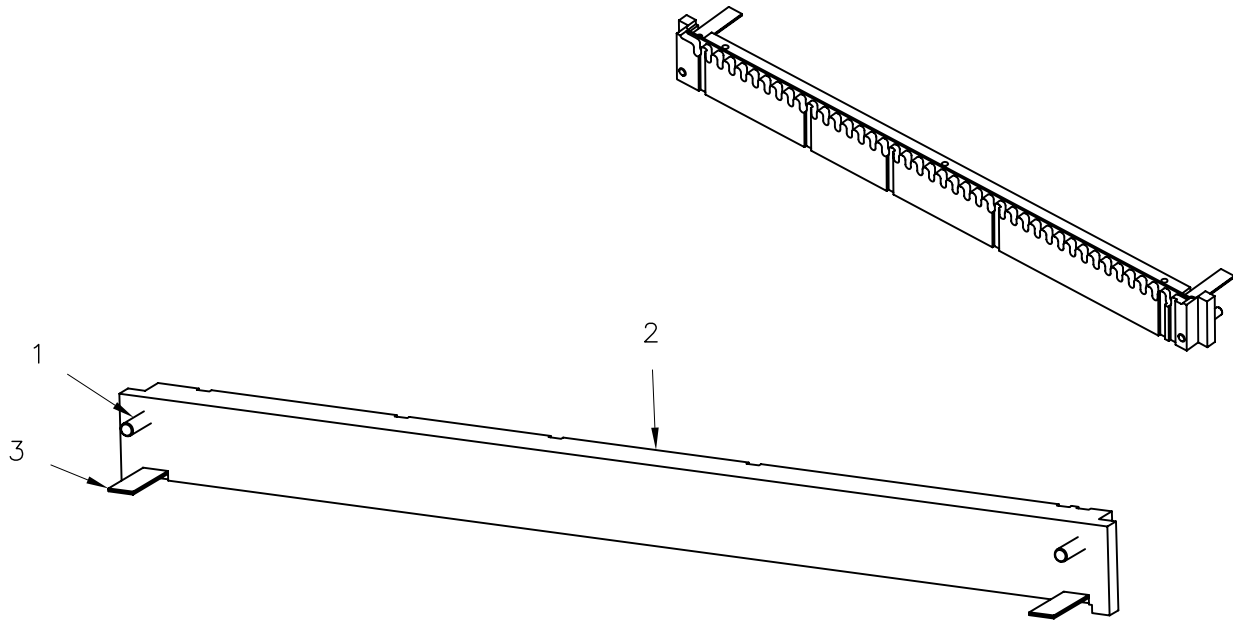
Parts List				
ITEM	QTY	PART NUMBER	DESCRIPTION	NOTE
1	2	001438	PIN,DOWEL 1/8 X 1 1/4"	
2	6	082060	FINGER,BOOK STOP	
3	2	082490	BLOCK,CAM STOP	
4	1	083050	BAR,BOOK STOP SLIDE (3:1)	

HD-8370 PARTS BOOK

Page 9

PDI P/N 083080

- Assembly, Wire Support -



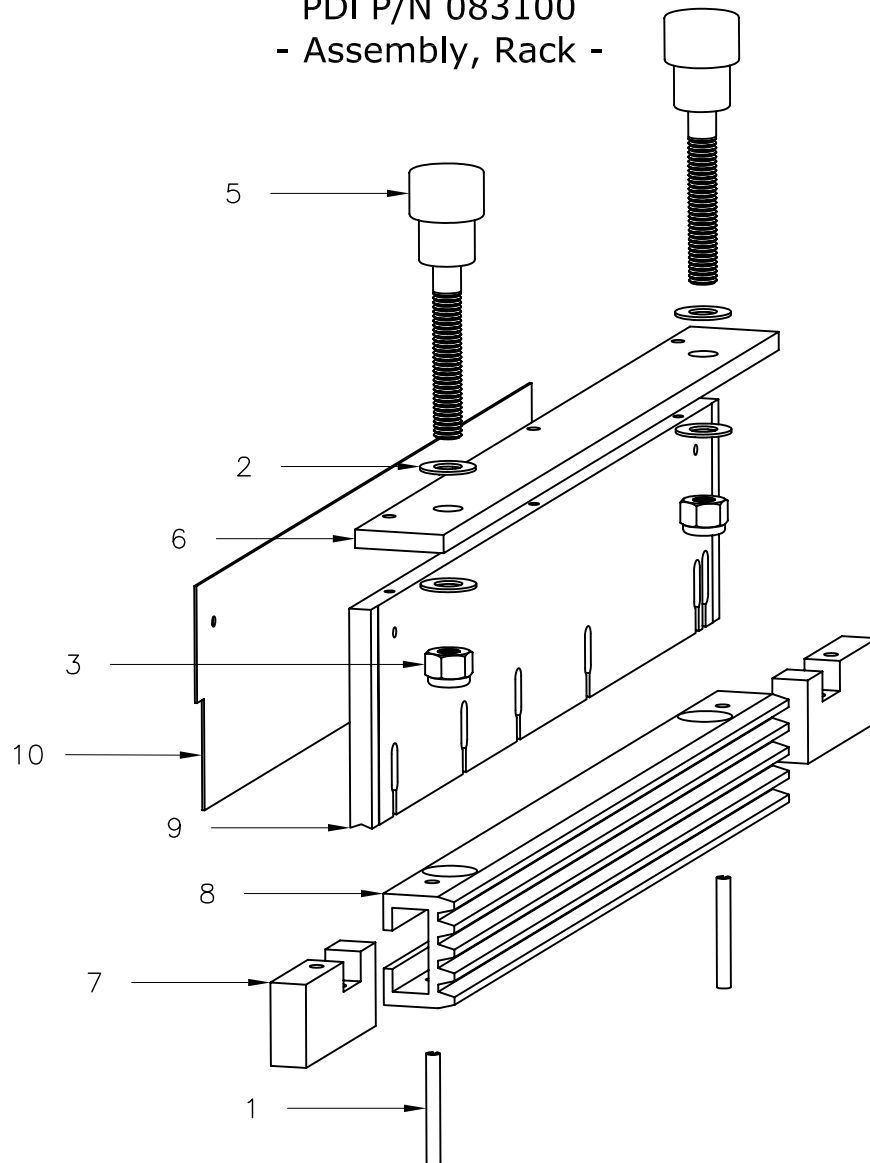
Parts List				
ITEM	QTY	PART NUMBER	DESCRIPTION	NOTE
1	2	001064	PIN,DOWEL 3/16 X 1.1/4	
2	1	083030	BAR,FRONT PAPER GUIDE (3:1)	
3	4	982110	SPRING,TABLE LEAF	

HD-8370 PARTS BOOK

Page 10

PDi P/N 083100

- Assembly, Rack -



Parts List				
ITEM	QTY	PART NUMBER	DESCRIPTION	NOTE
1	2	001089	PIN,ROLL 3/16 X 1.1/2	
2	4	001224	WASHER,NYLON 3/8 ID X .750 OD	
3	2	004020	NUT,NYLOCK 3/8-16	
5	2	080280	SCREW,ADJUSTMENT 8000/4200	
6	1	082070	PLATE,ACTUATED CLOSING BAR LOC	
7	2	082130	BAR,RACK BACK-UP	
8	1	082140	RACK (8200,8300)	
9	1	083010	PLATE,ACTUATED CLOSING (3:1)	
10	1	982220	COVER,TOP PAPER GUIDE	