

OD-4100 12” Coiler Operator’s Training Manual



Issue “0” 07/05
PDI Part # 941010

Performance Design Inc.
2350 East Braniff St.
Boise Idaho 83716

***This manual contains very important safety information
and must be read!***

OD 4100 Operator's Training Manual

Issue "0" 07/05

The OD 4100 12" Coiler will greatly increase productivity by converting your OD 4300 Coiler into a 12" dual powered roller coiler, the OD 4100 uses the same coil gripping roller as the Heavy Duty-4170 Rhin-O-Roll. An in-depth look at the set up procedures necessary to achieve maximum results follows.

The OD 4100 12" Coiler attaches to the Performance Design Inc. OD 4300 Coiler. This manual discusses all of the necessary steps to use and care for your machine.



OD 4100 12" Coiler shown mounted to the OD 4300 Coiler with the OD 4800 Manual Punch. The OD 4100 12" Coiler will also operate in conjunction with the OD 4000 and OD-4012 Punch, and also with an OD 3500 Workstation (all with the OD 4300 Coiler).

Table of Contents

Chapter:	Page Number:
1) Important safety notice!	4
2) Overview of your HD-4100 12” Coiler.	5
➤ Adjustable Roller.	
➤ Upper Roller.	
➤ Lower Roller Adjustment Knobs.	
➤ Integrated Power Cord and Foot Pedal.	
➤ Motor Backstop Block.	
➤ Left Handed Roller Stop.	
➤ Warrant Registration Card.	
3) Placing the OD 4100 12” Coiler in the proper location.	6
4) Mounting the OD 4100 12” Coiler onto the OD 4300 Coiler.	7
5) Binding and Crimping.	10
6) Trouble Shooting.	12
7) Cleaning the HD-4100 12” Coiler.	12

Important Safety Notice!

Make sure you read this section very carefully! Learn to recognize this **Safety Alert Symbol**. The OD 4100 12" Coiler has been designed to provide a very high level of protection for the operator. Follow the guidelines below while installing, operating and maintaining your machine. Read this manual and keep and file this manual for future use.



- Never attempt to service your machine unless you are a qualified Technician. There are no user serviceable parts inside the OD 4300 Coiler or the provided foot pedal for use with the OD 4100, **NEVER REMOVE COVER** of the foot pedal doing so may result in personal injury!!!



- Never operate the OD 4100 12" Coiler and the OD 4300 Coilers if the provided power cord does not fit your outlet. Power cord shall be certified for the country where the machine will be installed.



- Never operate your OD 4300 with the original power cord while operating the OD 4100 12" Coiler. Always use the provided fused foot pedal with the OD 4300 Coiler while operating the OD 4100 12" Coiler.



- **In case of any emergency use the power cord as the main power Cutoff!!! i.e. Pull the cord to kill power.**
- Refer to the OD 4300 Coiler Manual for operating information for the OD 4300 Coiler.

Overview of the HD-4100 12" Coiler;

See Illustration 2.0.

The OD 4100 12" has many useful features to increase your coil binding productivity.

1. **Adjustable Lower Roller:** The Adjustable Lower Roller supports the lower side of the coil while binding.
2. **Upper Roller:** The soft Upper Roller grabs the coil and spins it into the book quickly and effectively.
3. **Lower Roller Adjustment Knobs:** Allows for adjusting the position of the lower roller.
4. **Integrated Power Cord and Foot Pedal:** For use with your OD 4300 while operating the OD 4100 12" Coiler.
5. **Motor Backstop Block:** Provides accurate positioning of both OD 4100 12" Roller Machine and the OD 4300 Motor assembly when both machines are assembled together.
6. **Left Handed Roller Stop:** A new feature that allows the small roller to be positioned above the large roller that may help some users with large coils to be done left handed.
7. **Warranty Registration Card:** Please fill this out immediately and mail in. **Product registration is important to establish trouble free warranty repair** of any of your Rhin-O-Tuff equipment. Please fill out and mail in the card provided with your machine or register on-line at www.RHIN-O-TUFF.com ; then select Support then Warranty. For repair, service, supplies, or any other help, contact your dealer.

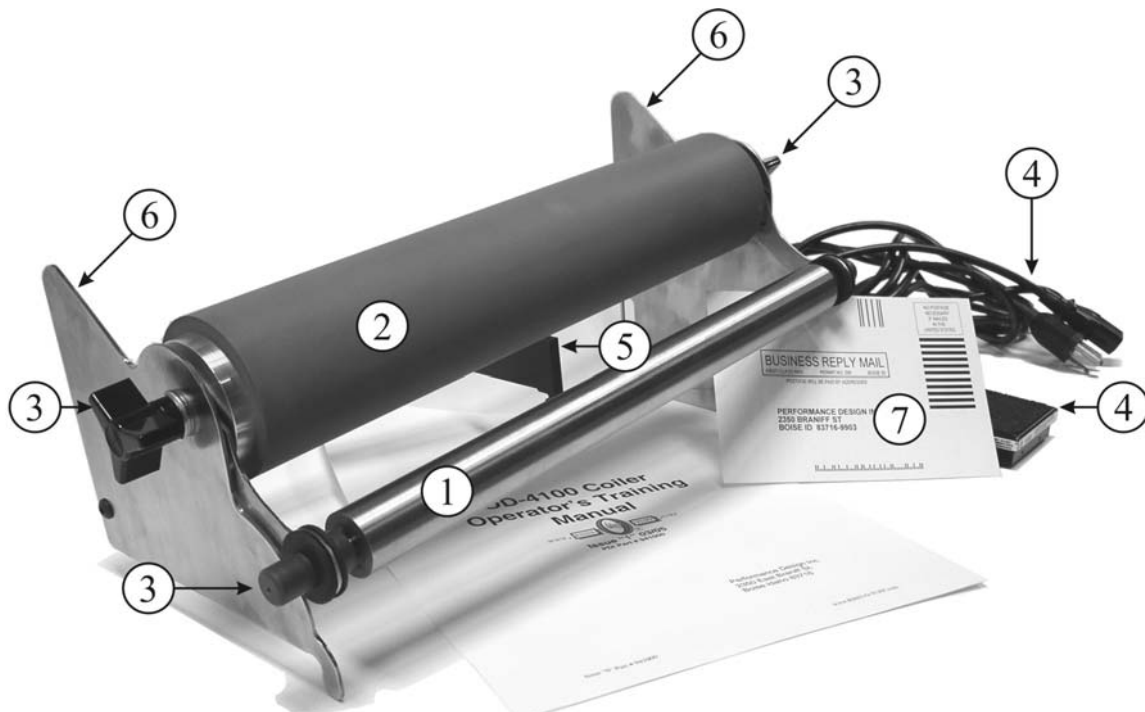


Illustration 2.0

Placing the OD 4100 12" Coiler in the proper location;

The OD 4100 12" Coiler will be mounted to your OD 4300 Coiler with an outlet within 5 feet that provides a 15-amp service (16-amp European) which is protected at the customer's circuit box. The work area must be a solid, firm cabinet or a heavy duty table with a flat level surface. **Power cord shall be**



certified for the country where the machine will be installed and must be the OD 4100 12" Coiler compatible cable with the built-in foot pedal! The OD 4300 Coiler is not rated for continuous use and using the original OD 4300 Coiler power cord may

harm your OD 4300 Coiler.

Mounting the OD 4100 12" Coiler onto the OD 4300 Coiler;

See Illustration 4.0.

Your OD 4100 12" Coiler requires mounting to the OD 4300 Coiler to operate (shown to the right of the OD 4800 Punch). However your OD 4300 Coiler can be mounted to either the OD 3500 Workstation, the OD 4000 Electric Punch, the OD 4012 Electric Punch, or the OD 4800 Manual Punch. This manual shows the OD 4800 Manual Punch.

The OD 4100 12" Coiler mounts to easily and is removed easily from the OD 4300 Coiler. These instructions describe mounting the OD 4100 12"; simply reverse the operations to remove the OD 4100 12" Coiler.

Always store the OD 4100 12" Coiler in a drawer, cabinet, or original shipping box when not mounted to the OD 4300 Coiler to avoid damaging the machine.

Before you mount the OD 4100 12" Coiler a few changes must be made to the OD 4300 Coiler.

1. Unplug the OD 4300 Coiler power cord from machine and the wall outlet, then store for future use.
2. Completely unscrew the large 3-winged knob and washer and set-aside.
3. Remove the mandrel holder and set-aside.
4. Set the power switch to REV (reverse).
5. Unscrew (counter clockwise) the brass motor set screw until...
6. The motor can be pulled to its most forward position. Do not remove brass screw. The motor will fall back to the rear position when released.
7. Remove OD 4300 Paper Stops (not shown).
8. Removal of the OD 4300 Plexiglas Book Table and Knob is optional.

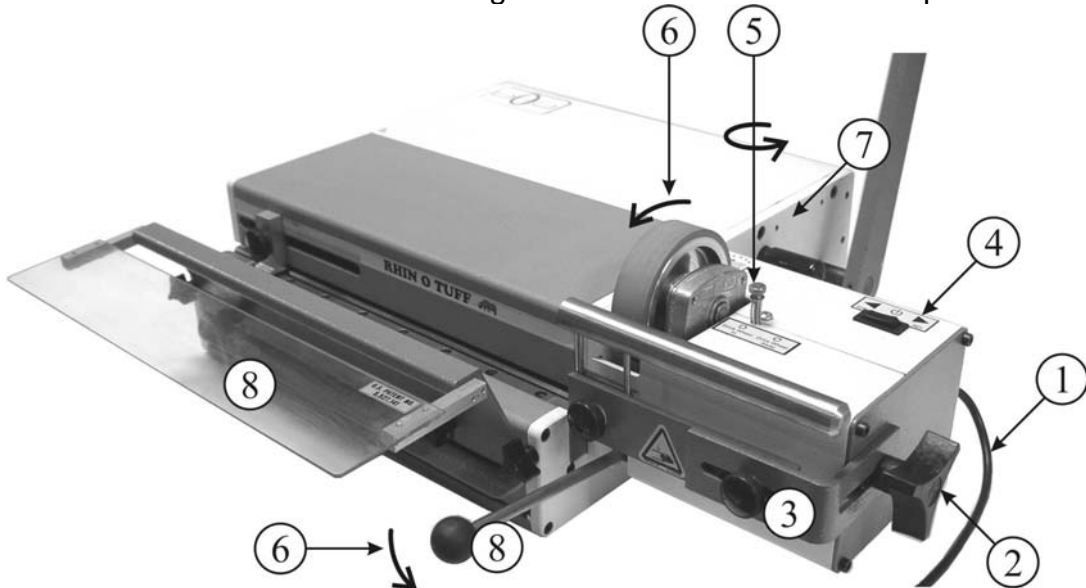


Illustration **4.0**

Chapter 4 Continued;

See Illustration 4.1.

Before mounting the OD 4100 12" Coiler, place the small roller in its upper (1) position if it was not shipped in that position by loosening the 3-wing knobs on each end of the OD 4100 12" Coiler then swing the small roller up. Place the OD 4100 12" Coiler over the OD 4300 Coiler wheel (2) as shown. The right end of the OD 4100 12" Coiler has slots (3) that fit over screw heads and threaded stud features on the OD 4300 Coiler. Next, pull the OD 4300 Coiler motor forward (4), then push the Motor Backstop Block (5) down behind the motor until it locks its hook under the cover of the OD 4300 Coiler. Release the OD 4300 Coiler motor and allow it to fall (6) against the Motor Backstop Block. Retighten the brass screw (7) (clockwise) until it is just finger tight.

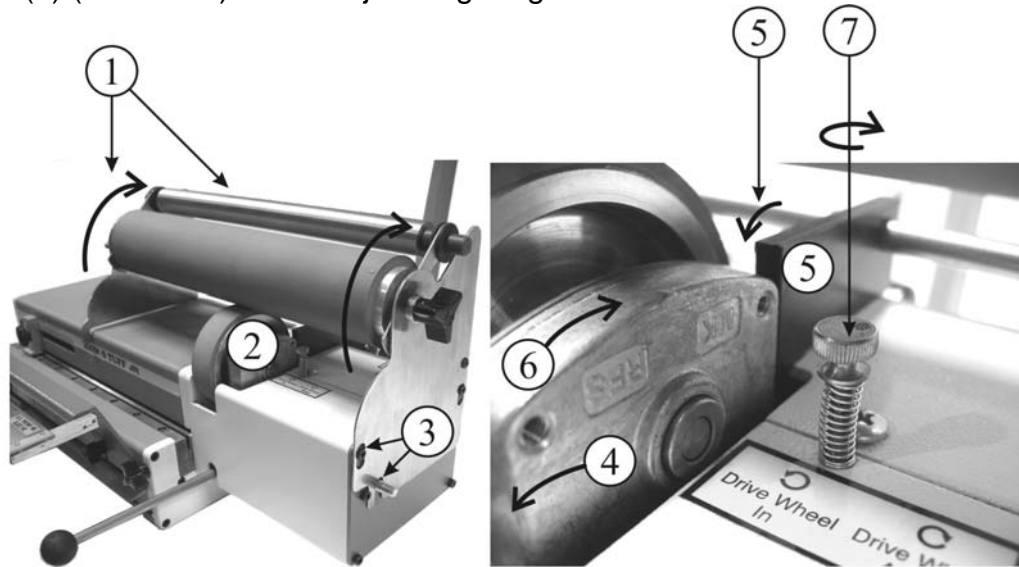


Illustration 4.1

Chapter 4 Continued;
See Illustration 4.2.

Before replacing the mandrel holder (3) (Optional) it may be necessary to remove the mandrel (1) if it is too large and interferes with the OD 4300 Coiler wheel (2). Replace the 3-wing knob and washer (4). Before tightening the 3-wing knob (4) tilt the rear-right of the OD 4100 12" Coiler up (5) slightly until the left side of the OD 4100 12" Coiler sits firmly on the OD 4800 Punch top cover (6) and still rests on the OD 4300 Coiler wheel (2). Tighten 3-wing knob (4). Place the OD 4100 12" Coiler small roller into the lower position resting on the OD 4300 Coiler Roller (2).

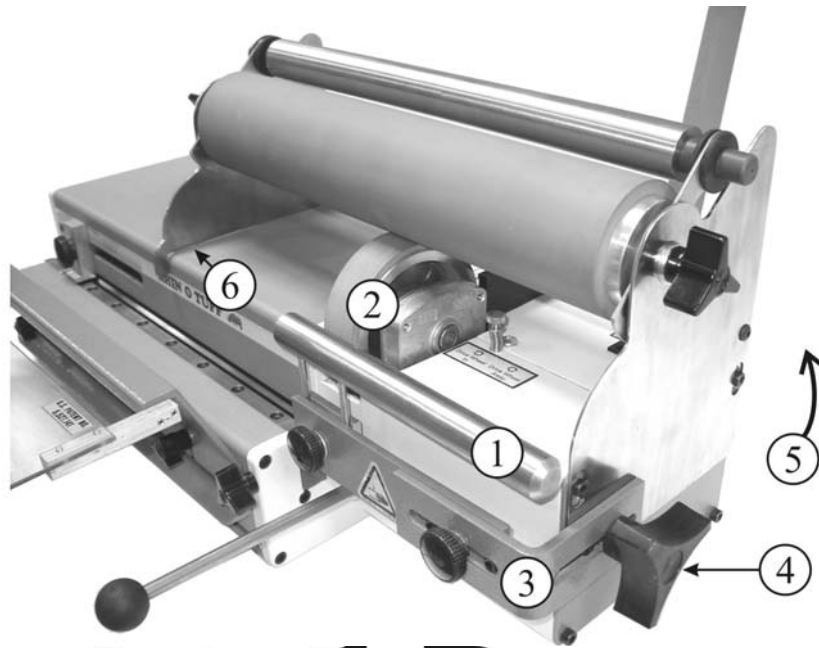


Illustration **4.2**

Note: You can still use the punch while the OD 4100 12" Coiler is installed.

Binding and Crimping;

See Illustration 5.0.

The OD 4100 12" Coiler has three primary settings, the extreme Inward setting (1) for 5MM to 13MM books, then the extreme outward setting (2) for 23MM to 33MM books, and also the middle setting (3) for 14MM to 22MM books. The middle setting is found when the back of the small roller adjustment arm becomes flush with the side plate on both sides of the machine as shown (3). This is "Right Handed Coiling" (4).

An alternative setting for large books 33MM and larger can be tried by placing the small roller in the "up" position (5). This is called "Left Handed Coiling" (5). Place the OD 4300 Coilers power switch in the "Forward" position, then after starting the coil in the left end of the book by hand, place the book on top of the large roller against the small roller. The advantage to the "Left Handed Coiling" on large books is that you can see the coil dive into the binding holes (6) as you coil, allowing you to see and correct coiling problems with large books on the go.

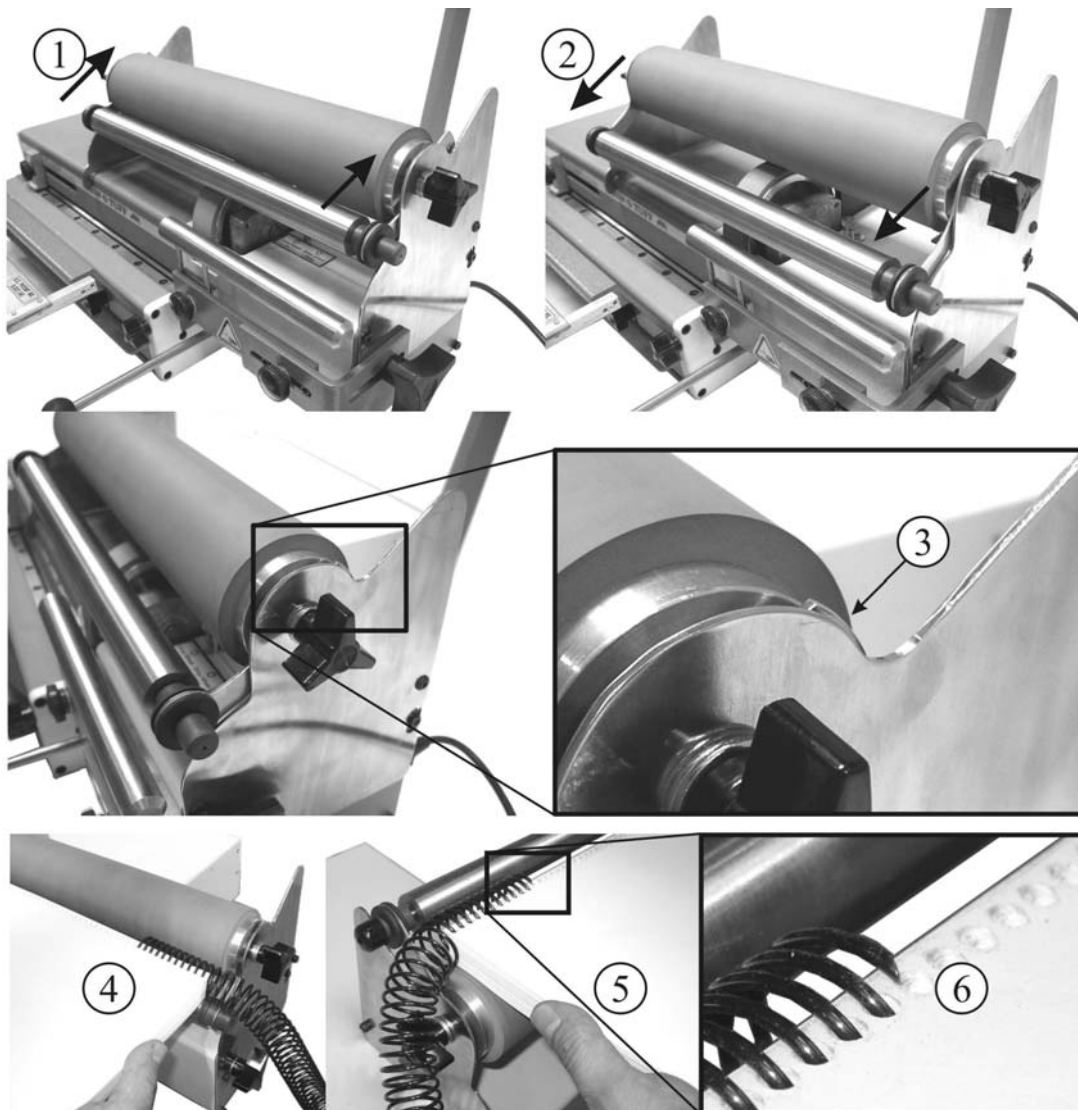


Illustration 5.0

Chapter 5 Continued;

To bind normally, firmly grab the book from the Start Coil position with both hands at each end of the book up near the binding edge. Without shifting the form of your book, pick the book up and roll it into binding position between the top and lower roller. Gently push the started coils against both top and lower roller. The top roller will grab the coil and spin it into your book.

See Illustration 5.1.

Once you have coiled your book crimping is made easy with the crimping pliers provided with your OD 4300 Coiler. Orient your book with the coiled side toward you (1) as shown, then on the right end of the book (1) as shown, orient the pliers with the dot (2) facing up. Open the pliers and grasp them around the first coil that exits the book (3). While keeping the pliers horizontal and level with the book, snip the coil through. The pliers will finish the coil with a "L" shaped end (4) facing the book. This helps the coil from backing out of the book. Now you can flip the book over, keeping the coils toward you and repeat this same crimping technique to complete the book. Or you can keep the book stationary and flip the pliers over, move to the opposite end of the book and crimp the last coil that exits the book to complete the book.

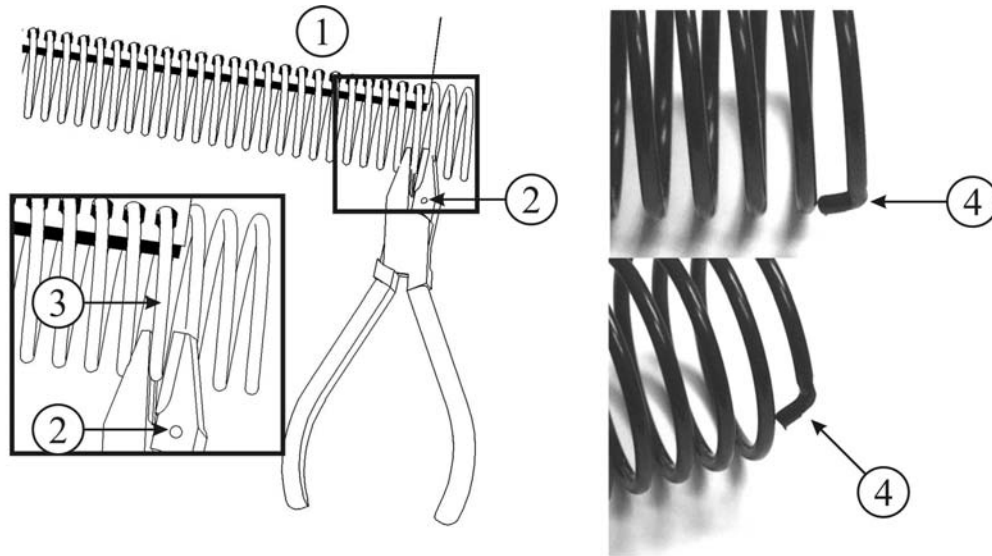


Illustration **5.1**

Trouble Shooting;

Only qualified personnel should attempt to work on this equipment!



Most of the problems you may encounter are due to setup problems. There is one fuse on the OD 4300 Coiler that can be replaced by the customer. There is an integral built-in fuse within the foot pedal for the OD 4100 operation of the OD 4300. This fuse is rated higher than the OD 4300 fuse and unless there is a dead short in the power cord it should never blow. Below is a trouble shooting guide to help you through most of the problems that may be encountered.

Trouble Shooting

Symptom	Possible Cause	Action
Upper and Lower Rollers do not rotate.	1) Machine is off. 2) Machine is not plugged in. 3) 4300 Blown fuse. 4) 4100 wheels to not touch 4300 wheel. 5) 4300 will not operate with 4100 foot pedal. 6) 4300 will not operate with 4100 foot pedal.	1) Place switch in the "Rev" position. 2) Check both ends of the power cord. 3) Check and replace fuse. 4) Setup 4100 again so that wheels contact. 5) The 4100 foot pedal has an integral built-in fuse that has blown. Call your dealer for a replacement. 6) Make sure the motor backstop block is in place.
Coil tightens on the book.	1) Coil is too small for the book.	1) Check proper size of coil.
Coil stops before it is completely through the book.	1) The holes in the book are misaligned.	1) This is normal. Try moving the book around so the coil rotates in the holes
4300 runs continuously.	1) Using the wrong power cord.	1) Use the power cord with the built-in foot pedal that came with the 4100.

Cleaning the HD-4100 12" Coiler;

Caring for your OD-4100 12" Coiler is important for the proper function of the machine. The large roller should be cleaned with a rubber cleaner and rejuvenator-dampened cloth. Cleaning the OD 4300 Coiler's wheel with rubber cleaner and rejuvenator-dampened cloth is recommended also.